



Network

Dome

XNV-6123R

2MP AI IR Vandal Dome Camera



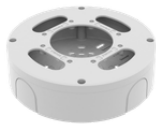
Key Features

- Maximum 2MP resolution
- 0.03Lux@F1.6 (Color), 0Lux (B/W, IR LED on)
- Day & Night (ICR), WDR (150dB)
- Hallway View, WiseNR II (Based on AI engine), WiseStream III (Based on AI engine) Support
- Analytics events based on AI engine (NPU) : Object detection (Person/Face/Vehicle - car, truck, bus, bicycle, motorcycle/License plate)
- Analytics events : Defocus detection, Motion detection, Tampering, Fog detection
- Audio detection, Sound classification, Shock detection, Appear/Disappear
- PoE, 12VDC
- IP66/IP67/IP6K9K, NEMA4X, IK10+

Compatible Devices



SBP-180HMW1



SBV-180BW



SBV-180WW



SBP-150CMI



SBP-300CMI



SBP-300CMW1



SBP-900CMW



SBP-300CMTW



SBP-300CMTS



SBP-300WMW



SBP-300WMW1



SBP-390WMW2



SBD-180PMW



SBP-300PMW2

XNV-6123R

2MP AI IR Vandal Dome Camera



Specifications

| Video | | |
|-------------------------------|---|--|
| Imaging Device | Size | 1/2.8" |
| | Type | CMOS |
| Resolution | 1920x1080, 1280x1024, 1280x960, 1280x720, 1024x768, 800x600, 800x448, 720x576, 720x480, 640x480, 640x360, 320x240 | |
| Max. Framerate | H.265/H.264 | 120fps/100fps(60Hz/50Hz)(WDR off) / 60fps/50fps(60Hz/50Hz)(WDR on) |
| | MJPEG | 30fps |
| Min. Illumination (Lux) | Color(1/30sec, 30IRE) | 0.03 |
| | BW(1/30sec, 30IRE) | 0.003 |
| Video Out | CVBS: 1.0 Vp-p / 75Ω composite for installation, USB: Micro USB Type B | |
| Lens | | |
| Focal Length (mm) | 5.2~62.4 | |
| Zoom Ratio | Optical | 12x |
| | Digital | 32x |
| Max Aperture Ratio (F number) | Wide | 1.6 |
| | Tele | 3.0 |
| Angular Field of View | Horizontal | 55°~5° |
| | Vertical | 33°~3° |
| | Diagonal | 62°~6° |
| Min. Object Distance | 2.1m(6.89ft) | |
| Focus Control | Oneshot AF, Focus save | |
| Lens Type | DC auto iris | |
| Pan / Tilt / Rotate | | |
| Pan / Tilt / Rotate Range | Pan | 0°~360° |
| | Tilt | 0°~80° |
| | Rotate | 0°~355° |
| Sequence | Preset(300ea) | |

Operational

| | | |
|--|----------------|--|
| Day & Night | | Auto(ICR) |
| Backlight Compensation | | BLC, HLC, WDR, SDR |
| Wide Dynamic Range (dB) | | 150 |
| Digital Noise Reduction | | WiseNR II (Based on AI engine), SSNR V |
| Digital Image Stabilization | | Support(built-in gyro sensor) |
| Defog | | Support |
| Motion Detection | Quantity | 8ea |
| | Shape | 8point Polygonal zones |
| Privacy Masking | Quantity | 32ea |
| | Shape | 4point Quadrangle zones |
| | Color / Option | Gray, Green, Red, Blue, Black, White, Mosaic |
| Gain Control | | Off, Max gain, Manual |
| White Balance | | ATW, NarrowATW, AWC, Manual, Indoor, Outdoor |
| LDC | | Support(Fill/stretch mode) |
| Electronic Shutter | Mode | Minimum, Maximum, Anti flicker, Prefer shutter control(Based on AI engine) |
| | Speed Range | 2~1/12,000sec |
| Video Rotation | | Flip, Mirror, Hallway view(90°/270°) |
| Alarm Interface | In/Out | 2 configurable I/O ports |
| | Others | 12VDC output |
| Alarm Triggers | | Analytics, Network disconnect, Alarm input, App event, Time schedule, MQTT subscription |
| Alarm Events When Alarm Trigger Occurred | | File upload(image): e-mail/FTP/SFTP, File upload(video clip): FTP/SFTP, Notification: e-mail, Recording: SD/SDHC/SDXC or NAS recording at event triggers,Alarm output, Handover: PTZ preset,send message by HTTP/HTTPS/TCP,Audio clip playback, MQTT: publication |
| Audio In | | Selectable(mic in/line in) |
| Audio Out | | Line out |
| Light Type | | IR LED |
| Light Viewable Length | IR | WiseIR 90m(295.28ft) |
| IR Wavelength | | 850nm |

Analytics

| | | |
|------------------------|---------|--|
| Classified Object Type | | Person, Face, Vehicle, License plate |
| Attributes | Vehicle | Type(car, bus, truck, motorcycle, bicycle) |
| Thumbnail | | DetectionShot |

Analytics

| | | |
|------------------|--------------------|---|
| Analytics Events | Based on AI Engine | Object detection, Virtual line(Crossing/Direction), Virtual area(Loitering/Intrusion/Enter/Exit), Motion detection |
| | Normal | Defocus detection, Tampering, Fog detection, Audio detection, Sound classification, Shock detection, Virtual area(Appear/Disappear) |

Network

| | | |
|-----------------------------------|---|---|
| Ethernet | Metal shielded RJ-45(10/100/1000BASE-T) | |
| Video Compression | H.265/H.264: Main/Baseline/High, MJPEG | |
| Audio Compression | G.711 u-law /G.726 selectable,G.726(ADPCM) 8kHz,G.711 8kHz, G.726: 16kbps,24kbps,32kbps,40kbps, AAC-LC: 48kbps at 16kHz | |
| Smart Codec | Manual, WiseStreamIII | |
| Bitrate Control | H.265/H.264: CBR or VBR, MJPEG: VBR | |
| Streaming | Unicast | Up to 20 users |
| | Multicast | Support |
| | Multiple Streaming | Up to 10 profiles |
| Protocol | IPv4, IPv6, TCP/IP, UDP/IP, RTP(UDP), RTP(TCP), RTCP, RTSP, NTP, HTTP, HTTPS, SSL/TLS, DHCP, FTP, SFTP, SMTP, ICMP, IGMP, SNMPv1/v2c/v3(MIB-2), ARP, DNS, DDNS, QoS, UPnP, Bonjour, LLDP, CDP, SRTP(TCP, UDP Unicast), MQTT | |
| Application Programming Interface | ONVIF | S, G, T, M |
| | Others | SUNAPI(HTTP API), Hanwha Vision Open Platform |
| Direct Cloud Connection | Support | |

Security

| | | |
|------------------------|---|--|
| OS / Firmware Protect | Encrypted firmware, Secure boot, Signed firmware | |
| User authentication | Digest authentication, Prevent brute-force attack | |
| Network authentication | IEEE 802.1X(EAP-TLS, EAP-LEAP, EAP-PEAP, MSCHAPv2) | |
| Secure Communication | HTTPS, WSS(WebSocket Secure), SRTP | |
| Access Control | IP-based access control | |
| Data Protect | Encryption credentials, Encrypt compress for live recording file export | |
| Audit | Access / System / Event Log management | |
| Device ID | Device certificate(Hanwha Vision Root CA) | |
| Secure Storage | TPM(Trusted platform module), HTPM(Hanwha Trusted Platform Module), SDcard partition encrypt(AES-256) | |
| Security Certificate | TPM 2.0 with FIPS 140-2 level2 | |

General

| | | |
|--------------|--------------------|-------------------------------|
| Memory | RAM | 2GB |
| | Flash | 512MB |
| Edge Storage | Micro SD/SDHC/SDXC | Max. 512GB x 2slot(Total 1TB) |

General

| | | |
|-----------------------|--------------------|--|
| Edge Storage(OnCloud) | Micro SD/SDHC/SDXC | Max. 1TB x 2slots (Total 2TB) *Hanwha Vision branded microSD cards have been certified and recommended for OnCloud edge recording. |
|-----------------------|--------------------|--|

Environmental & Electrical

| | | |
|---------------------------|-------------|--|
| Operating Condition | Temperature | -40°C~+60°C(-40°F~+140°F) |
| | Humidity | 0~100% RH(condensing) |
| | Others | Start up should be done at above -30°C, Humidity control with AIR vent |
| Storage Condition | Temperature | -50°C~+60°C(-58°F~+140°F) |
| | Humidity | 0~90% RH(non-condensing) |
| Input Voltage | | PoE+(IEEE802.3at, Class4), 12VDC |
| Power Consumption | PoE | Max 19.5W, typical 15.5W |
| | 12VDC | Max 16.5W, typical 13.1W |
| Power Redundance Failover | | Support |

Mechanical

| | |
|-------------------------|------------------------------------|
| Color | White |
| Material | Aluminum, Hard-coated dome |
| RAL Code | RAL9003 |
| Product Dimensions | ø180x138mm(7.09x5.43") |
| Product Weight | 2,130g(4.70lb) |
| Compatible Conduit Hole | 19.1mm(3/4")(M25) |
| Compatible Gang Box | Single, Double, 4" Octagon, Square |

Certifications & Standards

| | |
|-------------|--|
| EMC | FCC 47 CFR 15 Subpart B Class A, ICES-3(A)/NMB-3(A), CE/UKCA - EN55032 Class A, EN 50130-4, EN 61000-3-2, EN 61000-3-3, VCCI CISPR 32 Class A, RCM AS-NZS CISPR 32 Class A, KS C 9832 Class A, KS C 9835 |
| Safety | UL 62368-1, CAN/CSA C22.2 NO. 62368-1, IEC 62471 |
| Environment | IEC/EN 63000, IEC 60529 IP66, IEC 60529 IP67, ISO 20653 IP6K9K, IEC 62262 IK10+, NEMA TS 2-2013 (2.2.7, 2.2.8, 2.2.9), NEMA 250 type 4X |

DORI (EN62676-4 standard)

| | | |
|---------------------------|------|-------------------|
| Detect (25PPM/ 8PPF) | Wide | 73.8m(242.01ft) |
| | Tele | 879.5m(2885.51ft) |
| Observe (63PPM/ 19PPF) | Wide | 29.5m(96.81ft) |
| | Tele | 351.8m(1154.21ft) |
| Recognize (125PPM/ 38PPF) | Wide | 14.8m(48.40ft) |
| | Tele | 175.9m(577.10ft) |
| Identify (250PPM/ 76PPF) | Wide | 7.4m(24.20ft) |
| | Tele | 88.0m(288.55ft) |

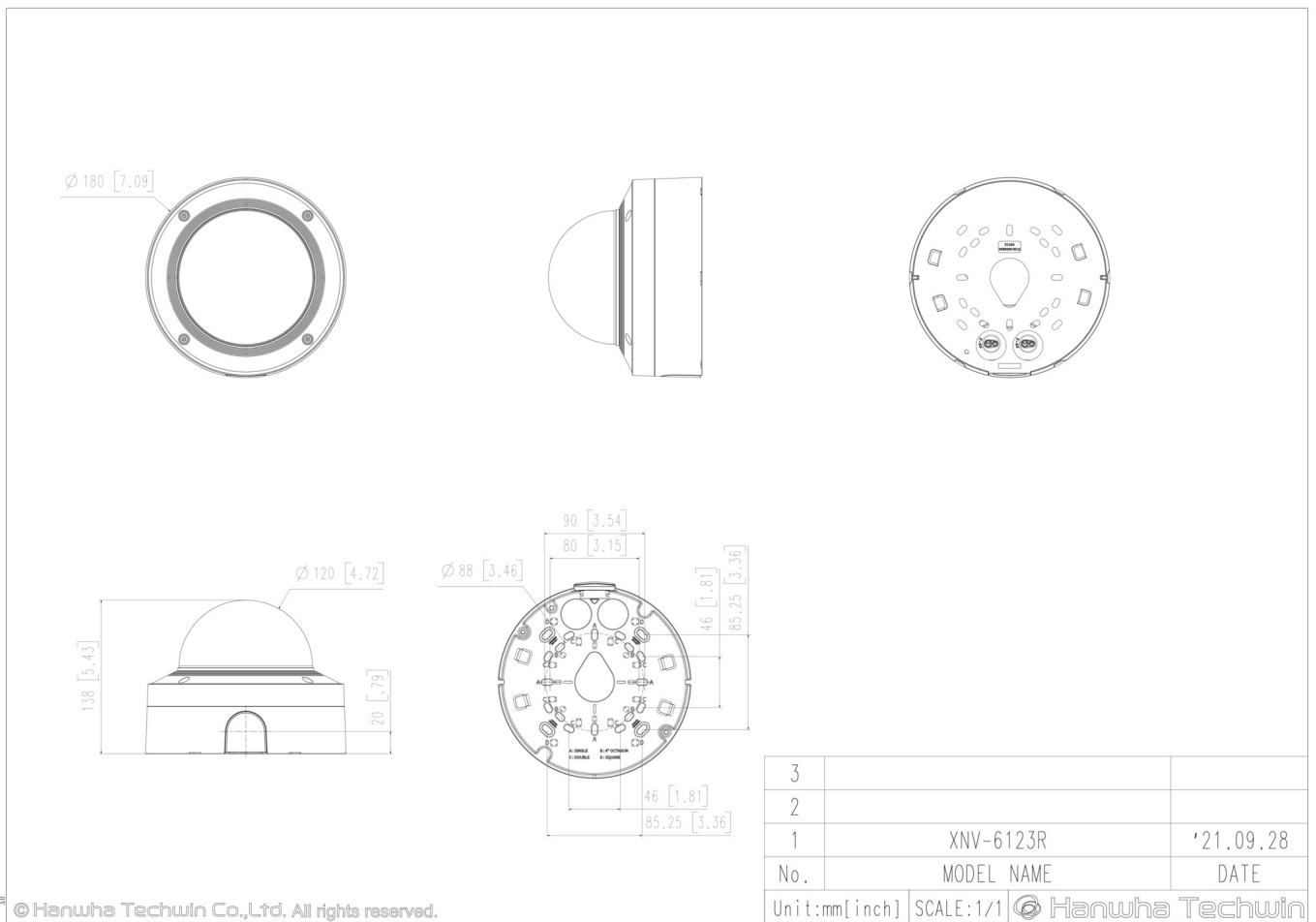
XNV-6123R

2MP AI IR Vandal Dome Camera



CAD

Unit: mm [inch]



© Hanwha Techwin Co.,Ltd. All rights reserved.

© Hanwha Techwin