



Network

PTZ

# XNP-C9253R

4K 25x AI IR PTZ PLUS Camera



## Key Features

- Max. 8MP resolution
- 5~125mm(25x) zoom (digital 32x, total 800x zoom)
- Day & Night (ICR), extreme WDR, DIS (Built-in gyro sensor)
- Intelligent Analytics, Object auto tracking (Person/Vehicle), Target lock tracking
- H.264, H.265, MJPEG codec, WiseStream II
- IP66, IK10, NEMA4X, NEMA-TS 2 (2.2.8, 2.2.9)
- PTZ PLUS Design applied (Compact, Lighter, Simple cabling)

# XNP-C9253R

4K 25x AI IR PTZ PLUS Camera



## Specifications

Video		
Imaging Device	Size	1/2.8"
	Type	CMOS
Resolution	3840x2160, 2592x1944, 2592x1464, 1920x1080, 1600x1200, 1280x1024, 1280x960, 1280x720, 1024x768, 800x600, 800x448, 720x576, 720x480, 640x480, 640x360, 320x240	
Max. Framerate	H.265/H.264	30fps/25fps(60Hz/50Hz)
	MJPEG	30fps(@8MP Max. 5fps)
Min. Illumination (Lux)	Color(1/30sec, 30IRE)	0.1
	BW(1/30sec, 30IRE)	0.01
Lens		
Focal Length (mm)	5~125	
Zoom Ratio	Optical	25x
	Digital	32x
Max Aperture Ratio (F number)	Wide	1.6
	Tele	3.73
Angular Field of View	Horizontal	57.42°~2.71°
	Vertical	33.54°~1.55°
Min. Object Distance	5m(16.4ft)	
Focus Control	Oneshot AF, Focus save	
Lens Type	DC auto iris	
Pan / Tilt / Rotate		
Pan / Tilt / Rotate Range	Pan	360° Endless
	Tilt	90°~-20°
Pan Speed	Preset	Max. 700°/sec
	Manual	0.024°/sec~250°/sec
Tilt Speed	Preset	Max. 500°/sec
	Manual	0.024°/sec~250°/sec
Sequence	Preset(300ea), Swing, Group(6ea), Trace, Tour, Auto Run, Schedule	

## Pan / Tilt / Rotate

Preset Accuracy	Up to $\pm 0.1^\circ$ , Pan/Tilt correction
-----------------	---

## Operational

Direction Indicator	Support	
Day & Night	Auto(ICR)	
Backlight Compensation	BLC, HLC, WDR, SSSDR	
Wide Dynamic Range (dB)	120	
Digital Noise Reduction	WiseNR II (Based on AI engine), SSNR V	
Digital Image Stabilization	Support(built-in gyro sensor)	
Defog	Support	
Motion Detection	Quantity	8ea
	Shape	8point Polygonal zones
Privacy Masking	Quantity	32ea
	Shape	4point Quadrangle zones
	Color / Option	Gray, Green, Red, Blue, Black, White, Mosaic
Gain Control	Off, Max gain, Manual	
White Balance	ATW, NarrowATW, AWC, Manual, Indoor, Outdoor, Mercury, Sodium	
Electronic Shutter	Mode	Minimum, Maximum, Anti flicker, Prefer shutter control(Based on AI engine)
	Speed Range	2~1/12,000sec
Video Rotation	Flip&Mirror	
Alarm Interface	Others	Support alarm I/O via optional I/O box
Alarm Triggers	Analytics, Network disconnect, Alarm input, Time schedule, MQTT subscription	
Alarm Events When Alarm Trigger Occurred	File upload(image): e-mail/FTP/SFTP, File upload(video clip): FTP/SFTP, Notification: e-mail, Recording: SD/SDHC/SDXC or NAS recording at event triggers,Alarm output, Handover: PTZ preset,send message by HTTP/HTTPS/TCP,Audio clip playback, MQTT: publication	
Audio In	Support via optional I/O box	
Audio Out	Support via optional I/O box	
Light Type	IR LED	
Light Viewable Length	IR	Wise IR 200m(656.17ft)
IR Wavelength	850nm	
Water Removal	Support(Spin Dry, Lens heater)	
Auto Tracking	Support, Object auto tracking(Person/Vehicle), Target lock tracking	

## Analytics

Classified Object Type	Person, Face, Vehicle, License plate	
Attributes	Vehicle	Type(car, bus, truck, motorcycle, bicycle)

## Analytics

Thumbnail		DetectionShot
Analytics Events	Based on AI Engine	Object detection, Virtual line(Crossing/Direction), Virtual area(Loitering/Intrusion/Enter/Exit), Motion detection
	Normal	Tampering, Fog detection, Audio detection, Sound classification, Shock detection, Virtual area(Appear/Disappear)

## Network

Ethernet		Metal shielded RJ-45(10/100BASE-T)
Video Compression		H.265/H.264: Main/Baseline/High, MJPEG
Smart Codec		Manual, WiseStreamIII
Bitrate Control		H.265/H.264: CBR or VBR, MJPEG: VBR
Streaming	Unicast	Up to 20 users
	Multicast	Support
	Multiple Streaming	Up to 10 profiles
Protocol		IPv4, IPv6, TCP/IP, UDP/IP, RTP(UDP), RTP(TCP), RTCP, RTSP, NTP, HTTP, HTTPS, SSL/TLS, DHCP, FTP, SFTP, SMTP, ICMP, IGMP, SNMPv1/v2c/v3(MIB-2), ARP, DNS, DDNS, QoS, UPnP, Bonjour, LLDP, CDP, SRTP(TCP, UDP Unicast), MQTT, NTCIP 1205
Application Programming Interface	ONVIF	S, G, T, M
	Others	SUNAPI(HTTP API), Hanwha Vision Open Platform
Direct Cloud Connection		Support

## Security

OS / Firmware Protect		Encrypted firmware, Secure boot, Signed firmware
User authentication		Digest authentication, Prevent brute-force attack
Network authentication		IEEE 802.1X(EAP-TLS, EAP-LEAP, EAP-PEAP, MSCHAPv2)
Secure Communication		HTTPS, WSS(WebSocket Secure), SRTP
Access Control		IP-based access control
Data Protect		Encryption credentials, Encrypt compress for live recording file export
Audit		Access / System / Event Log management
Device ID		Device certificate(Hanwha Vision Root CA)
Secure Storage		TPM(Trusted platform module), HTPM(Hanwha Trusted Platform Module), SDcard partition encrypt(AES-256)
Security Certificate		TPM 2.0 with FIPS 140-2 level2

## General

Memory	RAM	4GB
	Flash	512MB
Edge Storage	Micro SD/SDHC/SDXC	Max. 512GB x 2slot(Total 1TB)

## Environmental & Electrical

Operating Condition	Temperature	-40°C~+55°C(-40°F~+131°F)
	Humidity	0~100% RH(condensing)
	Others	+74°C(+165°F)(Max) based on NEMA-TS 2(2.2.7), Start up should be done at above -30°C, Humidity control with AIR vent
Storage Condition	Temperature	-50°C~+60°C(-58°F~+140°F)
	Humidity	0~90% RH(non-condensing)
Wind Load		241km/h(150mph)
EPA(Effective Projected Area)		0.035m <sup>2</sup>
Input Voltage		PoE++(IEEE802.3bt type3, Class6)
Power Consumption	PoE	Max. 40W, Typical 24W

## Mechanical

Color	White, Black
Material	Aluminum, PC(Polycarbonate), Hard-coated dome
RAL Code	RAL9003, RAL9005
Product Dimensions	ø158x293.3mm(6.22x11.55")
Product Weight	3200g(7.05lb)

## Certifications & Standards

EMC	FCC 47 CFR 15 Subpart B Class A, ICES-3(A)/NMB-3(A), CE/UKCA - EN55032 Class A, EN 50130-4, VCCI CISPR 32 Class A, RCM AS-NZS CISPR 32 Class A, KS C 9832 Class A, KS C 9835
Safety	UL 62368-1, CAN/CSA C22.2 NO. 62368-1, IEC 62471
Environment	IEC/EN 63000, IEC 60529 IP66, IEC 62262 IK10, NEMA TS 2-2013 (2.2.7, 2.2.8, 2.2.9), NEMA 250 type 4X

## DORI (EN62676-4 standard)

Detect (25PPM/ 8PPF)	Wide	140.2m(460.0ft)
	Tele	3246.9m(10652.4ft)
Observe (63PPM/ 19PPF)	Wide	56.1m(184.0ft)
	Tele	1298.7m(4261.0ft)
Recognize (125PPM/ 38PPF)	Wide	28.0m(92.0ft)
	Tele	649.4m(2130.5ft)
Identify (250PPM/ 76PPF)	Wide	14.0m(46.0ft)
	Tele	324.7m(1065.2ft)

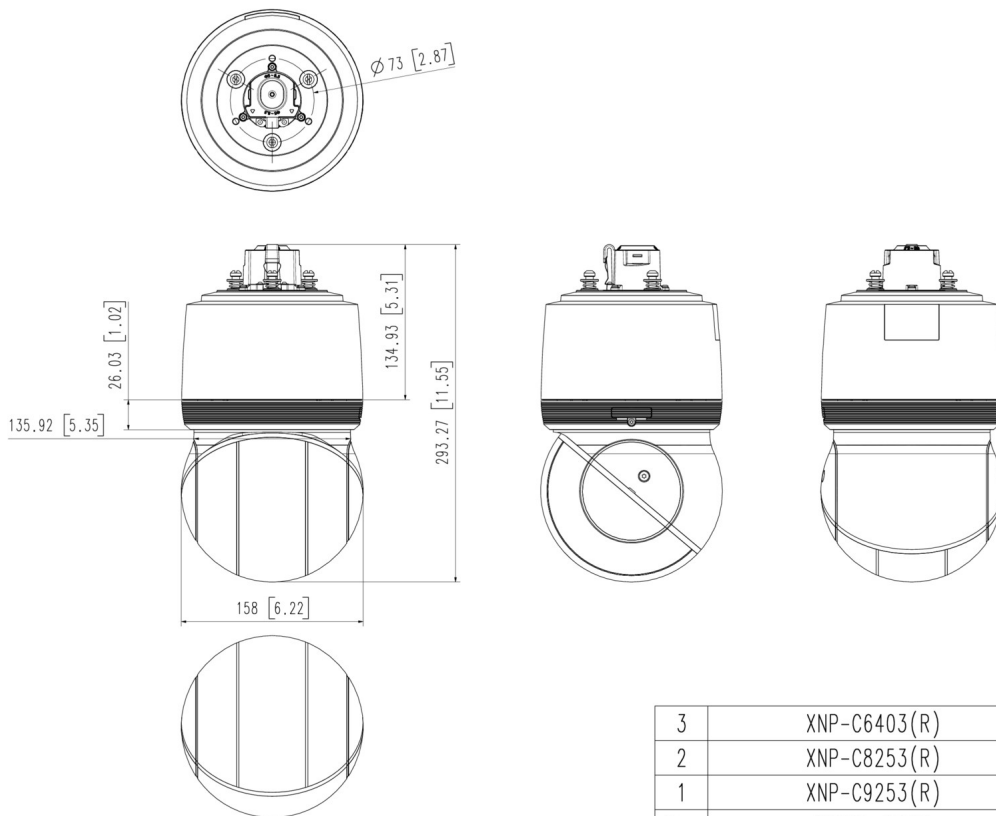
# XNP-C9253R


4K 25x AI IR PTZ PLUS Camera



**CAD**

Unit: mm [inch]



3	XNP-C6403(R)	
2	XNP-C8253(R)	
1	XNP-C9253(R)	'23.02.27
No.	MODEL NAME	DATE
Unit: mm [inch] SCALE: 1/1		 Hanwha Techwin

© Hanwha Techwin Co., Ltd. All rights reserved.