

1080p Penta-brid HDCVI DVR

32-Channel 1.5U Digital Video Recorder with Analytics+



Wiz Sense

WizSense Series devices combine Dahua's powerful Analytics+ with an intuitive and easy to use interface. WizSense devices offer Smart Motion Detection and Perimeter Protection functions that focus on human and vehicular images and ignore irrelevant images to capture important video while reducing false alarms. WizSense Series devices provide powerful general surveillance for small to medium size businesses at a sensible price.

System Overview

The X54B5L Series HDCVI DVR offers 5M-N/1080p recording on each HDCVI channel and a host of advanced features and functions. The DVR takes advantage of HDCVI technology for easy integration into existing video surveillance systems while leveraging existing networks, cabling, and cameras. Penta-brid access technology seamlessly records video from HDCVI, AHD, TVI, CVBS, and IP sources simultaneously. This recorder is the ideal solution for actively monitoring public venues, retail stores, transportation hubs and access ways, personal property and homes, and educational institutions.

Functions

Perimeter Protection

Dahua Analytics+ includes Tripwire and Intrusion functions that offer custom tripwires based on object type for automation in limited access areas. Perimeter Protection requires less pixels to detect an object to deliver improved accuracy and decreased false alarms due to lights, weather, trees, or animals.

Smart Motion Detection

The Smart Motion Detection, a component of Dahua's Analytics+ technology, improves alarm accuracy and decreases the number of false alarms. The advanced SMD algorithm analyzes a scene for human or vehicle motion, while filtering out other motion due to trees, leaves, animals, weather, and triggers an alarm when detected.

- 1080p at 30 fps Recording Resolution on All HDCVI Channels
- Available with a 4 TB, 6 TB, 8 TB, or 10 TB Pre-installed Hard Drive
- Dual-stream Video Recording
- AI Coding Technology for High-quality Human/Vehicle Video
- Auto-detection and Auto-configuration of Video Inputs
- 32 IP Camera Channels, each channel up to 8 MP
- Maximum 128 Mbps Incoming Bandwidth
- Spot Output
- Perimeter Protection and Smart Motion Detection (SMD)
- Long-distance Video Transmission
- Five-year Warranty*



Camera Connections

Record and monitor video from analog/HDCVI camera inputs and IP camera inputs simultaneously. The X58A series supports a maximum of 32 channels, with up to 32 channels of HDCVI/AHD/TVI/CVBS/IP inputs. The flexibility of the HDCVI DVR allows all 32 channels to record input from IP cameras, or from a combination of input from analog and IP sources (not to exceed the maximum number of analog cameras allowed per recorder)

AI Coding

The AI Coding function puts recording emphasis on human or vehicular objects in the video scene. This technology, based on constant bit rate (CBR), dynamically allocates increased bit rate to the target object while reducing the bit rate allocated to background objects. AI Coding reduces bit rate and storage requirements by up to 50% when compared to the H.265 video compression standard.

Smart H.265+

Smart H.265+ is the optimized implementation of the H.265 codec that uses a scene-adaptive encoding strategy, dynamic GOP, dynamic ROI, flexible multi-frame reference structure and intelligent noise reduction to deliver high-quality video without straining the network. Smart H.265+ technology reduces bit rate and storage requirements by up to 90% when compared to the H.264 video compression standard.

HDCVI/AHD/TVI/CVBS Auto-detect

The HDCVI DVR automatically recognizes the incoming signals of each attached camera without any setup, making installation easy and operation convenient.

Long Distance Transmission

HDCVI technology guarantees real-time transmission over long distances without loss of video quality. HDCVI devices provide the same resolution as most IP network camera systems using existing RG-59, RG-6, or CAT 6 UTP cabling.

Technical Specification

System

Main Processor	Embedded Processor
Operating System	Embedded LINUX

Analytics+ Perimeter Protection¹

Performance	<ul style="list-style-type: none"> Human and Vehicle object classification Decreased false alarms from leaves, lights, animals Configure function on two (2) analog channels 10 Tripwire/Intrusion rules per channel
Live View	<ul style="list-style-type: none"> Configure Rule and Object Inspection area Display object classification, event types, trigger time, image snapshot, and object types Export event playback 10 seconds prior to or after event
Playback	<ul style="list-style-type: none"> Search by channel, time, event type, and target type Search event playback 10 seconds prior to or after event Snapshot capacity: 500,000

Analytics+ Smart Motion Detection¹

Performance	<ul style="list-style-type: none"> Detect motion based on object classification (human or vehicle) Decreased false alarms from leaves, lights, animals Configure functions on 16 analog channels
Preview	<ul style="list-style-type: none"> Configure and inspect detection area
Playback	<ul style="list-style-type: none"> Search by channel, time, event type, and target type Search event playback 10 seconds prior to or after event

Interface

Analog Camera Input	32 Channels, BNC
HDCVI	5 MP, 4 MP, 1080p, 720p
AHD	5 MP, 4 MP, 1080p, 720p
TVI	5 MP, 4 MP, 1080p, 720p
CVBS	NTSC
IP Camera Input	32 Channels, each channel up to 8 MP (The recording rate is dependent on the maximum resolution and frame rate of the connected IP camera.)
Audio	Input: Four (4) Channels, BNC Output: One (1) Channel, BNC
Two-way Talk	One (1) Microphone Input (BNC) and One (1) Microphone Output (BNC)

Recording

Compression	AI Coding, Smart H.265+, H.265, Smart H.264+, H.264	
Recording Resolution ²	5 M-N, 4 M-N, 1080p, 1080N, 720p, 960H, D1, CIF (The recording rate is dependent on the maximum resolution and frame rate of the connected IP camera.)	
Record Rate	Main Stream	5 M-N at 20 fps 4 M-N, 1080p, 1080N, 720p, 960H, D1, or CIF at 30 fps
	Sub Stream	D1 or CIF at 15 fps
Max. Incoming Bandwidth	128 Mbps	
Bit Rate	32 Kbps to 6144 Kbps per Channel	
Record Mode	Manual, Schedule (Regular, Continuous), MD (Video Detection: Motion Detection, Video Loss, Tampering), Alarm, Stop	
Record Interval	1 to 60 minutes (default: 60 minutes), Pre-record: 1 s to 30 s, Post-record: 10 s to 300 s	
Audio Compression	G.711a, G.711Mu, PCM	
Audio Sample Rate	8 KHz, 16 bits per Channel	
Audio Bit Rate	64 Kbps per Channel	

1. The recorder is capable of two (2) simultaneous Perimeter Protection channels, 16 SMD channels, or one (1) Perimeter Protection channel and eight (8) SMD channels. Perimeter Protection and SMD cannot be used on the same channel.
2. The M-N resolution refers to technology that allows a 1080p HDCVI DVR to accept a video signal from a 5 MP or a 4 MP camera by sampling every other pixel on a horizontal line from the camera. The resulting recording resolutions are: 5 M-N: 1296 x 1944; 4 M-N: 1280 x 1440.

Display

Interface	Two (2) HDMI (3840 x 2160) Ports One (1) VGA (1920 x 1080) Port One (1) TV Port	
Spot Output	HDMI 2	
Native Output Resolution	HDMI 1	3840 x 2160, 2560 x 1440, 1920 x 1080, 1280 x 1024, 1280 x 720
	HDMI 2/ VGA	1920 x 1080, 1280 x 1024, 1280 x 720
Maximum Playback Decoding	16 Channels of 5M-N at 10 fps 16 Channels of 4M-N at 15 fps 16 Channels of 1080N/720p at 30 fps Eight (8) Channels of 5M-N at 20 fps Eight (8) Channels of 4M-N at 30 fps Four (4) Channels of 5M-N at 30 fps One (1) Channel of 8 MP at 30fps	
Multi-screen Display	1/4/8/9/16/25/36	
On-screen Display	Camera Title, Time, Video Loss, Camera Lock, Motion Detection, Recording	

Network

Interface	One (1) RJ-45 (1000 Mbps) Port
Network Function	HTTP, TCP/IP, IPv4/IPv6, UPnP, RTSP, UDP, SMTP, NTP, DHCP, DNS, IP Filter, PPPoE, DDNS, FTP, Alarm Server, P2P, IP Search (Supports Dahua IP cameras, DVRs, NVS)
Maximum User Access	128 Users
Mobile Operating System	IOS, Android
Interoperability	ONVIF 16.12, CGI Conformant

Video Detection and Alarm

Trigger Events	Recording, PTZ, Tour, Video Push, Email, FTP, Snapshot, Buzzer and Screen Tips
Video Detection	Motion Detection, MD Zones: 396 (22 x 18), Video Loss, Tampering, and Diagnosis
Alarm Input	16 Channels
Relay Output	Six (6) Channels

Playback and Backup

Playback	1/4/9/16
Search Mode	Time/Date, Alarm, MD and Exact Search (accurate to 1 second)
Playback Function	Play, Pause, Stop, Rewind, Fast Play, Slow Play, Next File, Previous File, Next Camera, Previous Camera, Full Screen, Repeat, Shuffle, Backup Selection, and Digital Zoom
Backup Mode	USB Device/Network

Storage

Internal HDD	Four (4) SATA Ports, up to 10 TB capacity for each disk
eSATA	One (1) Port

Auxiliary Interface

USB	One (1) USB 2.0 Port and Two (2) USB 3.0 Ports
RS485	One (1) Port for PTZ Control
RS232	One (1) Port for PC Communication and Keyboard

Electrical

Power Supply	100 VAC to 240 VAC, 50/60Hz
Power Consumption	< 22 W, without HDD

Construction

Dimensions	1.5U, 440.0 mm x 420.20 mm x 76.0 mm (17.32 in. x 16.54 in. x 2.99 in.)
Net Weight	4.80 kg (10.70 lb)
Gross Weight	7.10 kg (15.60 lb)
Installation	Desktop or Rack-mount

Video Transmission Distance

RG-59/U Coax	720p:	800 m (2624.67 ft)
	1080p:	500 m (1640.42 ft)
	4K/4MP:	500 m (1640.42 ft)
RG-6/U Coax	720p:	1200 m (3937.01 ft)
	1080p:	800 m (2624.67 ft)
	4K/4MP:	700 m (2296.59 ft)
CAT 6 UTP (balun required)	720p:	450 m (1476.38 ft)
	1080p:	300 m (984.25 ft)
	4K/4MP:	300 m (984.25 ft)

Environmental

Operating Conditions	-10° C to +55° C (+14° F to +131° F), 0% to 90% RH
Storage Conditions	-20° C to +70° C (-4° F to +158° F), 0% to 90% RH

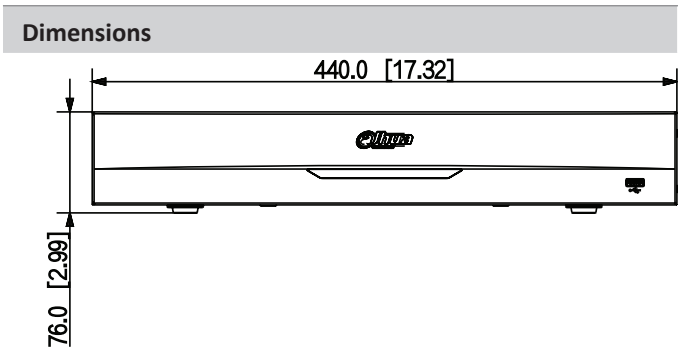
Third-party Support

Third-party Support	Dahua, Arecont Vision, AXIS, Bosch, Brickcom, Canon, CP Plus, Dynacolor, Honeywell, Panasonic, Pelco, Samsung, Sanyo, Sony, Videotec, Vivotek, and others
---------------------	---

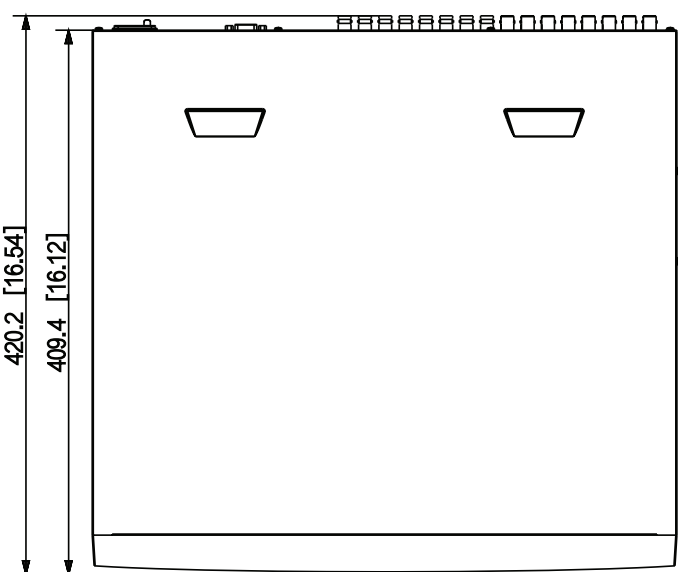
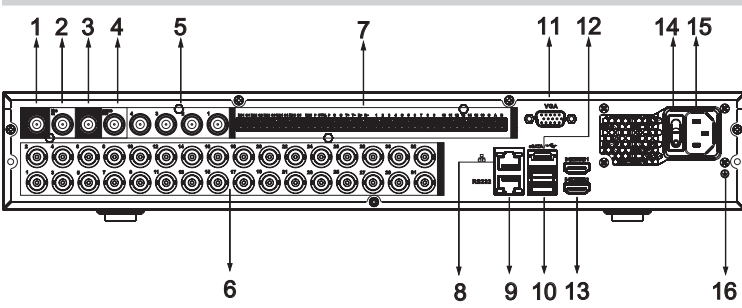
Certifications

Safety	EN 60950-1 IEC 60950-1
Electromagnetic Compatibility (EMC)	FCC CFR 47 Part 15 Subpart B EN 61000-3-2 EN 61000-3-3 EN 55032 EN 50130 EN 55024

Ordering Information		
Type	Part Number	Description
1080p HDCVI DVR with Analytics+	X54B5L	32-Channel Penta-brid 1080p 1.5U Digital Video Recorder, No pre-installed HDD
	X54B5L4	32-Channel Penta-brid 1080p 1.5U, 4 TB Digital Video Recorder
	X54B5L6	32-Channel Penta-brid 1080p 1.5U, 6 TB Digital Video Recorder
	X54B5L8	32-Channel Penta-brid 1080p 1.5U, 8 TB Digital Video Recorder
	X54B5L10	32-Channel Penta-brid 1080p 1.5U, 10 TB Digital Video Recorder



Rear Panel



1	Microphone Output, BNC	9	RS232 (Ethernet Port)
2	Microphone Input, BNC	10	USB Port
3	Video Out, BNC	11	VGA Output
4	Audio Output, BNC	12	eSATA Port
5	Audio Input, x4 BNC	13	HDMI Output, x2
6	Video Input, x32 BNC	14	Power Switch
7	Alarm Input, x16 Alarm Output, x6	15	Power Input
8	RJ-45 Ethernet Port (1000 Mbps)	16	Ground