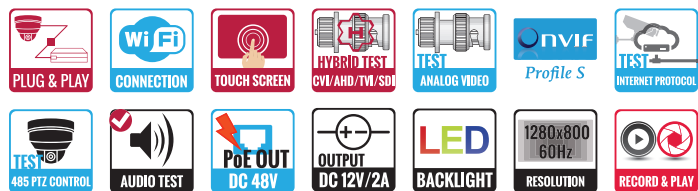




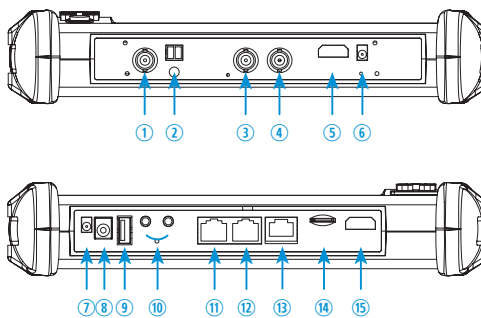
### VZ-7IPTM ADVANTAGES

- 7" IPS with 1280 x 800 Resolution
- **Wifi** Connection & **Touch Screen**
- **H.265, H.264** and **4K** Support
- Hybrid - 5MP **TVI**, 4MP **CVI**, 4MP **AHD** & **HD-SDI/EX-SDI** Test
- Support **Analog (CVBS) Video Test** with NTSC/PAL, CVBS Loop Test
- **Onvif**, IP (DHCP, manual IP Setup), IPC, IPC Viewer, Rapid Video, RTSP, IP Discovery, RJ45 TDR Test
- Support Ethernet 10/100/1000 Connection and Packet Loss Test
- Video Streaming Record, Playback & Screen Shot (built-in 8GB Micro SD)
- Color Bar Generator
- **P.o.E. Test - PD & PSE**
- Provides the Ability to Troubleshoot Camera Viewing angle, Focus, Zoom, and Display Setting on Installation Site
- Support RS485 (Pelco **PTZ Control**)
- Portability, PoE and DC12V 2A Power Out
- High Capacity Power with Lithium Battery (10 hours)



| MODEL #                                   |  | VZ-7IPTM                            |
|---|--|-------------------------------------|
| <b>DISPLAY</b>                            |  |                                     |
| Screen Size                               | 7"   |                                     |
| Max. Resolution                           | 1280 x 800 @60 Hz pixel  |                                     |
| Display Color                             | 16.7 Million   |                                     |
| <b>INTERFACE</b>                          |  |                                     |
| HD/EX-SDI                                 | 1  |                                     |
| AHD/TVI/CVI/CVBS In                       | 1  |                                     |
| CVBS Out                                  | 1  |                                     |
| HDMI In / Out                             | 1 / 1  |                                     |
| RS485 (PTZ Control)                       | 1  |                                     |
| Micro SD In                               | 1  |                                     |
| Audio In / Out                            | 1 / 1  |                                     |
| Ethernet 10/100/1000 with P.o.E. In / Out | 1 / 1  |                                     |
| UTP                                       | 1  |                                     |
| DC 5V (2A) Out - USB Type                 | 1  |                                     |
| DC 12V (2A) In / Out                      | 1 / 2  |                                     |
| <b>WEIGHT &amp; DIMENSIONS</b>            |  |                                     |
| Product Outline Dimension (W x H x D)     | 9.09" x 6.77" x 2.05"  |                                     |
|   | 230.866 mm x 171.95 mm x 52.07 mm  |                                     |
| Net Weight                                | 1.95 lbs ( 884 g )   |                                     |
| <b>GENERAL</b>                            |  |                                     |
| Battery                                   | - Capacity   | 7.4V 5400mAh                        |
|   | - Type   | Replaceable Lithium Polymer Battery |
|   | - Operation Time   | 10 Hours                            |
| P.o.E. Injector                           | 48V/15W Output   |                                     |
| Power Supply                              | DC 12V, 2A   |                                     |
|   | Full Charging Time - 5 to 6 Hours  |                                     |
| Power Saving Mode                         | Working, Standby & Shutdown  |                                     |
| Automatic Standby                         | Adjustable Time Interval - 5 to 30 Minutes   |                                     |
| Operating Temperature                     | 14 ~ 114°F / -10 ~ 45°C  |                                     |
| Storage Temperature                       | -4 ~ 158°F / -20 ~ 70°C  |                                     |
| Operating Humidity                        | 30% ~ 90%  |                                     |
| Warranty                                  | - Parts / Labor  | 2 Year / 2 Year                     |
| Regulation                                | CE, FCC  |                                     |
| Language                                  | English, Chinese, Korean, Russian, Italian, French, Polish, Spanish, Japanese  |                                     |
| Package Include                           | VZ-70ISM x 1, US 12v DC Charger x 1, Carrying Strap x 3, BNC to BNC Cable x 1, Audio Tester Lead x 1, RJ45 Cable Tester x 1, RS485 Cable Test Lead x 1, Carrying Bag x 1, 12V Power Output Cable x1, User Manual x 1 |                                     |

### INTERFACE

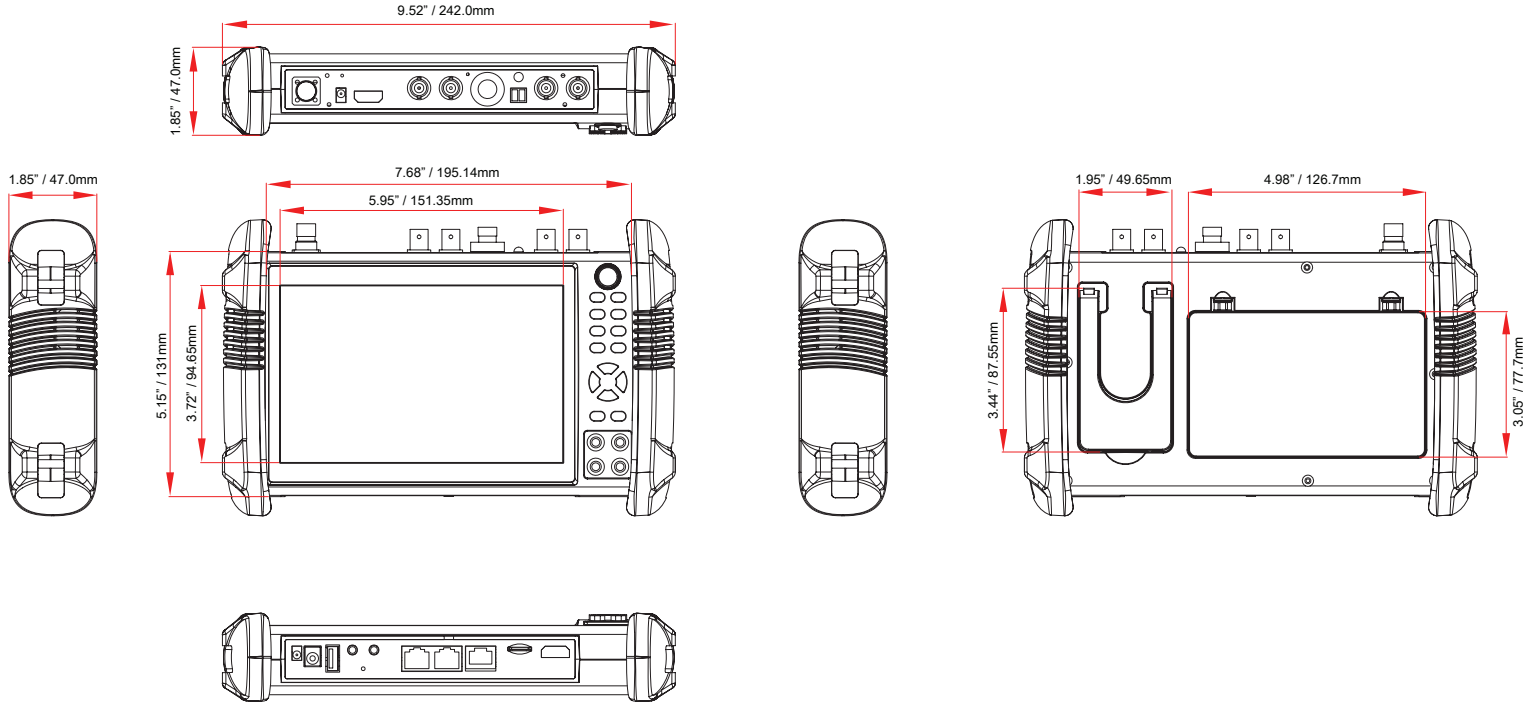


- |                           |                    |              |
|---------------------------|--------------------|--------------|
| 1. HD/EX-SDI IN           | 8. DC 12V IN       | 15. HDMI OUT |
| 2. RS485 PTZ              | 9. USB(DC 5V) OUT  |              |
| 3. AV(CVBS) OUT           | 10. AUDIO IN / OUT |              |
| 4. AV(CVBS/AHD/TVI/CIV IN | 11. LAN/PoE        |              |
| 5. HDMI IN                | 12. PoE PSE IN     |              |
| 6. DC 12V OUT             | 13. UTP            |              |
| 7. DC 12V OUT             | 14. Micro SD IN    |              |

### Contact ViewZ

- Address : 177 W. Orangethorpe Ave., Placentia, CA 92870
- Phone : (714) 996-1177, Fax : (714) 996-1138
- Sales : sales@viewzusa.com
- Specification subject to change without notice.

### DIMENSION



### AVAILABLE TEST MODES

| IPC TEST           |  |
|--------------------|--|
| Ethernet test      | IPC test / IPC viewer / Rapid video / RTSP / ONVIF   |
| ONVIF camera Test  | Support 2592*1520, Network PTZ controller (ONVIF)  |
| Rapid Video        | Auto view the video, create testing report   |
| IP& CVBS Test      | At the same time ,converter test from analog to digital with dual test window name, password and IP parameters   |
| Traffic monitoring | Traffic monitoring of the tester "LAN port", display network port or WIFI connection real-time upload and download speeds and other network parameters |
| COAXIAL HD TEST    |  |
| TVI                | 5MP TVI camera test, 2560x1944p 12.5FPS, UTC control/ call OSD menu  |
| CVI                | 4MP CVI camera test, 2560x1440p 25F/30F, UTC control d call OSD menu   |
| AHD                | 4MP AHD test, 2560x1440P 15F/25F/30F, UTC control d call OSDmenu   |
| HD SDI/EX-SDI      | HD SDI/EX-SDI camera test, support 1080P 50/60 FPS   |
| CVBS               | 1 channel BNC input & 1 channel BNC looped output, NTSC/PAL (Auto adapt)   |
| CVBS loop test     | The tester send and receive color bar generator signal, check BNC cable  |

| PoE TEST                |   |
|-------------------------|---|
| PD/PSE test             | Measurement POE switch or PSE power supply voltage and cable connection status                        |
| PTZ CONTROL TEST        |   |
| Communication interface | RS485   |
| Communication protocol  | PELCO-D/P, Samsung, Panasonic and over 30 Protocols   |
| Baud rate               | 600-115200bps   |
| AUDIO TEST              |   |
| Audio Test              | 1 channel audio signal input, test whether sound normal, 1 channel audio signal, to connect headphone |

### Contact ViewZ

- Address : 177 W. Orangethorpe Ave., Placentia, CA 92870
- Phone : (714) 996-1177, Fax : (714) 996-1138
- Sales : sales@viewzusa.com
- Specification subject to change without notice.