

VZ-24IPM

FULL HD LED IP INPUT MONITOR



VZ-24IPM ADVANTAGES

- 23.8" Full HD 1080p Resolution
- Ethernet 10/100
- Built-in Android OS
- Cost-Effective Alternative to Remote Viewing PC
- Designed to Run Android Apps
- ViewZ App supports Over 22,000 IP Camera Models
- Capable of 16ch 1080p Multiview Modes Available (via ViewZ App)
- Sequential Viewing Modes Available (via ViewZ App)
- Built to run 24/7/365
- 3-Year Warranty

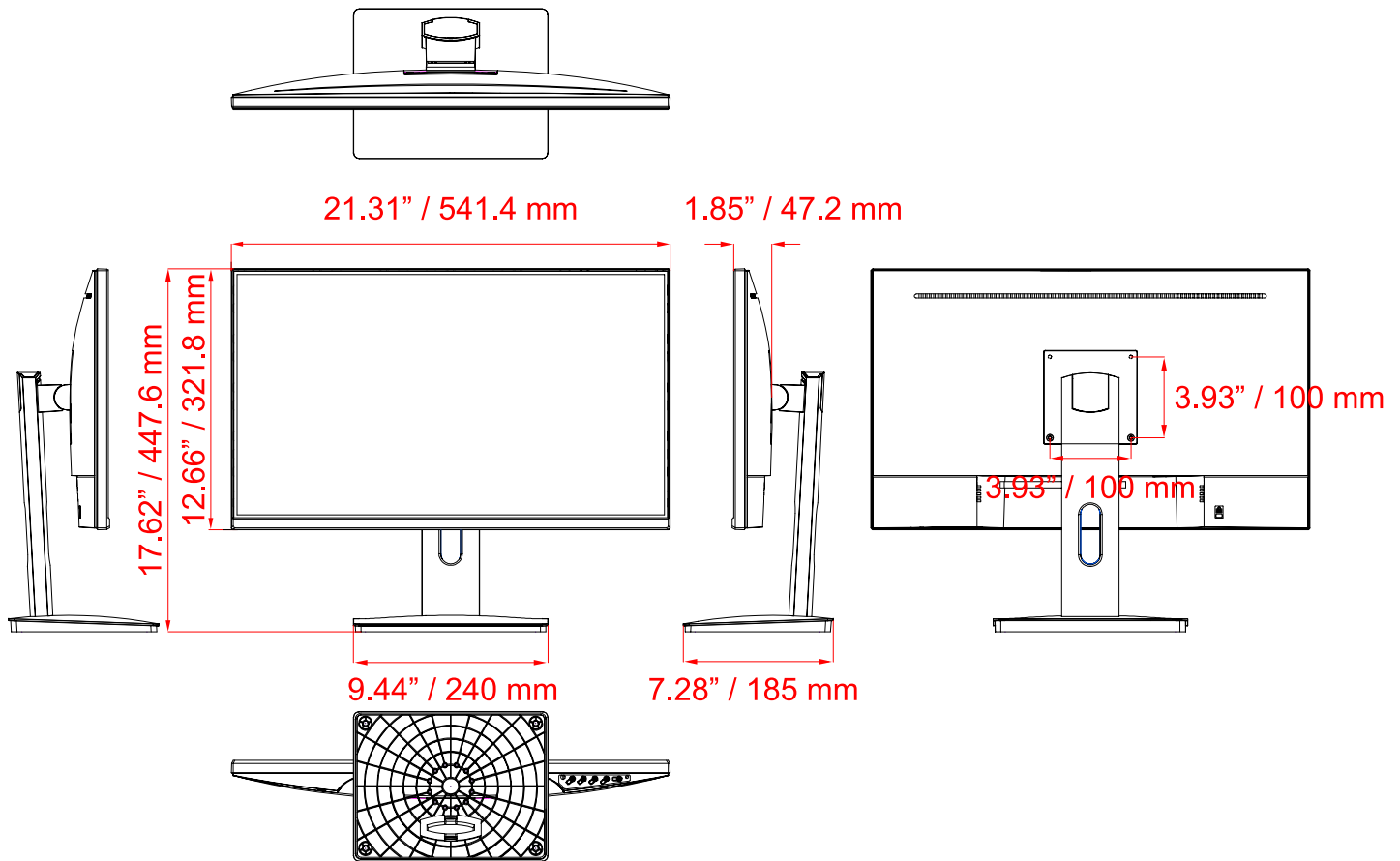


| MODEL # | VZ-24IPM |
|---------------------------|---|
| FEATURES | |
| Screen Size | 23.8" |
| Max. Resolution | 1920 x 1080 @60Hz |
| Pixel Pitch | 0.2745 mm x 0.2745 mm |
| Brightness | 250cd/m ² (Typical) |
| Contrast Ratio | 1000:1 |
| Aspect Ratio | 16 : 9 |
| Viewing Angle (H/V) | 178° / 178° |
| Display Color | 16.7 Million |
| Response Time | < 14 ms |
| INTERFACE | |
| Ethernet 10/100 | 1 |
| Micro SD In | 1 |
| USB 2.0 In (Type-A) | 1 |
| USB 3.0 In (Type-A) | 1 |
| USB In (Type-C) | 1 |
| HDMI In | 1 |
| HDMI Out | 1 |
| Audio Out | 1 |
| I/O (RESET) | 1 |
| ANDROID BOARD SPEC | |
| Android OS | Ver. 12.0. |
| CPU | Octa Core, Quad Cortex-A76 & A55, 2.1 GHz |
| RAM | 8GB DDR4 |
| Storage | 32GB (Nand-Flash) |
| External Storage | Micro SD up to 32GB / USB 2.0 up to 2TB |

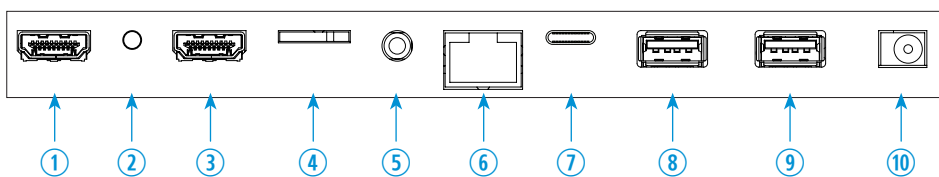
| | | |
|--------------------------------|---|--|
| AUDIO | | |
| Built in speaker | 3W X 2 | |
| REFRESH RATE | | |
| Sequential Viewing Mode | Available | |
| Multi Channel Viewing Modes | 1 / 2 / 3 / 4 / 6 / 9 / 12 / 16 | |
| DIMENSIONS & WEIGHT | | |
| Outline Dimension (W x H x D) | 21.31" x 16.2" x 1.53" | |
| | 541.4 mm x 411.7 mm x 39.0 mm | |
| Net Weight | 8.04 lbs / 3.65kg | |
| Gross Weight | 9.92 lbs / 4.5kg | |
| MOUNT | | |
| VESA | 100 mm x 100 mm (M4 x L8 screws) | |
| GENERAL | | |
| Power | Electrical Ratings | AC 100-240V, 50/60Hz (with DC Adaptor) DC 12V, 2A |
| | Consumption | 24 W |
| Operating Temperature | 14 ~ 122°F / -10 ~ 50°C | |
| Operating Humidity | 5 ~ 90% RH | |
| Regulations | FCC(A), CE, RoHS | |
| Compatible Mounts | Wall | VZ-WM05, VZ-WM11, VZ-AM02-A |
| | Pole | VZ-SCM-SQ, VZ-SCM-S |
| | Ceiling | VZ-CMKIT-01 |
| Accessories | Stand (1set), Manual (1pc), Power Cable (1pc), Remote Control (1pc) | |

VZ-24IPM

DIMENSION



INTERFACE



1. HDMI IN
2. RESET
3. HDMI OUT
4. Micro SD IN
5. AUDIO OUT
6. ETHERNET 10/100 (RJ 45)
7. USB Type C IN
8. USB 3.0 IN
9. USB 2.0 IN
10. DC 12V IN

Contact ViewZ

- Address : 177 W. Orangethorpe Ave., Placentia, CA 92870
- Phone : (714) 996-1177, Fax : (714) 996-1138
- Sales : sales@viewzusa.com