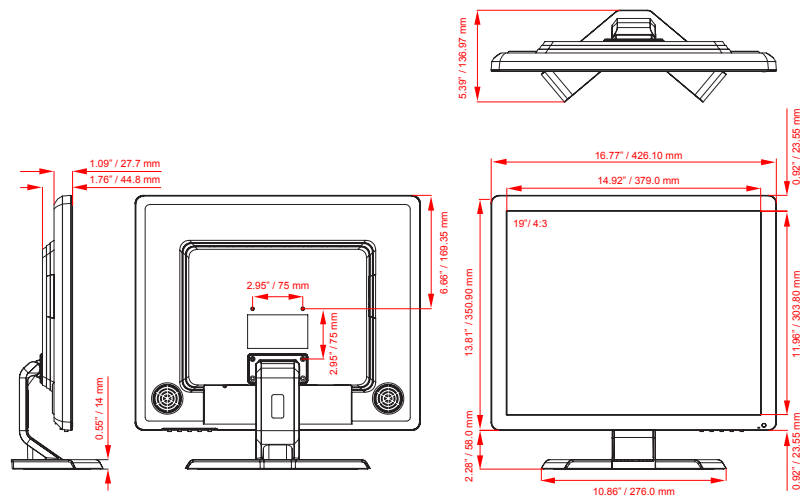


MODEL #	VZ-19RTN
VIDEO	
Screen Size	19"
Max. Resolution	1280 x 1024 @60Hz
Pixel Pitch	0.294 mm x 0.294 mm
Brightness	250cd/m ² (Typical)
Contrast Ratio	1000:1
Aspect Ratio	5 : 4
Viewing Angle (H/V)	170° / 160°
Display Color	16.7 Million
Response Time	< 5ms
Video System	NTSC / PAL
INTERFACE	
AV (Composite) In / Out	2 / 1
VGA In (15Pin D-Sub)	1
HDMI In	1
Audio In / Out	1 / 1
AUDIO	
Built in speaker	2.5W X2
SPECIAL FEATURES	
Filter Type	3D Comb-filter / De-Interlace
Language	English, Deutsch, French, Spanish, Italian
DIMENSIONS & WEIGHT	
Outline Dimension (W x H x D)	16.77" x 16.09" x 5.39" 426.10 mm x 408.9 mm x 136.97 mm
Net Weight / Gross Weight	6.17 lbs (2.8kg) / 7.27 lbs (3.3kg)
MOUNT	
VESA	75mm x 75mm
GENERAL	
Power	DC 12V, 3A (AC 100-240V, 50/60Hz)
Electrical Ratings Consumption	23 W
Operating Temperature Humidity	14 ~ 122°F / -10 ~ 50°C 20 ~ 70% RH
Regulations	FCC(A), CE
Compatible Mounts	WALL CEILING RACK VZ-WM05, VZ-WM11, VZ-AM01, VZ-AM02 VZ-CM06W/B, VZ-CM18W/B, VZ-CMKIT-01 VZ-RMK08

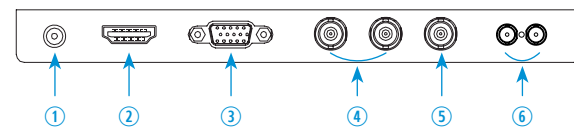
VZ-19RTN ADVANTAGES

- 19" LED CCTV Monitor
- 3D Comb-filter, De-Interlace, 600 TV Line
- HDMI, VGA
- 2 BNC(Composite) Inputs / 1 BNC (Composite) Output (Loop-through)
- Built-in Speakers, Auto Source & Power Recovery
- 3-Year Warranty

DIMENSIONS



INTERFACE



1. DC12V IN
2. HDMI IN
3. VGA IN
4. AV 1, AV 2 IN
5. AV OUT
6. AUDIO IN / OUT

Contact ViewZ

- Address : 177 W. Orangethorpe Ave., Placentia, CA 92870
- Phone : (714) 996-1177, Fax : (714) 996-1138
- Sales : sales@viewzusa.com
- Specification subject to change without notice.