

VT-TPTZ4AD-4M

Transcendent 4 Megapixel "Mini" IP PTZ Camera with 4X Optical Zoom, Smart Auto-Tracking, Face Detection, and Active Deterrence



KEY FEATURES

- 1/2.7" Progressive Scan CMOS STARLIGHT Sensor with Backside Illuminated and Near Infrared Technology
Backside Illumination (BSI) Technology improves performance in low light conditions, and Near-Infrared (NIR) Technology produces higher quality images and improved distant object capture in all light conditions
- Up to 4 MegaPixel (2560x1440) Max Resolution @ 30fps
- Hi-Speed Pan/Tilt/Zoom w/ 4xOptical Zoom Lens (2.8-12mm Focal Length)
- 1.6s Zoom Speed (Optical, Wide-Tele), F1.6~F2.7 Aperture Range
- Smart IR with up to 165' (50m) IR Range
- Smart H.265+/H.265/H.264+/H.264/MJPEG Compression
- Real-Time Auto Zoom Tracking: Transcendent Gen. IV IP PTZ Cameras Feature the Most Advanced PTZ Auto-Tracking Available, Powered by A.I.
- Gen. IV Advanced Analytics: Intrusion Detection, Line Crossing, Region Entrance / Exit, Target Counting [All by Human / Vehicle Classification] Scene Change, Face Detection / Capture
- Active Deterrence: Flashes Ultra Bright White Light [up to 100'] and Emits Predefined / Custom Audio Warnings within a Given Area. Supports 10 Voice / Audio Clips [Alarm Range <100', Voice Recording <25'].
- Back/Highlight Compensation, Auto-White Balance, Gain Cntrl, Day/Night
- True 120dB WDR (Wide Dynamic Range)
- PTZ: 300 Presets, 8 Cruises, 16 Presets/Cruise + 4 Tracks (3 Min. / Track)
- 0~355° Pan Range, Configurable Speed: 0.1~80°/s, 80°/s Preset
- 1 Ch. Audio In + Out + Built-in Mic + Speaker*, 1 Ch. Alarm In + Out
- True Day/Night with ICR Cut Filter with Auto/Manual Gain Control
- Built-in MicroSD Card Slot, Supporting Local Recording up to 256GB
- IP66 Ingress Protection + IK10 [Including Glass] Impact Rating
- 12VDC Power or PoE+ (802.3.at, class 3)
- Built-in Temp Sensor [Triggers Auto Shut-Down], Heater [auto @ cold start]
- 1 RJ45 10M/100M Adaptive Ethernet (Supports PoE+ 802.3.at)
- Numerous Mounting Options and Adapters Available (See Pg. 5)
- Compact Aluminum Alloy + Plastic (Glass Fiber 15%) Housing -- see Pg. 5 for dimensional drawings
- 3-Year Warranty

*Please research local, state and federal laws regarding the implementation of audio surveillance product.



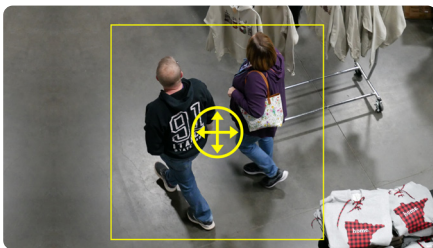
Shown with Optional Wall Mount VT-TWMT-4-W [above left] and J-Box VT-TJB-F1 [above right], Sold Separately



TRANSCENDENT "GEN IV" SERIES "MINI" PTZ IP CAMERA WITH AI POWERED FACIAL RECOGNITION AND AUTO-TRACKING!

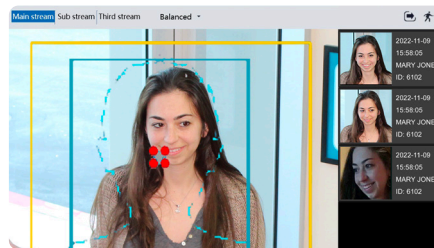
The Transcendent VT-TPTZ4AD-4M NDA Compliant "Mini" High-Speed IP Pan / Tilt / Zoom (4X Optical) Camera with Programmable (Smart) Auto-Tracking, features a Deep-Learning Engine with a powerful Computer Vision and Digital Signal Processor. This supports multiple Advanced Analytic functions including Face Detection (FD), and Vehicle / Human Detection. Multiple targets can be simultaneously detected with real-time Auto Zoom tracking, and the Active Deterrence supports custom audio warnings and flashing white lights. This model also features IP66 Ingress Protection, IK10 Impact Rating (including the lens window), and Smart IR with a range of up to 165'. All of this is delivered within a compact PTZ that will easily meet the demands of a wide variety of surveillance areas including retail areas, warehouses, residential communities, schools, ports, hospitals, and more.

THE TRANSCENDENT "GEN IV" SERIES DELIVERS ADVANCED A.I. TECHNOLOGY:



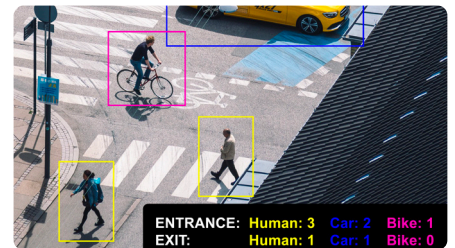
REAL-TIME AUTO ZOOM TRACKING

Transcendent GEN IV IP PTZ Cameras feature the most advanced PTZ Auto-Tracking available, powered by A.I.!



AI FACIAL RECOGNITION

Transcendent GEN IV Advanced Analytics deliver improved Facial Recognition, with up to 95% accuracy!



INTELLIGENT CAR COUNTING

Intelligent tracking is also capable of counting people, cars, and bicycles entering and exiting the camera's view

DETAILED SPECIFICATIONS

Image sensor	1/2.7" Progressive Scan CMOS STARLIGHT Sensor with Backside Illuminated and Near Infrared Technology <i>Backside Illumination (BSI) Technology improves performance in low light conditions, and Near-Infrared (NIR) Technology produces higher quality images and improved distant object capture in all light conditions</i>	
Min. Illumination	Color: 0.01 Lux @ (F1.6 AGC ON), B/W: 0.002 Lux @(F1.6 AGC ON), 0 Lux with IR	
Image Setting	Flip, Mirror, Saturation, Brightness, Contrast, Sharpness, AGC, and Auto White Balance adjusted by client	
Shutter Speed	60Hz: 1/30s~1/30,000s, 50Hz: 1/25s~1/25,000s,	
White Balance	Auto/Manual/Indoor/Outdoor	
Gain	Auto/Manual	
Day&Night	Auto/Manual	
Aperture control	N/A	
S/N Ratio	≥52dB	
3D DNR	Auto/Manual	
AE Enhancement	Backlight Control, Highlight Control, Wide Dynamic Range	
Privacy Mask	4 Programmable Privacy Masks	
Picture overlay	Logo / jpg can be overlaid on video (128x128 pixels), 24bits BMP format	
Font overlay	Max 15 Characters per Line, 8 Lines Max, White or Red Color	
Focus length	f=2.8-12mm Lens, 4× Optical	
Zoom Speed	About 1.6 Seconds (wide-tele)	
Field of View	Horizontal: 97°to 31°±5%, Vertical: 51°to 18°±5%, Diagonal: 115°to 36°±5% (wide-tele)	
Working distance	Wide: 0.3m ~ INF, tele: 0.5m ~ INF	
Aperture Range	F1.6~ F2.7 (wide-tele)	
DORI:	<i>2.8mm:</i>	<i>12mm:</i>
DETECT (25px/m),	223 ft (68m)	678.1 ft (206.7m)
OBSERVE (63px/m),	88.9ft (27.1m)	269.0 ft (82m)
RECOGNIZE (125px/m)	44.6ft(13.6m)	135.5 ft (41.3m)
IDENTIFY (250px/m)	22.3ft (6.8m)	68ft (20.7m)
Day / Night	True Day / Night by ICR	
Pan Range	0~355°	
Pan speed	Configurable, from 0.1~80°/s, Preset speed: 80°/s	
Tilt Range	From -5°to 90°	
Tilt Speed	Configurable, from 0.1°~ 60°/s, Preset speed: 60°/s	
Proportional Zoom	Yes	
Preset	300	
Cruise	8 cruises, up to 16 presets for each cruises	
Tracks	4 Tracks, Record Time 180 seconds (3 min) per Track	
Power off Memory	Yes	
Action Mode	Preset / Cruise / Trace / Auto Scan / Random Scan	
3D Positioning	Yes	

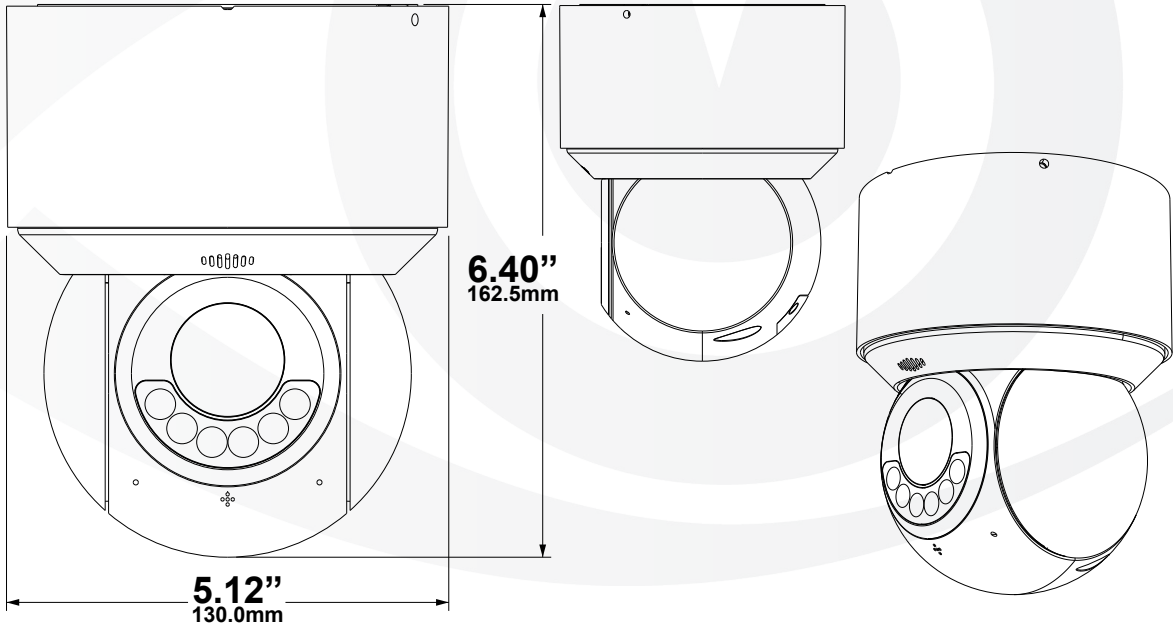
DETAILED SPECIFICATIONS

PTZ Position Display	Yes
Schedule Task	Preset / Cruise / Trace / Random Scan / Boundary Scanning / Dome Reboot
IR Distance	Up to 165ft (50m)
IR	4pcs of IR Array into 2 Groups, Auto Switch with Zoom Ratio
Smart IR	Yes
White Light	2pcs of White LED Array
White Light Distance	Up to 100' (30m)
White light Mode	Flash Mode (2 × Brightness), Time Interval Adjustable
Max Resolution	2560×1440
Main stream	30fps (2560×1440, 2048×1536, 1920×1080, 1280×960, 1280×720) 25fps (2560×1440, 2048×1536, 1920×1080, 1280×960, 1280×720)
Sub stream	30fps (704 × 480, 640 × 480, 352 × 240) 25fps (704 × 576, 640 × 480, 352 × 288)
Third Stream	30fps (1280 × 720, 704 × 480, 640 × 480, 352 × 240) 25fps (1280 × 720, 704 × 576, 640 × 480, 352 × 288)
Video compression	Smart H.265+ / H.265 / H.264+ / H.264 / MJPEG
H.264 Encoder	H.264 / AVC codec BP / MP / HP, level 5.1
H.265 Encoder	H.265 / HEVC codec MP, level 5.0
Video bit rate	64Kbps ~ 16Mbps
Audio Compression	G.711 A / U
Audio bit rate	64Kbps
Protocols	HTTP, HTTPS, IPv4/IPv6, 802.1x, QoS, FTP, SMTP, UPnP, SNMP,DNS, DDNS, NTP, RTSP, RTCP, RTP, TCP/IP, UDP, IGMP, ICMP, DHCP, PPPoE
User / Host	Up to 16 Users, 3 Levels: Administrator, Advanced User and Normal User
Security Measures	User authentication (ID and PW), Host authentication (MAC address), HTTPS encryption, IEEE802.1x Port-based Network Access Control, IP Address Filtering
Basic Event	Motion Detection, Video tampering Alarm, Exception (Network Disconnected, IP address conflict, SD full, SD error)
Face Detection	Max 15 Human Faces per Scene, Support Face Capture, Tracking, Comparison, Edge Storage
Road traffic	Vehicle Detecting and Tracking, etc.
Smart Detection	Tripwire, Bi-directional Tripwire, Intrusion Detection, Region Entrance / Exit Detection
Smart Tracking	Vehicle Human Detecting and Tracking
Active Deterrence	Flashes Ultra Bright White Light [up to 100'] and Emits Predefined / Custom Audio Warnings within a Given Area. Supports 10 Voice / Audio Clips [Alarm Range <100', Voice Recording <25'].
Bi-Directional Audio	Two-Way Talk Support
Ext. Audio Interface	1-ch audio input(mic in), 2.0-2.4Vp-p,1kΩ±10%, 1-ch audio output (line out), line level, impedance:600 Ω,

DETAILED SPECIFICATIONS

Built-in Speaker	4Ω, 2.5Watt. Rotation with Camera Lens Direction, Audible up to 95ft (30m) Distance
Built-in Mic	1 CH, Rotation with Camera Lens Direction, up to 26ft (8m) Distance Voice Recordable
Audio Device Switch	Default Built-in Speaker and Mic, Manually Switch to External
Alarm Interface	1CH Alarm Input (Dry contact), 1CH Alarm Output
Alarm Linkage	Alarm Actions, such as Preset, Cruise, Trace, Memory Card Video Record, Trigger Recording, Notify Surveillance Center, Upload to FTP / Memory Card, Send Email, etc.
Network Interface	1 RJ45 10M/100M Adaptive Ethernet (Supports PoE+)
Storage Slot	Support MicroSD / TF card, up to 256GB
Serial interface [RS485/232]	No
Auxiliary Video Out - CVBS	No
Reset button	Yes
Heat and Fan	Built-in Temperature Sensor, Auto Shut-down due to Over-heating, Auto-warming at Cold Start. No built-in fan.
Water Management	Dust and Water-Resistant Coating for Lens Cover
API	ONVIF, support SDK and Third-Party Management Platform
Client	Transcendent VMS, and the third-party client, Free iOS and Android App Included
Web Browser	IE8-11 Edge in IE mode
Languages	English, Italian, Portuguese, Polish, Spanish, Chinese
Power	DC12V±20%, 3000mA, PoE+ (802.3.at), max 16.2 Watts in Daylight, 20.2 Watts at night (LED+ Speaker on + PT Rotation)
Working condition	-40°F ~ 158°F (-40°C ~ 70°C) IR off, -40°F ~ 140°F IR on, Cold start -13°F (1 hr waiting period), ≤90%RH
Storage condition	-40°F ~ 158°F (-40°C ~ 70°C), ≤ 95% RH
Protection	6000V Lightning Protection, Surge Protection and Voltage Transient Protection
Shield Material	Main Body: Aluminum Alloy (ADC12), Accents: Polymer (Glass Fiber and Plastic)
Dimensions Dia x Height	5.12" × 6.40" (130mm × 162.5mm)
Weight (NET, GROSS)	2.654lb (1.2kg), 3.6lb (1.7kg)
Ingress and Impact Protection	IP66 + IK10 (Including Lens Window)
Certification	ROHS, CE, FC, UKCA, 3C

DIMENSIONS



MOUNTS AND ADAPTERS



VT-TPTZ4AD-4M BRACKET
Mounting Adaptor [INCLUDED]



VT-TWMT-4-W
Optional Wall Mount - White



VT-TJB-F1
Optional Junction Box for Cable Management - White



VT-TPDM-F
Optional 10" Pedestal / Pendant Mount - White



VT-TWM-F
Optional 10" Wall Mount - White



VT-TPLMT-W
Transcendent Universal Pole Mount Adapter - White (reqs. VT-TWM-F)



VT-TCNMT-W
Transcendent Universal Corner Mount Adapter - White (reqs. VT-TWM-F)



INCLUDED POWER SUPPLY
12VDC 3amp Power Supply



- VT-POE60**
60 Watt POE Mid-Span Injector, 4-Pair Compliant
- VT-POE95**
95 Watt POE Mid-Span Injector, 4-Pair Compliant



Pair With Transcendent IP NVRs, HDA DVRs, Bridge or Spire Series Recorders!

Pair with one of several VITEK Transcendent Series Network or Digital Recorders offering a Myriad of Advanced Analytic Functions and Applications! See www.vitekccctv.com for More!