

VT-TPTZ3N-4

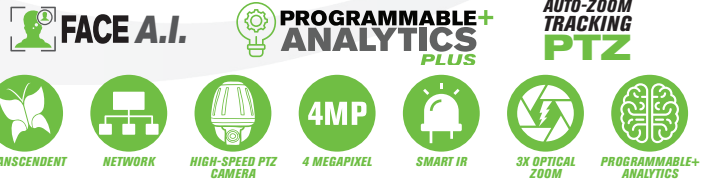
Transcendent 4 MegaPixel 3x IP Ultra-Compact Mini-PTZ with A.I. Real-Time Auto Zoom Tracking



KEY FEATURES

- 4 MegaPixel Progressive Scan CMOS (2688 x 1520) delivers ultra-sharp, high-definition video at up to 30fps
- 3.18–7.42mm Motorized Lens with 3x Optical Zoom and 8x Digital Zoom
- Advanced Low Light Performance with Smart IR up to 65'
- Ultra-Compact Mini-PTZ Form Factor – Only 4.56" x 2.95" and 1 lb for discreet indoor/outdoor installations
- Real-Time Auto Zoom Tracking – Transcendent IP PTZ Cameras feature the most advanced PTZ auto-tracking available, powered by A.I., automatically detecting and following moving people or vehicles, centering and zooming for detailed viewing until the target exits the area or the tracking time expires
- Programmable+ Analytics: Face AI (detection, capture, scoring), Human/Vehicle Classification, Tripwire, Intrusion, Region Enter/Exit, Scene Change, Video Blur, Color Abnormality
- 0–355° Pan, 15° to 90° Tilt (Auto-Flip), speeds 0.5°–80°/sec for smooth, precise positioning
- 360 Presets, 8 Cruises (up to 16 Presets per Cruise), 3D Positioning, PTZ Position Display
- Built-in Microphone plus 1ch Audio In / 1ch Audio Out with noise reduction for clear sound capture and two-way communication
- 1 Alarm Input / 1 Alarm Output with event-triggered Preset, Cruise, Recording, Email, or FTP upload
- Local microSD Recording up to 256GB for onboard video storage and redundancy
- ONVIF Compliant for seamless integration with VITEK NVRs and third-party VMS platforms
- IP67 weatherproof, IK10 vandal resistant
- Power Options – 12VDC or PoE (IEEE802.3af), Avg. 7W / Max. 12W consumption
- 6000V Surge Protection plus cold start capability down to -4°F (-20°C)
- Multiple Mounting Options – Includes in-ceiling/flush mount adapter; optional junction box, wall, corner, and pole mounts available
- NDAA Compliant
- 3-Year Warranty

*Research local, state and federal laws regarding the implementation of audio surveillance.



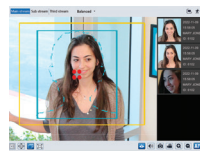
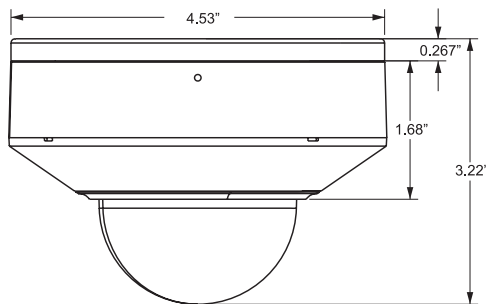
ULTRA-COMPACT MINI-PTZ WITH PROGRAMMABLE+ ANALYTICS

Compact in size yet loaded with powerful capabilities, the VITEK VT-TPTZ3N-4 Transcendent IP Mini-PTZ Camera delivers 4 MegaPixel resolution at up to 30fps with a 3x motorized optical zoom lens for flexible coverage. Powered by Programmable+ Analytics and A.I.-driven Real-Time Auto Zoom Tracking, it automatically detects, follows, and captures critical details of people or vehicles in real time. Its compact form factor makes it ideal for discreet indoor or outdoor installations, while IP67/IK10 protection, Smart IR up to 65', and multiple mounting options ensure reliable performance in any environment.



TRANSCENDENT PROGRAMMABLE+ ANALYTICS DELIVERS ADVANCED A.I. TECHNOLOGY:

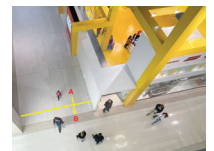
DIMENSIONS



AI FACIAL RECOGNITION
Face Detection with Face Database



TARGET COUNTING
People, Vehicles, and Motor/Bicycles



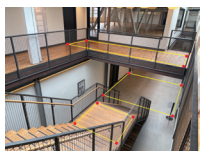
LINE CROSSING
Track People/Vehicles as Entering or Exiting Designated Areas



AUTO-ZOOM TRACKING
Transcendent Programmable+ IP PTZ Cameras feature the most advanced A.I. Powered PTZ Auto-Tracking available.



OBJECT TRACKING
Track Objects Removed or Abandoned in Secure Areas



AREA TRACKING
Fully Programmable Regional Intrusion Detection

An Eye On Innovation

www.vitekccv.com



SPECIFICATIONS

Image sensor	1/2.7" progressive scan CMOS with BSI and NIR+ technology
Max Resolution	2688x1520 (4.08MP)
Minimum Illumination	Color: 0.02 Lux @ (F1.6, AGC ON); B/W: 0.004 Lux @(F1.6, AGC ON); 0 Lux with IR
Image setting	Saturation, Brightness, Contrast, Sharpness, AGC, and AWB adjusted by client
Shutter Speed	60Hz: 1/30s~1/30,000s / 50Hz: 1/25s~1/25,000s
White Balance	Auto/Manual/Indoor/Outdoor
Gain	Auto/Manual
Day & Night	Auto/Manual
S/N Ratio	≥52dB
3D DNR	Auto/Manual
AE Enhancement	BLC, HLC, DWDR
Digital Zoom	8X
Privacy Mask	4 Programmable privacy masks
Picture overlay	Logo picture could be overlaid on video with 128x128 pixels, 24bits JPG format
Font overlay	Max 15 characters per line, 8 lines max, white color or red color
OSD	Time, Date, Device Name, Zoom ratio, Direction(N/S/E/W), PTZ Status, etc.
Focus length	f=3.18mm~7.42mm (wide-tele) ±5%, about 3x optical zoom AF lens
Zoom Speed	1 second (Wide->tele)
Field of View	Horizontal: 113.6°(W)-44.3°(T); Vertical: 59.6°(W)-24.9°(T); Diagonal: 137.4°(W)-50.8°(T); ±5%
Minimum View Distance	15.74" (40cm)
Aperture Range	F1.6 ~ F2.7 (wide-tele) ±10%
IR Distance	Up to 65', 4pcs 850nm
Smart IR	Yes
IR Cut filter	Switchable ICR
DORI: f=3.18mm	Detect: 62.8m(206ft), Observe: 24.9m(81.7ft), Recognize: 12.56m(41.2ft), Identify: 6.28m(20.6ft)
DORI: f=7.42mm	Detect: 148.4m(487ft), Observe: 58.89m(193ft), Recognize: 29.68m(97.4ft), Identify: 14.84m(48.7ft)
Pan Range	0~355°
Pan speed	Configurable, from 0.5°~80°/s; Preset speed: 80°/s
Tilt Range	From 15° to 90° (auto flip at 90°), (±1°)
Tilt Speed	Configurable, from 0.5°~80°/s; Preset speed: 80°/s
Pan/Tilt intervals	Default 300 seconds, min 120 seconds, max 3600 seconds. Customized per request
Proportional Zoom	Yes
Preset	360

SPECIFICATIONS

Cruise	8 cruises, up to 16 presets for each cruise
Power off memory	Yes
Action mode	Preset/Cruise (No trace or scan)
3D Positioning	Yes
PTZ Position Display	Yes
Schedule Task	Preset/Cruise/Dome reboot
Main stream	30fps: (2688×1520, 2560×1440, 2048×1536, 1920×1080, 1280×960, 1280×720) / 25fps: (2688×1520, 2560×1440, 2048×1536, 1920×1080, 1280×960, 1280×720);
Sub stream	30fps (704×480, 640×480, 352×240) / 25fps (704×576, 640×480, 352×288);
Third Stream	30fps (1920×1080, 1280×960, 1280×720, 704×480, 640×480, 352×240) / 25fps (1920×1080, 1280×960, 1280×720, 704×576, 640×480, 352×288);
Video compression	Smart H.265+/H.265/H.264+/H.264/MJPEG
H.264 Encoder	H.264/AVC codec BP/MP/HP, level 5.1
H.265 Encoder	H.265/HEVC codec MP, level 5.0
Video bit rate	H.264: 128kbps~16,384 kbps; H.265: 51 kbps~12,288kbps
Audio Compression	G.711 A/U
Audio bit rate	64Kbps
Protocols	HTTP, HTTPS, IPv4/IPv6, 802.1x, QoS, FTP, SMTP, UPnP, SNMP, DNS, DDNS, NTP, RTSP, RTCP, RTP, TCP/IP, UDP, IGMP, ICMP, DHCP, PPPoE, P2P
User / Host	Up to 16 users, 3 levels: Administrator, Advanced User and Normal User
Security Measures	User authentication (ID and PW), Host authentication (MAC address); HTTPS encryption, IEEE802.1x port-based network access control; IP address filtering
Client	Web browser / Transcendent NVR / VMS / Mobile App
Web Browser	IE8-11 with plug-in; Edge, Chrome, Firefox with plugin free
Basic event	Motion detection, video tampering alarm, exception (network disconnected, IP address conflict, SD full, SD error)
Face recognize	(Default off) human face detection, capture and face comparison
Road traffic	Vehicle detecting and tracking, etc.
Smart Detection	Tripwire, Bi-directional tripwire, Illegal intrusion detection, Region entrance detection, Region exiting detection, etc.
Smart Tracking	Smart tracking of human or vehicle, auto/manual
Audio Interface	1CH audio input, 2 to 2.4v[p-p] 1KΩ ±10%, bare Wire; 1CH audio output (line out), impedance: 600Ω, bare wire
Built-in mic	1-ch mic
Audio device switch	Default use built-in MIC, manually switch to external
Alarm interface	1CH alarm input (DRY Contact); 1CH alarm output
Alarm Linkage	Alarm actions, such as Preset, Cruise, Memory Card Video Record, Trigger Recording, Upload to FTP/Memory Card, Send Email, etc.
Network Interface	1 RJ45 10M/100M Adaptive Ethernet (Support PoE)

**Research local, state and federal laws regarding the implementation of audio surveillance.*

SPECIFICATIONS

Storage	Supports microSD card, up to 256GB
Reset button	Yes
ONVIF Compliant	Yes G,S, & T
Certification	IP67, IK10 (include lens bubble), ROHS, CE, FC, UKCA, KC, BIS
Water removal	Dust and Water-resistant coating for dome cover
Languages	Czech; English; German; Hungarian; Italian; Japanese; Korean; Portuguese; Polish; Russian; Romanian; Spanish; Spanish(Mexico); Simplified Chinese; Turkish; Traditional Chinese
Power	DC12V±20% 2000mA or PoE (802.3af), avg 7Watt; max 12Watt (with IR + PTZ working)
Working condition	-22°F~140°F (-30°~60°C) IR off, -22°F~104°F(-30°~40°C) IR on; Cold start ≥ -4°F (1Hour waiting), ≤90% RH
Storage condition	-40°C ~ 60°C; ≤95% RH
Protection	6000V Lightning Protection, Surge Protection and Voltage Transient Protection
Materials	Main body: Aluminum Alloy (ADC12); Bubble: Polycarbonate
Dimensions/Weight	4.56" x 2.95" (116x75mm), Approx. 1 lb. (463g)

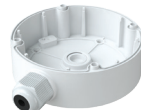
*Research local, state and federal laws regarding the implementation of audio surveillance.



OPTIONAL MOUNTS & ACCESSORIES



VT-MP3PT-W
Included Mounting Plate for VT-TPTZ3N-4



VT-TPJB3-W
Optional Junction Box for Cable Management



VT-TWMT-3XW
Optional Wall Mount with integrated Cable Management



VT-TPLMT-W
Transcendent Universal Pole Mount Adapter (reqs. VT-TWMT-3XW)



VT-TCNMT-W
Transcendent Universal Corner Mount Adapter (reqs. VT-TWMT-3XW)



BREAKDOWN OF MODEL NUMBERS: EXAMPLE: VT-TPTZ3N-4

[VT]	[T]	[PTZ]	[3]	[N]	[4]
VITEK	TRANSCENDENT	Pan Tilt Zoom	3X Optical Zoom	Network	4MP Sensor