

VT-TPTZ20HR-2A4

1080p Indoor/Outdoor HD over COAX 4-IN-1 PTZ Camera with 20X Optical Zoom and 8 Laser IRs



VITEKCCTV.COM
(888) VITEK-70

TRANSCENDENT



SPECIFICATIONS

Image Sensor	1/2.8" CMOS (Sony 323 [®])
Effective Pixels	2.0 MegaPixel
Connection	BNC
Video Output	1080P Output TVI, AHD, CVI / 960H CVBS
Min. Illumination	0.1 Lux: Color / 0.01 Lux: B / W
Zoom	20X F=4.7mm~94mm F1.6(W)~2.7(T)
Day/Night	AUTO / COLOR / BW
SNR	≥50dB(AGC OFF)
Wide Dynamic Range	Digital (D-WDR)
White Balance	Auto / Indoor / Outdoor / Manual
Electronic shutter	1/30s~1/10,000s
CPU Type	32-bit ARM CPU
Illumination	8 pcs. Array Laser IR Illumination
IR Range	Over 650' (200M)
Lamp Control	Auto, Manual, by Zoom
Address	0~255 (Soft Address and Hard Address)
Pan Range	360° Continuous Rotation
Tilt Range	0~90° (Auto Flip)
Manual Pan, Tilt Speed	0~180° / S, 0~120°/S
Preset speed	300° / S
Actual preset Accuracy	±0.10°
Presets	255
OSD Display	Dome Menu & Camera Menu Adjustment
Home Position	Return to Preset / Scan / Pattern (if there is no command in the specified period)
Tours	5
Communication Protocol	Pelco D, Pelco P
Intelligent 3D Scan	Auto Pan & Tilt & Zoom / Manual
Pattern Group	3 Programmable
Speed Adaptation	Speed Automatically Reduces while Zooming
Intelligent Pwr / Real Time Memory	Automatic Save Functions Settings, Automatic Wake Up Tour Function
Camera Menu Operation	Supports Camera Set Up Operation
Auto Scan	Continuous Auto Scan
Working Temperature	External: -31°F~131°F (-35°C~55°C)
Working Humidity	0%~90% (Non-Condensing)
Power	DC12V±10%, 5A **Power Supply Included
Consumption	<50W
Communication	RS-485
Weight Net, Shipping	5.95 lbs (2.7kg), 9.15lbs (4.15kg)

OVERVIEW

This High-Speed HD over COAX Pan / Tilt / Zoom Camera features 20X optical zoom (4.7 ~ 94mm) and Laser infrared reaching distances of beyond 650'. Operates remotely via Mobile and client applications. Programmable for up to 255 presets with scans, patterns and tours.

KEY FEATURES

- 1/2.8" 2 MegaPixel Sony 323[®] CMOS Sensor
- 1080P Output TVI, AHD, CVI / 960H CVBS
- 20×Optical Zoom, f=4.7~94.0mm, F1.6(W)~2.7(T)
- 8 pcs. Array Laser IR Illumination
- Over 650' IR Range (200M)
- 5 Tours
- 360° Continued Rotation, Manual Pan Speed 0~180° / S, Manual Tilt Speed 0~120°/S, Preset Speed 300°/S
- 32-bit Processor with Soft ID
- Digital Temperature Controlling System
- DC12V Power ****Power Supply Included**
- 3-Year Warranty

ACCESSORIES / DIMENSIONS



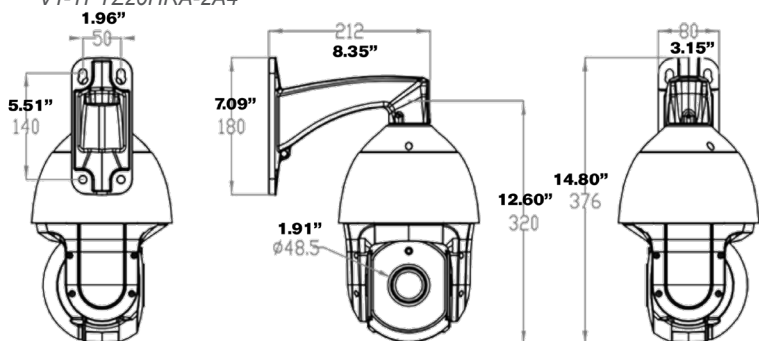
VT-TPT-WMT2
(Included) Wall Mount for VT-TPTZ20HRA-2A4



VT-TPT-PLMT2 Pole Adapter for VT-TPTZ20HRA-2A4



VT-TPT-PCMT2 Corner Adapter for VT-TPTZ20HRA-2A4



*Sony 323 is a Registered Trademark of SONY™



(888) VITEK-70 | WWW.VITEKCCTV.COM
28492 Constellation Road Valencia, CA 91355

An Eye On Innovation