

VT-IPE-HDA5

Transcendent Analog/HD-COAX up to 5.0 MegaPixel IP Video Encoder Server



KEY FEATURES

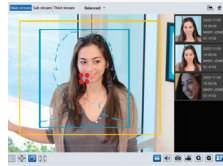
- Transforms an Analog / HD-COAX Camera into an IP Camera with GEN IV Analytics!
- Supports One Analog / HD-COAX Camera, up to 5.0 MegaPixels
- H.265+ / H.265 / H.264+ / H.264 / MJPEG encoding
- GEN IV Advanced Analytics
- Audio: 1 Channel Input, 1 Channel Output
- Alarm Interface (8-ch In/4-ch Out)
- Supports ROI, with 8 Individually Configurable Areas
- MicroSD Card Slot (256GB)
- 12VDC + PoE Operation
- 3-Year Warranty



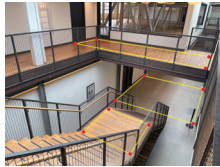
TRANSCENDENT GEN IV ANALYTICS SUPPORT!



TARGET COUNTING
People, Vehicles, and Motor/Bicycles



AI FACIAL RECOGNITION
Face Detection with Face Database



AREA TRACKING
Fully Programmable Regional Intrusion Detection



LINE CROSSING
Track People or Vehicles as they Enter or Exit Designated Areas



Extensive Inputs / Outputs for maximum flexibility
[USB port N/A (future upgrade)]



VITEK TRANSCENDENT VMS:



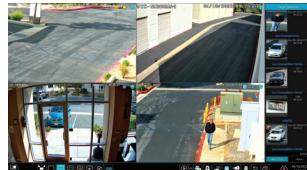
FREE VMS FOR MULTIPLE LOCATIONS
Free VMS (Video Management Software) for Easy Management of Multiple Locations.



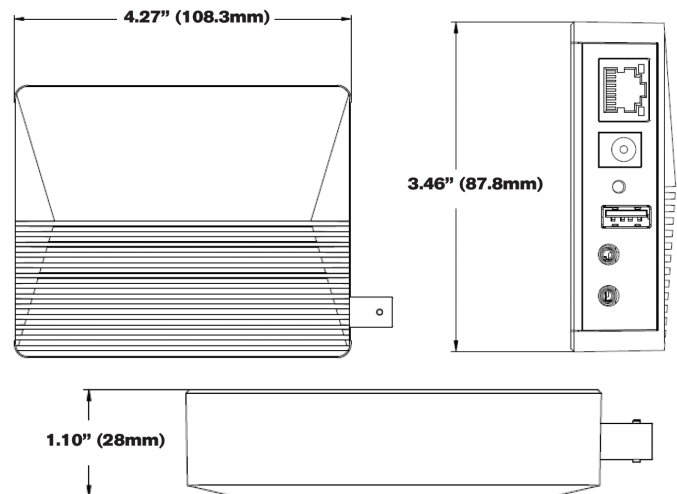
VERSATILE SOLUTION
Remote Viewing/Management using Apple macOS®, Microsoft Windows® and web browsers.



POWERFUL MOBILE APPS
Mobile Apps Available for Apple iOS® & Google Android®.



ROBUST LOCAL INTERFACE.
Face Detection with Face Database



Combine with one of several VITEK Transcendent Series Network or Digital Recorders offering a Myriad of Advanced Analytic Functions and Applications. See www.vitekccv.com for More!

*Firmware and Features may be upgraded periodically - Please contact your VITEK Representative for complete information on updates and downloads.

An Eye On Innovation

www.vitekccv.com



DETAILED SPECIFICATIONS

Analog (HD-CAOX) Video Input	BNC×1 BNC interface (1.0Vp-p; 75Ω) Standard TVI/AHD/CVI : 5MP@20fps, 4MP/1080P/720P @30fps CVBS Video Signal Input Supported
Video Compression	H.265+ / H.265 / H.264+ / H.264 / MJPEG
H.264 Compression Std.	Baseline Profile / Main Profile / High Profile
Bit Rate (Type)	64Kbps ~ 6Mbps (VBR/CBR)
Resolution	5MP (2592×1944), 4MP (2560×1440), 1080P (1920 ×1080), 720P (1280 × 720), D1, CIF, 480 × 240
Main Stream	5MP(1~20fps)/4MP/1080P/720P/D1 (60Hz:1~30fps, 50Hz:1~25fps)
Sub Stream	720P/D1/CIF (60Hz:1~30fps, 50Hz:1~25fps)
Third Stream	D1/CIF/480×240 (60Hz:1~30fps, 50Hz:1~25fps)
Image Setting	Saturation, Hue, Brightness, Contrast, WDR, Sharpness, NR, Image Mirror / Flip, Adjustable Through Client or Web Browser
ROI	8 ROI, Each Region can be Set up Separately
Audio Compression	G711A/U
Network	100M RJ45
Audio	1CH 3.5mm Audio Input, 1CH 3.5mm Audio Output
Two-Way Audio	YES
Video	1CH BNC Video Input
Storage	1 MicroSD card slot, up to 256G
Alarm	8CH Alarm Input, 4CH alarm Output
Remote Monitoring	Web browser / Vitek VMS / NVR / Mobile APP
Online Connection	Supports Simultaneous Monitoring of up to 8 Users, Supports Multi-stream Real Time Transmission
Network Protocol	UDP, IPv4/6, DHCP, NTP, RTSP/MP, PPPoE, DDNS, SMTP, FTP, SNMP, 802.1x, UPnP, HTTPS, HTTP POST, Qos
Interface Protocol	ONVIF
Smart Alarm	SD Card Full, SD Card Error, IP Address Conflict, Cable Disconnection, Sensor Alarm, Motion Alarm
Intelligent Analytics	Intrusion Detection, Line Crossing, Target Counting [All by Human / Motor Vehicle Classification], Face Detection, Scene Change, Video Blur, Abnormal Color Detection, Heat Map
General Function	Watermark, IP Address Filtering, Video Mask, Heartbeat, Illegal Login, Corridor Pattern
PoE	Yes, IEEE802.3af
Power	DC12V/PoE
Power Consumption	< 5.5W
Environmental Protection	RoHS 2.0, REACH, WEEE, Directive 94/62/EC
Working Environment	-22° ~ 140°F (-30°~60°C) / < 95% Humidity
Storage Environment	-22° ~ 149°F (-30°~65°C) / < 95% Humidity
Dimensio n (L × W × H)	4.27" × 3.46 × 1.1" (108.5 × 87.8 × 28mm)
Weight	9.57oz (271.4g)

**Research local, state and federal laws regarding the implementation of audio surveillance.*