

# VT-EPH-HDA5

Transcendent 2.0 MegaPixel Covert Pinhole Network Camera with 5.0MP Video Encoder Server



## KEY FEATURES

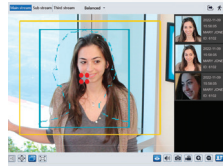
- Pinhole 2.8mm Fixed Iris Lens Camera
- 1/2.8" 2.0 MegaPixel Progressive Scan CMOS Image Sensor
- Up to 30fps @ 2MP (1920 × 1080)
- Included IP Video Encoder Server supports up to 5.0 MegaPixel Cameras!
- H.265+ / H.265 / H.264+ / H.264 / MJPEG encoding
- GEN IV Advanced Analytics
- Audio: 1 Channel Input, 1 Channel Output
- Alarm Interface (8-ch In/4-ch Out)
- MicroSD Card Slot (256GB)
- 12VDC + PoE Operation
- 3-Year Warranty



## TRANSCENDENT GEN IV ANALYTICS SUPPORT!



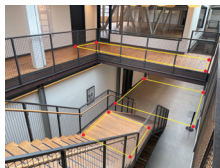
**TARGET COUNTING**  
People, Vehicles, and Motor/Bicycles



**AI FACIAL RECOGNITION**  
Face Detection with Face Database



Extensive Inputs / Outputs for maximum flexibility  
[USB port N/A (future upgrade)]



**AREA TRACKING**  
Fully Programmable Regional Intrusion Detection



**LINE CROSSING**  
Track People or Vehicles as they Enter or Exit Designated Areas



## VITEK TRANSCENDENT VMS:



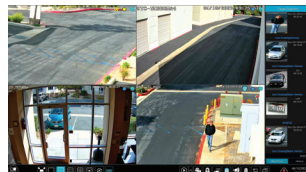
**FREE VMS FOR MULTIPLE LOCATIONS**  
Free VMS (Video Management Software) for Easy Management of Multiple Locations.



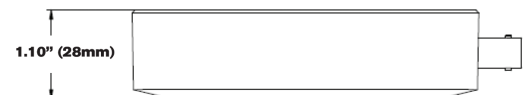
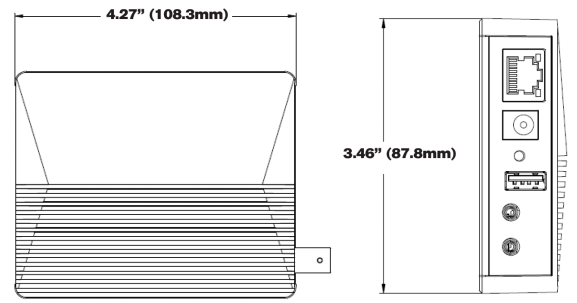
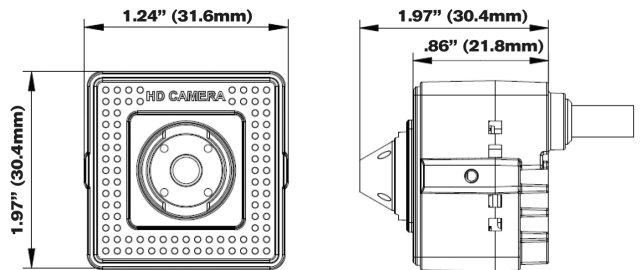
**VERSATILE SOLUTION**  
Remote Viewing/Management using Apple macOS®, Microsoft Windows® and web browsers.



**POWERFUL MOBILE APPS**  
Mobile Apps Available for Apple iOS® & Google Android®.



**ROBUST LOCAL INTERFACE.**  
Face Detection with Face Database



Pair with one of several VITEK Transcendent Series Network or Digital Recorders offering a Myriad of Advanced Analytic Functions and Applications. See [www.vitekccctv.com](http://www.vitekccctv.com) for More!

\*Firmware and Features may be upgraded periodically - Please contact your VITEK Representative for complete information on updates and downloads.

An Eye On Innovation

[www.vitekccctv.com](http://www.vitekccctv.com)



## DETAILED SPECIFICATIONS

<b>Image Sensor</b>	1/2.8" Progressive Scan CMOS
<b>Image Size</b>	1920 × 1080
<b>Electronic Shutter</b>	Auto / Manual
<b>Lens</b>	Fixed 2.8mm@F2.2, Horizontal FoV: Approx. 104°, Vertical FoV: Approx. 59°, Diagonal FoV: Approx.117°
<b>Min. Illumination</b>	0.05lux @ F2.2, AGC ON
<b>WDR</b>	120Db (Camera)
<b>Other Features</b>	BLC, HLC, De-Fog
<b>DNR</b>	2D/3D NR
<b>DORI</b>	Detect: 125ft (38m), Observe: 49ft (15m), Recognize: 26ft (8m), Identify 13ft (4m)
<b>Video Compression</b>	H.265+ / H.265 / H.264+ / H.264 / MJPEG
<b>H.264 Compression Std.</b>	Baseline Profile / Main Profile / High Profile
<b>Bit Rate (Type)</b>	64Kbps ~ 6Mbps (VBR/CBR)
<b>Resolution</b>	1080P(1920×1080), 720P(1280×720), D1, CIF, 480×240
<b>Main Stream</b>	60Hz: 1080P/720P/D1 (1~30fps), 50Hz: 1080P/720P/D1 (1~25fps)
<b>Sub Stream</b>	60Hz: 720P/D1/CIF (1~30fps), 50Hz: 720P/D1/CIF (1~25fps)
<b>Third Stream</b>	60Hz: D1/CIF/480×240 (1~30fps), 50Hz: D1/CIF/480×240 (1~25fps)
<b>Image Setting</b>	Saturation, Hue, Brightness, Contrast, WDR, Sharpness, NR, Image Mirror / Flip, Adjustable Through Client or Web Browser
<b>Audio Compression</b>	G711A/U
<b>Network</b>	100M RJ45
<b>Audio</b>	1 CH 3.5mm Audio Input, 1CH 3.5mm Audio Output*
<b>Two-Way Audio</b>	YES
<b>Video</b>	1CH BNC Video Input Connector
<b>Storage</b>	1 MicroSD Card Slot, up to 256G
<b>Alarm</b>	8CH Alarm Input, 4CH Alarm Output
<b>Remote Monitoring</b>	Web browser / Vitek VMS / NVR / Mobile APP
<b>Online Connection</b>	Supports Simultaneous Monitoring of up to 8 Users, Supports Multi-stream Real Time Transmission
<b>Network Protocol</b>	UDP, IPv4/6, DHCP, NTP, RTSP/MP, PPPoE, DDNS, SMTP, FTP, SNMP, 802.1x, UPnP, HTTPS, HTTP POST, Qos
<b>Interface Protocol</b>	ONVIF
<b>Smart Alarm</b>	SD Card Full, SD Card Error, IP Address Conflict, Cable Disconnection, Sensor Alarm, Motion Alarm
<b>Intelligent Analytics</b>	Intrusion Detection, Line Crossing, Target Counting [All by Human / Motor Vehicle Classification], Face Detection, Scene Change, Video Blur, Abnormal Color Detection, Heat Map
<b>General Function</b>	Watermark, IP Address Filtering, Video Mask, Heartbeat, Illegal Login, Corridor Pattern
<b>PoE</b>	Yes, IEEE802.3af
<b>Power</b>	DC12V/PoE
<b>Power Consumption</b>	< 5.5W
<b>Environmental Protection</b>	RoHS 2.0, REACH, WEEE, Directive 94/62/EC
<b>Environmental Conditions</b>	Working: -22° ~140°F (-30°~60°C) / < 95% Humidity, Storage: -22° ~149°F (-30°~65°C) / < 95% Humidity
<b>Dims Camera D × W × H Server L × W × H</b>	Camera: 1.97" × 1.24 × 1.97" (31.6 × 30.4 × 31.6mm) Server: 4.27" × 3.46 × 1.10" (108.3 × 87.8 × 28mm)
<b>Weight</b>	Camera: 1.8oz (52.4g), Server: 9.57oz (271.4g), TOTAL COMBINED Weight: 11.37oz (322.3g)