

# VTD-TND16X8MS

Transcendent Series 16 MegaPixel H.265 Indoor / Outdoor  
Multi-Sensor (1/2.8" x 8) 360° Panoramic IP Camera



## KEY FEATURES

- Eight Separate 1/2.8" Progressive Scan CMOS Image Sensors
- Resolution of up to 8192 x 1800 @30fps
- 8 x 3.3mm Fixed Lenses [f 2.0]
- Single IP Address Input Required
- 1s~1/100,000s; Auto/Manual Electronic Shutter
- 8 IR LEDs, up to 65' IR Range (with 360° Surround)
- Panoramic Image Field of View: Horizontal - 2 x 180° (360° Total) Vertical - 85°
- Vertical Rotation: Manual Adjust., 8 Pitches@45° Each
- Advanced Analytics [Up to 8 Configurable Regions]: Intrusion Detection (Region Entrance / Exit), Line Crossing [By Human / Vehicle Classification] Scene Change - 4 Deep Learning Engines with 8GB DDR for AI Updates
- Basic Analytics: Motion Detection, Video Tampering Alarm, Exception (Network Disconnected, IP Address Conflict, SD Full, SD Error)
- Digital Zoom / Logo Picture Overlay
- True Mechanical Day/Night function by ICR
- XD-DNR (2D & 3D-DNR) Noise Reduction
- H.265/H.264/MJPEG Triple Streaming
- Remote View via VMS, IE, iOS & Android Apps
- ONVIF Compliant
- MicroSD Memory Card Slot for Local Recording (256GB)
- IP66 Weather Resistance + IK10 Impact, Built-in Heater and Fan, Weather Resistant Metal Case
- Two-way Audio\*, 1 Ch. Alarm In + Out
- 24VDC & PoE++ (Power over Ethernet) Operation
- Optional Pendant Mount VT-TPT20HR-PM, 3' Wall Mount VT-TWM36, as well as 3' Pole and Corner Mount Brackets [VT-TPLM36 & VT-TCNM36]
- 3-Year Warranty



## EIGHT IMAGES STITCHED INTO ONE!

The VITEK VTD-TND16X8MS Multi-Sensor PeriCam HD Network Camera with 360° panoramic view utilizes eight separate 1/2.8" 2MP Progressive Scan CMOS Image Sensors (16MP Total, with one IP Address), and eight separate 3.3mm fixed lenses to produce a seamless high quality single Image of a large surveillance area. Capable of covering a 65' radius when installed with a height of 12~18'. Ideal for large public areas, including transit hubs, ports, conference centers, stadiums, university grounds, schools and plazas. Available with a variety of mounts for all application scenarios [see pg 3].

\*Please research local, state and federal laws regarding the implementation of audio surveillance.



**360° FIELD OF VISION: PERSPECTIVE IS EVERYTHING!**

Vitek Peri-Cam Technology Produces a Seamless Ultra-High Resolution 360° Field of View with a Greater Depth of Field than a Fisheye!

VITEK  
**PERI-CAM**

**16MP**

An Eye On  
Innovation

www.vitekccv.com



<b>Image Sensor</b>	8 × 1/2.8" 2.0 Megapixel Progressive Scan CMOS - Single IP Address
<b>Image Size</b>	16 MegaPixel: 8192 × 1800
<b>Shutter Speed</b>	1s -1 / 100,000s
<b>White Balance</b>	Auto / Manual / Indoor / Outdoor
<b>Gain</b>	Auto / Manual
<b>Day / Night</b>	True Day / Night by ICR
<b>Privacy Mask</b>	8 Programmable Privacy Masks
<b>Vertical Rotation</b>	Manual Adjustment, 8 pitches, 45°per pitch
<b>Min. Illumination</b>	Color: 0.008Lux @ (F2.0 AGC ON) B/W: 0.008Lux @(F2.0 AGC ON), 0 Lux with IR
<b>Lens</b>	3.3mm Fixed Iris Lens × 8
<b>Aperture</b>	F2.0
<b>FOV</b>	Panoramic Image with Horizontal FOV: 2 × 180° (360°) Vertical FOV: 85°
<b>Working Distance</b>	1.0m~Infinity
<b>Digital Zoom</b>	Yes
<b>IR LEDs / Distance</b>	8 / 65' w/ 360° Array (H) × 90° (V)
<b>Smart IR</b>	Yes
<b>Video Compression</b>	H.265 / H.264 / MJPEG
<b>Audio Compression</b>	G.711A / G.711U
<b>Resolution</b>	8192 ×1800, 25/30fps
<b>Main Stream</b>	8192 ×1800 , 3840 × 1680 , 2784 × 1200 (1~30fps)
<b>Sub Stream</b>	2048 × 896, 1280 × 560 , 704 × 320 (1~30fps)
<b>Third Stream</b>	704 × 320 ( 1~30fps )
<b>DNR</b>	XD-DNR (2D-DNR & 3D-DNR)
<b>Network Protocols</b>	HTTP, HTTPS, IPv4/IPv6, 802.1x, QoS, FTP, SMTP, UPnP, SNMP,DNS, DDNS, NTP, RTSP, RTCP, RTP, TCP/IP, UDP, DHCP, PPPoE
<b>Simultaneous Connections</b>	Up to 6
<b>Users</b>	Up to 16 Users (Names and Passwords), 3 Authority Levels: Administrator, Advanced User and Normal User
<b>Security Measures</b>	User Authentication (ID / Password), Host Authentication (MAC Address), HTTPs Encryption, IEEE802.1x Port-Based Network Access Control, IP Address Filtering
<b>Basic Event</b>	Motion Detection, Video Tampering Alarm, Exception (Network Disconnected, IP Address Conflict, SD Full / Error)
<b>Advanced Analytics</b>	Up to 8 Configurable Regions: Intrusion Detection, Line Crossing, Region Entrance / Exit Detection, [All by Human / Vehicle Detection and Classification] Face comparison, Scene change detection, etc.
<b>ROI</b>	Four Regions - Each ROI to be Configured Separately
<b>Smart Alarm</b>	SD Card Record, Triggering Record, Notify Control Center, Uploading to FTP / SD Card, Sending e-mail, Trigger Alarm Output
<b>Alarm In / Alarm Out</b>	1 Ch. Alarm In + 1 Ch. Alarm Out
<b>Audio</b>	1Ch. Audio Input, 2 to 2.4v[p-p] 1kΩ±10%; 1Ch. Audio Output (Line Out), Impedance: 600Ω
<b>Network Interface</b>	1 RJ45 10M/100M/1000M Adaptive Ethernet (Support PoE++(802.3.bt, Class 6))
<b>Storage Card Slot</b>	Supports One MicroSD Card up to 256GB
<b>Remote Viewing</b>	VMS / Web Browser [IE, Chrome, Firefox, Safari and Edge in IE Mode] / Mobile (iOS / Android)

# VTD-TND16X8MS



Connection Protocol	ONVIF, API, SDK
Ingress / Impact Rating	IP66 / IK10
Other Protection	6000V Lightning Protection, Surge Protection, and Voltage Transient Protection
Material	Camera Body: Aluminum Alloy, Bubble and IR Cover: Plastic
Power	AC24V, DC24V, PoE++ (802.3bt, Class 6), Max 45W with IR, Fan and Heater On
Working Environment	-22°~140°F (-30° ~ 55°C) / <90% Humidity (non-condensing), Cold Start at -4°F (-20°C)
Storage Environment	-40°~158°F (-40° ~ 70°C) / <95% Humidity
Dimensions Dia×H	10.85" × 7.39" (275.7mm × 187.7mm)
Weight (Net / Shipping)	4.63lb / 5.95lb (2.1kg / 2.7kg)

## OPTIONAL MOUNTS & POPULAR ACCESSORIES

### VT-TPT20HR-PM

Optional Pendant Mount



### VT-TWM36

Optional 3' (1M) Wall Mount - White



### VT-TPLM36

Optional 3' (1M) Pole Mount Bracket - White



### VT-TCNM36

Optional 3' (1M) Corner Mount Bracket - White

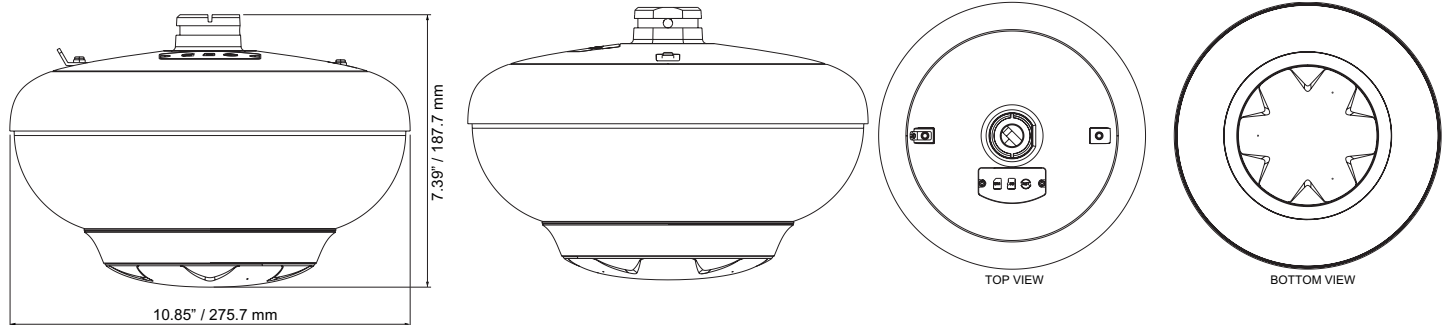


### VT-POE95

95 Watt POE Mid-Span Injector, 4-Pair Compliant



## DIMENSIONS



### Pair With Transcendent IP NVRs!

Transcendent IP Gen. IV NVRs available in 4, 8, 16, 32, 64 and 128 Channels, Supporting a Myriad of Advanced Analytic Functions and Applications!  
See [www.vitekccctv.com](http://www.vitekccctv.com) for More!