

VTC-TNB4LPRN-A

Transcendent Series 4 MegaPixel License Plate Recognition
WDR IP Motorized Bullet Camera

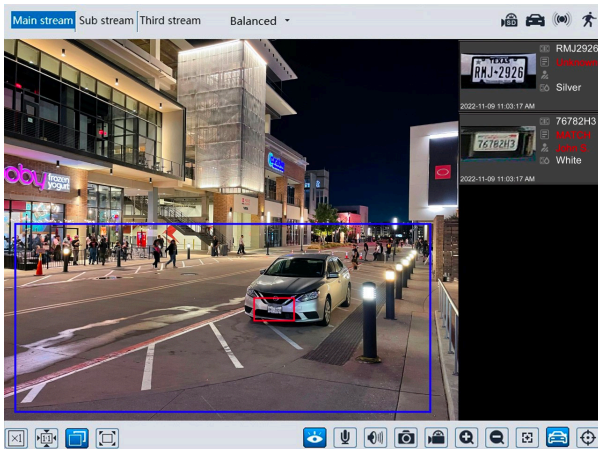


KEY FEATURES

- 1/1.8" 4 MegaPixel Progressive Scan CMOS Sensor
- Advanced Starlight Technology Offers Dramatically Higher Sensitivity to Light Producing Color Images in Very Dark & Night Scenes
- Up to 30fps live view @ 4 MegaPixel (2688x 1520)
- 8~32mm @F1.6 Motorized Varifocal Lens
- Matrix IR (up to 325' IR Range)
- True Wide Dynamic Range (120dB)
- True Mechanical Day / Night function by ICR
- XD-DNR (3D & 2D-DNR) Noise Reduction
- Intelligent Analytics: License Plate Recognition, Vehicle Type Detection, Video Exception Detection
- 10,000 Vehicle Plate Database
- 0-75m/h (120km/h) Capture Speed (*Dependant on Installation*)
- Overlay Options: Time, Location, License Plate Information
- Triple Streaming: H.265+ / H.265 / H.264+ / H.264 / MJPEG
- 1 Ch. Audio In + 1 Ch. Audio Out*
- 1 Ch. Alarm In + 1 Ch. Alarm Out, 1 Ch. CVBS
- Supports Wiegand Connection
- Remote Viewing via VMS, Web Browsers, and iOS & Android Apps
- MicroSD Card Slot for Local Recording (256GB)
- IP67 Weather Resistance
- Wall Mount Included, Optional Mounts: Junction Boxes VT-TJB01 and VT-TJB020 (Waterproof) [See Additional Mounting Options Below]
- 12VDC & PoE (Power over Ethernet) Operation
- 3-Year Warranty

*Please research local, state and federal laws regarding the implementation of audio surveillance.

VITEK LICENSE PLATE RECOGNITION



RELATED PRODUCTS AND ACCESSORIES!



Pair with one of several VITEK Transcendent Series Network or Digital Recorders offering a Myriad of Advanced Analytic Functions and Applications. See www.vitekccv.com for More! Firmware and Features may be upgraded periodically - Please contact your VITEK Representative for complete information on updates and downloads.



VT-TJB01
Optional Junction box for Cable Management



VT-TJB020
Optional Junction box for Cable Management - Waterproof



VT-TPLMT
Universal Pole Mount Adapter (VT-TJB01 or VT-TJB020 Req)



VT-TCNMT
Universal Corner Mount Adapter (VT-TJB01 or VT-TJB020 Req)

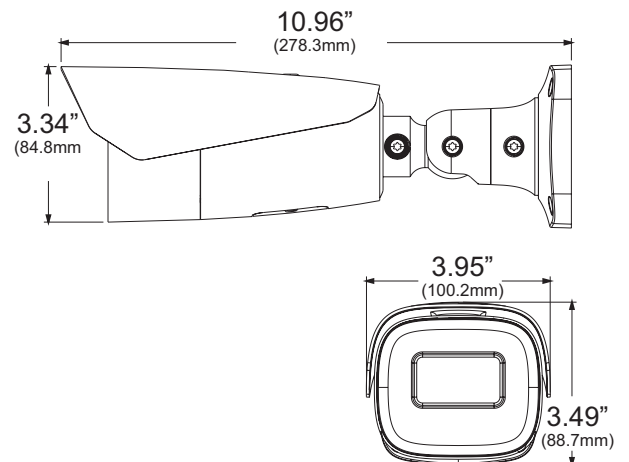


Detail of MicroSD Card Slot



DEDICATED LICENSE PLATE RECOGNITION CAMERA WITH 10K PLATE DATABASE

Transcendent Series 4 MegaPixel H.265+ WDR Bullet Camera specializing in **License Plate Recognition**. Featuring an 8~32mm Motorized Zoom Lens and Starlight Technology, these simple, easy to install, attractively styled, IP Network Cameras transmit over remote viewing via VMS, Web Browsers, and iOS & Android Apps.



DETAILED SPECIFICATIONS

Image Sensor	1/1/8" 4.0 Megapixel Progressive Scan CMOS
Image Size	4 MegaPixel (2688 × 1520)
Electronic Shutter	Manual or Auto, Manual: 1 / 1 s ~ 1 / 100000s
Resolution	4 MP (2688 × 1520) / 3 MP (2304 × 1296) / 1080P (1920 × 1080) / 720P (1280 × 720) / D1/CIF (480 × 240)
Min. Illumination	0.001 lux@F1.6, AGC ON, 0 lux with IR
Lens	8~32mm Mtrzd Varifocal @F1.6, motorized
FOV	Horizontal: 41°~15.5°, Vertical: 23°~15.5°, Diagonal: 46.5°~18°Diagonal: 46.5°~18°
Lens Mount	Integrated
Recommended LPR Distance	53~158' (16-48M) [Also known as ANPR - Automatic Number Plate Recognition]
Other Features	BLC, HLC, Defog
WDR	120dB True WDR
DNR	XD DNR (3D-DNR / 2D-DNR)
S/N Ratio	>50Db
Angle Adjustment	Pan: 0°~360°, Tilt:0°~90°, Rotation: 0°~360°
IR	Matrix IR (2)
IR Distance	325'
Video Compression	Main stream: H.265+ / H.265 / H.264+ / H.264 Sub stream: H.265+ / H.265 / H.264+ / H.264 / MJPEG Third stream: H.265+ / H.265 / H.264+ / H.264 / MJPEG
Main Stream	4MP/2K/3MP/1080P (60Hz :1 ~ 30fps; 50Hz : 1 ~ 25fps) HFR Mode: 1080P/720P (60Hz: 1~60fps; 50Hz: 1~50fps)
Sub Stream	720P/D1/CIF (60Hz:1 ~ 30fps, 50Hz: 1 ~ 25fps)
Third Stream	D1/CIF (60Hz:1 ~ 30fps, 50Hz: 1 ~ 25fps)
Bit Rate	64 Kbps ~ 8 Mbps
Bit Rate Type	VBR / CBR
Audio Compression	G.711A / G.711U
Image Settings	ROI, Saturation, Brightness, Hue, Contrast,Wide Dynamic, Sharpness, Image Mirror, Image Flip, Noise Reduction - Image Settings Adjustable through Client Software or Web Browser
ROI	Each ROI to be configured separately
Network	100M RJ 45
Video Output	CVBS Output (BNC × 1)
Audio	1CH Audio Input, 1CH Audio Output*

*Please research local, state and federal laws regarding the implementation of audio surveillance.

DETAILED SPECIFICATIONS CONT'D

Storage	Built-in microSD Card Slot - up to 256GB, Network Remote Storage
Reset	YES
Alarm	1CH Alarm Input, 1CH Alarm Output
RS485	YES
Wiegand	YES
Remote Viewing	VMS / Web Browser / Mobile (iOS/Android)
Supported Browsers	Internet Explorer, Chrome and Firefox with IE Tab, Edge in IE Mode
Online Connection	Support Simultaneous Monitoring for up to 10 Users, Support Multi-stream Real Time Transmission
Interface Protocol	ONVIF
Network Protocol	DP, IPv4, IPv6, DHCP, NTP, RTSP, RTP, RTMP, RTCP, PPPoE, DDNS, SMTP, FTP, SNMP,HTTP, HTTP POST,802.1x, UPnP, HTTPs, QoS
Smart Alarm	Motion Detection, Sensor Alarm, SD Card Error, SD Card Full, IP Address Conflict, Cable Disconnection
Intelligent Analytics	License Plate Recognition, Vehicle Type Detection, Video Exception Detection
General Functions	Watermark, Video Mask, Operational Diagnostic [Heartbeat], Corridor Mode
Security	Video Encryption, Firmware Encryption, HTTPs Encryption, Configuration Encryption, Illegal Login Lock, IP Address Filtering, 802.1x Authentication, Basic and Digest Authentication for HTTP/HTTPs
POE (Standard)	YES (IEEE802.3af)
Ingress Protection	I67
LPR Snapshot	Overview and Cutout of Plate for Picture
OSD Features	Snapshot Time, Location, License Plate Information
Capture Speed Range	0-70m/h (0-120km/h) <i>*Dependant on Installation</i>
Power Supply	DC12V/AC24V/PoE
Power Consumption	<12W
Operating Environment	-22°F~140°F (-30°C ~ 60°C) Humidity: less than 95 % (non-condensing)
Storage Environment	-22°F~149°F (-30°C ~ 65°C) Humidity: less than 95 % (non-condensing)
Dimensions	10.96" × 3.95" × 3.49" (278.3mm × 100.2mm × 88.7mm)
Weight Net (Shipping)	2.59lbs / 1176g (3.03lbs / 1376g)
Installation Options	Ceiling Mounting, Wall Mounting
Certificates	CE, FCC