

VTC-TNB2X4MSNAD

Transcendent 8 MegaPixel (4K) Dual Sensor 180° Bullet Camera with Knight Guard, Active Deterrence, and GEN IV Analytics



KEY FEATURES

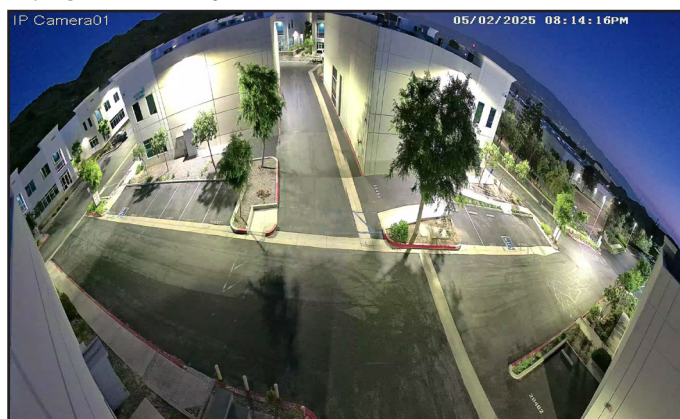
- 2 x 1/2.7" 4MP Progressive Scan CMOS Sensors (Total 8MP – 4640 x 1760)
- Dual 2.8mm Fixed Iris Lenses
- Programmable Active Deterrence with Flashing Blue/Red Lights and User-Defined Custom Voice Alarm Capability
- Dual illumination with Smart IR and Knight Guard White Light (Up to 100' IR / 65' White Light Range)
- Full-color night vision powered by Knight Guard's High-Intensity White Light LEDs
- Up to 30fps Live View @ 8MP (4640 x 1760)
- True Mechanical Day/Night by ICR
- Built-in Dual Microphones and Speaker with 1CH Audio In + 1CH Audio Out
- Smart H.265+ / H.264+ / MJPEG Triple Streaming
- Face AI featuring Face Detection & Face Capture with Scoring, Tracking, and Image Optimization
- GEN IV Advanced Analytics: Regional Entrance / Exit Detection, Line Crossing, Target Counting (All by Human / Motor Vehicle Classification), Face Detection, Heat Map, Video Blur, Color Detection, Abnormal Video, and more!
- Video Metadata simultaneously captures the human body, motor vehicles, and non-motor vehicles, extracting 13 features from humans, 5 features from motor vehicles, and 1 feature from non-motor vehicles
- Horizontal 180° Panoramic View with Dual-Sensor Image Stitching
- Digital WDR, 3D-DNR, HLC, BLC
- Built-in microSD Card Slot for Local Recording (up to 256GB)
- IP66 Weather Resistance
- 12VDC / PoE (802.3af) Power Options
- 3-Year Warranty



*Research local, state and federal laws regarding the implementation of audio surveillance.

180° FIELD OF VISION: SEE MORE WITH 8 MEGAPIXEL (4K) PANORAMIC CLARITY

The VTC-TNB2X4MSNAD delivers a seamless 180° panoramic image with 8MP (4K) resolution, using dual high-performance sensors and distortion-free stitching. The result is a crystal-clear, full-color view with enhanced depth, greater detail, and none of the warping seen in fisheye cameras.

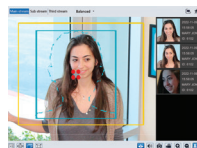


180° WIDE-AREA SURVEILLANCE WITH KNIGHT GUARD AND ACTIVE DETERRENCE

The VITEK VTC-TNB2X4MSNAD Dual Sensor IP Camera delivers ultra-wide 180° panoramic surveillance using two 4MP progressive scan CMOS image sensors (8MP total) and dual 2.8mm lenses, seamlessly stitched into a single high-resolution image. Featuring Knight Guard high-intensity white light for full-color night vision and advanced Active Deterrence with flashing red/blue lights and user-defined voice alerts, it provides both visibility and proactive protection. With onboard face detection, GEN IV analytics, dual microphones, and local microSD recording up to 256GB, it's ideal for perimeter protection and wide-area monitoring in public spaces, campuses, retail environments, and more.



TRANSCENDENT GEN IV ADVANCED ANALYTICS!



AI FACIAL RECOGNITION
Face Detection with Face Database



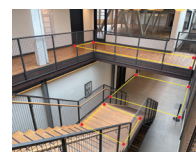
TARGET COUNTING
People, Vehicles, and Motor/Bicycles



VIDEO META DATA
Extract 13 features from humans and 5 from motor vehicles



OBJECT TRACKING
Track Objects Removed or Abandoned in Secure Areas



AREA TRACKING
Fully Programmable Regional Intrusion Detection



LINE CROSSING
Track People or Vehicles as Entering or Exiting Designated Areas



An Eye On Innovation

www.vitekccv.com



SPECIFICATIONS

Image Sensor	2 × 1/2.7" Progressive Scan CMOS
Max Resolution	4640 × 1760
Electronic Shutter	1/3s ~ 1/1000000s
Min. Illumination	0.0032 Lux @ F1.6 (AGC ON); 0 Lux with LED ON
Lens	2.8mm Fixed Iris, F1.6
Field of View	Horizontal: 180°, Vertical: 66°
IR Range	Up to 100'
White Light Range	Up to 65'
Day/Night	ICR (True Day/Night)
WDR	Digital WDR
DNR	3D DNR
BLC / HLC	Yes
Defog	Yes
Angle Adjustment	Pan: 0°~360°, Tilt: 0°~90°, Rotation: 0°~360°
Video Compression	H.265+ / H.265 / H.264+ / H.264 / MJPEG
Resolution Options	8MP, 6MP, 4MP, 2MP, 2048×768, 1600×608, 1200×448, 960×368, 640×240
Main Stream	4640×1760 (1~30fps)
Sub Stream	2048×768 / 1600×608 / 1200×448 (1~30fps)
Third Stream	1200×448 / 960×368 / 640×240 (1~30fps)
Bit Rate	64 Kbps ~ 10 Mbps
Bit Rate Type	VBR / CBR
Image Settings	ROI, Saturation, Brightness, Hue, Contrast, WDR, Sharpness, NR
ROI	Each ROI can be configured separately
Audio	1CH In, 1CH Out, Built-in Speaker, 2CH Built-in Mics
Audio Compression	G711A / G711U
Smart Alarm	Motion, SD Card Error, Full, IP Conflict, Disconnection, Sensor, Audio, Light
Intelligent Analytics	Line Crossing, Region Intrusion/Entrance/Exit, Loitering, Parking, Object Abandonment/Missing, Scene Change, Video Blur, Abnormal Color, Audio Exception
Face Detection	Face Detection and Capture
Video Metadata	13 human features, 5 vehicle features, 1 non-motor vehicle feature
Network Protocols	UDP, IPv4/6, DHCP, NTP, RTSP, RTP, RTMP, RTCP, PPPoE, DDNS, SMTP, FTP, SNMP, HTTP/S, P2P, QoS, 802.1x
Interface Protocol	ONVIF
Remote Monitoring	Web Client / NVR / Transcendent VMS / Mobile App

VTC-TNB2X4MSNAD



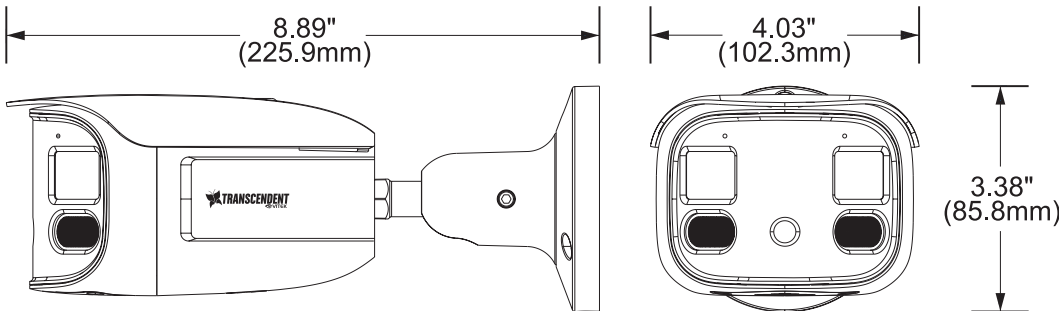
SPECIFICATIONS

Web Browsers Supported	Chrome 89+, Edge 89+, Firefox 87+, Safari 14+
Users	Supports up to 10 simultaneous users
Storage	microSD Card Slot (up to 256GB), Network Storage
D.O.R.I.	Detect: 203ft (62m) Observe: 81ft (25m) Recognize: 40ft (12m) Identify: 20ft (6m)
Power Supply	12VDC / PoE (IEEE802.3af)
Power Consumption	PoE Max 10.2W / DC12V Max 9W
Operating Conditions	-22°F ~ 149°F (-30°C ~ 65°C), <95% RH
Storage Conditions	-22°F ~ 140°F (-30°C ~ 60°C), <95% RH
Ingress Protection	IP66
Installation	Ceiling or Wall Mounting
Certifications	CE, FCC, RoHS, REACH, WEEE
Dimensions	8.89" × 4.03" × 3.38" (225.9 × 102.3 × 85.8 mm)
Weight	31.96 oz. / 2.0 lbs. / 0.906 kg

*Research local, state and federal laws regarding the implementation of audio surveillance.

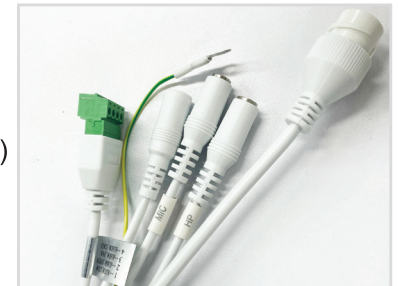


DIMENSIONS



CABLE CONNECTIONS

Alarm, 12VDC Input, Audio I/O*, Ethernet (PoE)



OPTIONAL MOUNTS & ACCESSORIES



VT-TJB01-W
Universal Junction
Box for Cable Man-
agement



VT-TJB08-W
Compact Universal
Junction Box for
Cable Management



VT-TCNMT-W
Corner Mount
Adapter (VT-TJB01
Req'd)



VT-TPLMT-W
Pole Mount Adapter
(VT-TJB01 Req'd)

BREAKDOWN OF MODEL NUMBERS: EXAMPLE: VTC-TNB2X4MSNAD

[VTC]	[T]	[N]	[B]	[2]	[X]	[4]	[M]	[S]	[N]	[A]	[D]
VITEK	TRANSCENDENT	Network	Bullet	2	Multipled	4MPi	Multi	Sensor	NDAA	Advanced	Active
Camera				Sensors	by	Sensor			Compliant	Analytics	Deterrence

