

VTC-PIR4CN-4

VITEK 4 MegaPixel Passive Infrared (PIR) H.265+ Network Camera with Discreet Illumination



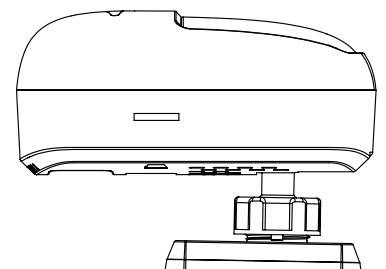
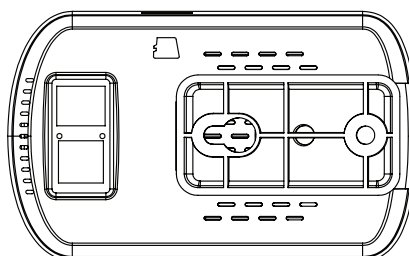
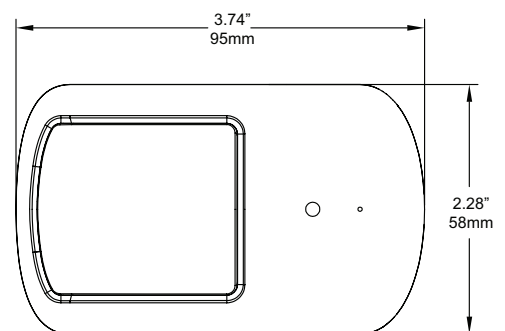
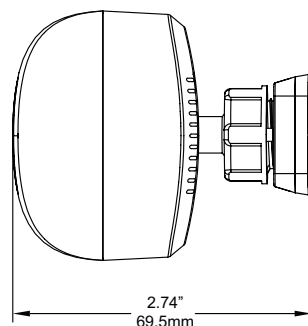
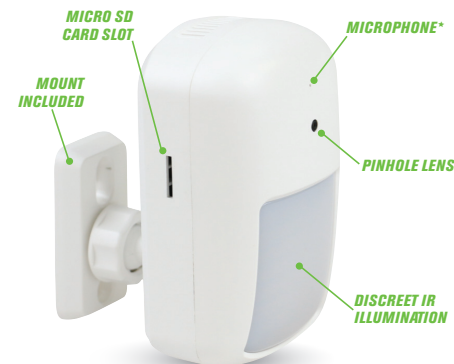
KEY FEATURES

- 1/3" 4.0 Megapixel CMOS Image Sensor Providing a High Definition Image in Low Light Situations
- Up to 25fps @ 4MP (2560 × 1440), 3MP (2304 × 1296), 1080P (1920 × 1080), 720P (1280 × 720), D1, CIF, 480 × 240
- 3.7mm Fixed Iris Lens
- 36pcs IR with up to 33' (10m) IR Range
- Sleek, Compact Design
- Discreet IR Illumination, Nearly Undetectable in Low Light Environments
- 95° Wide Angle - Suitable for Nearly All Indoor Surveillance Monitoring Environments
- True >100dB Wide Dynamic Range
- True Day / Night
- XD-DNR (3D & 2D-DNR) Noise Reduction
- Built-in Mic + 1 Ch. Audio Out
- 16ft. Audio Pick-up Range (5m)
- Motion Detection / Region of Interest (up to 8 Configurable Areas)
Each Region to be Configured Separately
- Dual Stream, H.265+ / H.265 / H.264+ / H.264 Compression
- MicroSD Card Slot for Local Recording (Up to 256GB)
- Remote Viewing via VMS (Microsoft Edge, Chrome, Firefox, and Safari, and iOS & Android Apps)
- ONVIF Compliant
- No Plug-in Req'd, Direct Set-up / Live View / Playback / Record from Browser
- Built-in Easy Wall Mount Included
- 12VDC & PoE (Power over Ethernet) Operation
- 3-Year Warranty



PIR COVERT CAMERA WITH MOTION DETECTION & MORE!

VT-PIRCN-4 is a Covert Surveillance Camera disguised as a Passive Infrared Alarm Motion Detector. Features include virtually invisible 940nm IR Illumination, Video Motion Detection with Region of Interest as well as a built-in microphone and Audio Output. Equipped with a MicroSD Card slot for use in Edge / Redundant recording.



An Eye On Innovation

Sleek and compact design, with easy mounting, straightforward connections and MicroSD card slot.

www.vitekccv.com



SPECIFICATIONS

Image Sensor	1/3" 4MP
Max. Resolution	2560 (H) × 1440 (V)
ROM / RAM	16MB / 64MB
Electronic Shutter speed	Auto / Manual
Min Illumination	Color: 0.001 Lux @ (F1.2, AGC ON), B/W: 0.0001 Lux @ (F1.2, AGC ON), 0 Lux with IR
S / N Ratio	38dB
IRs / Illumination Distance	36 SMD Type IRs / 33' IR (10m)
Illumination On / Off Control	Auto / Manual
Lens Type / Focal Length	Pinhole / 3.7mm
Field of View	95°
Compression	H.265+ / H.265 / H.264+ / H.264
Video Frame Rate	Main Stream: 2560×1440 @ 25fps / 1080p (1920×1080) @ 25fps / 720p (1280×720) @ 25fps Sub Stream: 720 × 576 @ 25 fps / 352 × 288 @ 25 fps
Stream Capability	2 Streams
Resolution	4MP (2560×1440), 1080p (1920 × 1080), 720p (1280 × 720), D1 (720× 576), CIF (352 × 288)
Bit Rate Control	CBR / VBR
Video Bit Rate	Main Stream: 512 / 1024 / 1536 / 2048 / 3072 / 4096 kbps, Sub Stream: 512 / 1024 kbps
Microphone	Built-in microphone -- Supports 16' pick-up range (5m)
Audio	Supports Audio Out
Day / Night	Auto / Manual
WDR	>100dB
Other Features	BLC, HLC, Smart Illum., Defog, Image Mirror, Image Flip, White Balance + Gain Control (Auto/Manual)
Noise Reduction	3D DNR / 2D DNR
Motion Detection	Yes
Region of Interest (RoI)	Yes (8 Areas)
Privacy Masking	Yes (5 Areas)
Network	RJ-45 (10M/100M Base -T)
Cyber Security	Video / Firmware Encryption, Configuration Encryption, IP / MAC Filtering, 802. 1, Trusted Upgrade
Protocol	IPv4, HTTP, TCP / UDP, RTSP, DHCP
Interoperability	ONVIF (Profile S / Profile T), P2P
Storage	MicroSD Card Support (up to 256GB)
Browser	Microsoft Edge, Chrome, Firefox, Safari
Power Supply	12V DC/PoE (802.3af)
Power Consumption	<5W
Operating Conditions (Storage)	14 ~ 122°F / -10 ~ 50°C / Less than 95% RH (14 ~ 122°F / -10 ~ 60°C / Less than 95% RH)
Dimensions (H × W × D)	3.5" × 2.0" × 1.5" (89 × 51 × 38mm)
Weight: Net (Gross)	.23lb / 3.7oz / 105g (.33lb / 5.29oz / 150g)