

VTC-IRM5H-2713/550

Virtuoso COAX 2.1MP Multi-Format "All-in-One" Motorized AF Varifocal Premium Bullet Camera [PRELIMINARY]



KEY FEATURES

- 1/2.8" 2 MegaPixel Sony® STARVIS* CMOS Sensor
- 2 MegaPixel Coax Based Camera (1920 × 1080 @ 30/25fps)
- 5 × 850nm High power LEDs with up to 130' IR Range
- Video output EX-SDI 1.0, 2.0 / HD-SDI / TVI mode / AHD mode / CVI mode or CVBS Selectable
- **VTC-IRM5H-2713** f=2.7~13.5mm F 1.6, 5MP Mtrzd Zoom Lens
VTC-IRM5H-550 f=5.0~50mm F 1.6, 5MP Mtrzd Zoom Lens
- Automatic IR Cut Filter removal with Dual Filter Switch
- True WDR (Wide Dynamic Range) @30/25fps
- ROI (Region of Interest) WDR
- Improved Noise Reduction with XD-DNR
- Motion Detection, Privacy Mask, DeFog, Sens-up(~x32), ROI-WDR, D-WDR, Sharpness, DeBlur, Mirror / Flip, Backlight / Highlight Compensation, Smart IR, Anti-Saturation, Title Set
- OSD Menu & Video Sub-out for Easy Installation and Maintenance
- 1500' HD-Analog Transmission Distance over Coax (Depending on Cable Characteristics and Integrity)
- CoC Control Through HD-TVI (Pelco-C®) or AHD
- One-Touch 3-Axis Locking Bracket, Easy Installation Pad
- AC24V/DC12V
- IP68, Aluminum Cast, Dual window, One-Touch 3-Axis Locking Bracket, Easy Installation Pad
- Circuit protection and Ground Loop Isolation
- 3-Year Warranty



Virtuoso
COAX



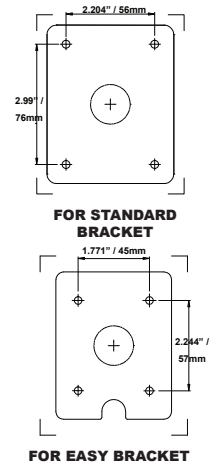
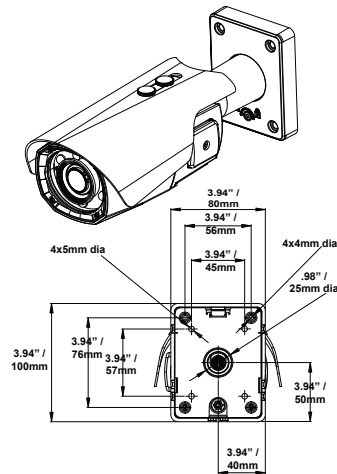
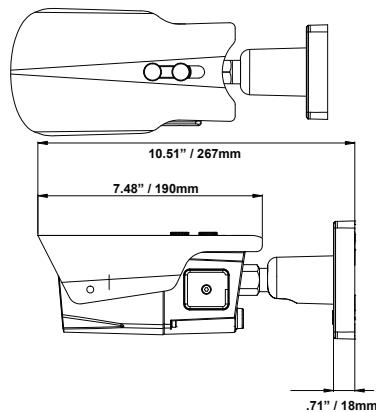
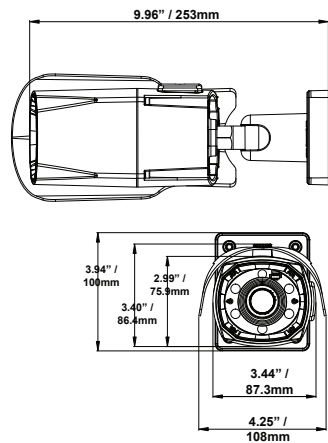
*Sony STARVIS® and Pelco-C® are registered trademarks of an independently owned and operated company. This product has not been licensed or endorsed by the manufacturer of those products.



VIRTUOSO PREMIUM MULTI-FORMAT HD-over-COAX CAMERAS WITH REGION OF INTEREST WDR



ROI (Region of Interest) WDR achieves superior exposure compensation specifically in exact areas of interest while reducing HDD storage space.



ADVANCED STARLIGHT TECHNOLOGY



Advanced Starlight Technology offers dramatically higher sensitivity to light, producing color images in very dark & night scenes.

**Camera Package includes Two Separate Mounting Brackets. The Standard Bracket hangs on the Easy Bracket for Wall Mounting.

An Eye On
Innovation



VTC-IRM5H-2713/550



DETAILED SPECIFICATIONS

Imaging Sensor	1/2.8" 2 MegaPixel Sony STARVIS* CMOS® Sensor
Effective Pixels	1920(H) x 1080(V) x 30p
Scan Frequency	30Hz(V), 22.5Khz(H) Progressive
Video Format	HD: 16:9, 1080p@30fps / CVBS: 16:9 (NTSC)
Video Output	Digital: EX-SDI 1.0/ 2.0/ 2.1, HD-SDI, HD-Analog: TVI mode, AHD mode, SD-Analog: CVBS
Synchronization	Internal
Min. Illumination	Color: 0.08 Lux, B/W: 0.005 Lux (LED Off)
S/N Ratio	More than 50dB (AGC Off)
Lens	VTC-IR5H-2713 f=2.7~13.5mm F 1.6, 5MP Mtrzd Zoom Lens, VTC-IR5H-550 f=5.0~50mm F 1.6, 5MP Mtrzd Zoom Lens
IR LEDs / Range	5pcs x 850nm High power LEDs - 150'
Exposure	Brightness / Shutter / Sens-up / AGC
Focus	Auto / Zoom Push / Manual
Day / Night	True Day / Night by dual filter switch, EXT / AUTO / COLOR / B&W
White Balance	AUTO / AUTOext / MANUAL / PRESET
WDR	True WDR by Dual Scan Images at 30fps/25fps
ROI WDR	YES
DNR	XD-DNR (2D-DNR / 3D-DNR)
D-Zoom	N/A
Image Orientation	Mirror / Flip / Rotate / Normal
Special Features	POI (Point Of Interest) Zoom, Smart Motion Zoom, Preset Zoom, Home Position
Functions	ROI-WDR, D-WDR, Motion Detection, Privacy Mask, Defog, Sens-up(~x32), Sharpness, Mirror/Flip, BLC/HLC,
Ingress Protection	IP-68 Weather Resistance Rating
Remote Control	COC by HD-TVI (Pelco-C®) or AHD
OSD Language	English, Korean, Japanese, Chinese, German
Video Output	VBS 1Vp-p ± 10%, 75Ω
Installation Temp.	-4°F~122°F (-20°C ~ +50°C)
Installation Humidity	20%RH ~ 80%RH
Operating Temp.	-22°F~122°F (-30°C ~ +50°C)
Operating Humidity	20%RH ~ 80%RH
Power Input	AC24V/DC12V
Power Consumption (12VDC)	370mA (IR Off) / 750mA (IR On)
Power Consumption (24VAC)	185mA (IR Off) / 375mA (IR On)
Power Features	Circuit protection against faulty connection in power polarity, and isolated power supply protects against ground
Housing	Aluminum Cast, Dual window, One-Touch 3-Axis Locking Bracket, Easy Installation Pad
Dimensions	4.25" W x 3.94 H x 10.51 L (108 x 100 x 267mm)
Weight (w/ Bracket)	2.98lbs (1.35kg)

*Sony STARVIS® and Pelco-C® are registered trademarks of an independently owned and operated company. This product has not been licensed or endorsed by the manufacturer of those products.

www.vitekccctv.com

