



15 Inch Resistive Touch Value Series Monitor

# V15DX-AB-459G

## VALUE SERIES

GVision's V15DX is a 15" touch screen display designed specifically for use in rugged and harsh point-of-sale (POS) environments. The V15DX has an adjustable base that can be tilted from 0 to 80° and features smart cable management ensuring your unsightly cables and connectors are hidden from your customers. It is the ideal solution for demanding applications that requires a stable monitor and resilient touch screen.



Resistive Touch



DVI-D Digital Input



VGA Analog Input



USB B-Type Touch



RS232 Type Touch



Spill/Dust Resistant

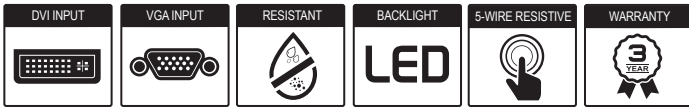


LED Backlight Unit



3-Year Warranty

## 15-Inch / 5-Wire Resistive Touchscreen Monitor



### FEATURES

- 15-Inch Screen Size
- 1024 x 768 Resolution
- Interface: **VGA / DVI / RS232 / USB / RJ45**
- Supports Customer Display & **MSR** (Optional)
- Serial **RS232** and **USB** Touch
- **Spill & Dust Resistant**
- **Smart Cable Management**
- **Resistive** Touch Screen
- Built-in **USB** Hub
- **3-Year** Warranty

### SPECIFICATIONS

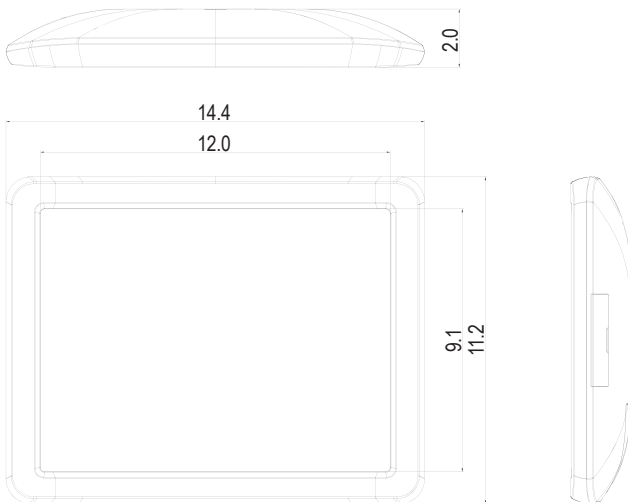
### INPUT INTERFACE



GVision's Value resistive touch monitor supports both DVI digital and VGA analog signal inputs to use as normal desktop monitor or commercial industry that require to use touch function.

### DIMENSIONS

Unit: Inch



DISPLAY	V15DX-AB-459G
Screen Size	15 In
Resolution	1024 x 768
Backlight	LED
Aspect Ratio	4 : 3
Viewing Angle	160° / 160°
Response Time	8ms
Brightness	350cd/m <sup>2</sup>
Contrast Ratio	800 : 1
Color Depth	16.7 M
Display Area (mm)	304.1 x 228.1mm
INTERFACE	
DVI	1
VGA (15 Pin D-Sub)	1
USB / RS232	1 / 1
RJ45	1
TOUCH TECHNOLOGY	
Type	5-Wire Resistive
Interface	RS-232 or USB-B type or Combo
FREQUENCY	
Input Frequency	Horizontal: 31.5-60.2 kHz; Vertical: 56.3Hz-75Hz
AUDIO	
Speakers	Option
CABINET	
Material	Plastic
Color	Black
POWER	
Consumption	< 20W
Electrical Ratings	12V DC ± 5% (AC 100V ~ 240V, 50/60Hz)
TEMPERATURE	
Operating	32° F ~ 104° F (0° C ~ 40° C)
DIMENSIONS (WxHxD)	
Inch (in) w/o Stand	14.4 x 11.2 x 2.0
Millimeter (mm) w/o Stand	365.2 x 286.4 x 51.2
WEIGHT	
Net Weight (w/o Stand)	7.4 lbs (3.5kg)
VESA™	
Mount Size (mm)	75 x 75
COMPLIANT	
Certification	CE / FCC / LVD

*Specifications subject to change without any notice*