

## UA-R580F2 5MP H.265 Super Low Lux WDR Pro Full Color Deep Learning IR Eyeball Dome IP Camera



- High quality imaging with progressive scan CMOS
- Triple streams from H.265, H.264
- Smart warm LEDs
- IR distance up to 30 m (100 ft)
- Built-in microphone
- Built-in micro SD card slot, up to 256 GB
- Ingress protection (IP66)
- DC 12V / PoE (IEEE 802.3af)
- P2P function for GV-Eye app
- ONVIF conformant
- Intelligent analytics: Human & Vehicle Detection

### Specifications

Video		
Imaging Device		1/2.7"
Picture Elements		2880 (H) x 1620 (V)
Scanning System		Progressive CMOS
Min. Illumination	Color	0.005 Lux at F1.0 (AGC On)
	B/W	0 Lux
	IR On	0 Lux
Lens Type		
Lens Type		Fixed
Focal Length (Zoom Ratio)		2.8 mm
Maximum Aperture		F/1.0
Mount		M12
Field of View		Horizontal: 110°, Vertical: 58.7°, Diagonal: 131.6°
Operation	Focus	Fixed
	Zoom	Fixed
	Iris	Fixed
Operation		
IR LED Quantity		2 IR LEDs
Max. IR Distance		30 m (100 ft)
Warm LED Quantity		2 warm LEDs
Max. Warm LED Light Distance		25 m (80 ft)
Type of Complementary Light		Default warm light, switchable infrared light
Backlight Compensation		Off / on (5 zone)
S/N Ratio		39 dB
WDR Pro		Yes
Dynamic Range		Up to 120 dB
Digital Noise Reduction		3D DNR
Motion Detection		Off / on (8 level)
Privacy Masking		Off / on (4 zone, rectangle)
Gain Control		Auto
White Balance		Auto / Manual
Electronic Shutter Speed		1/5 ~ 1/20000 s

Operation		
Flip / Mirror		Flip / Rotation
AI Analytics		Line Crossing Detection / Perimeter Intrusion Detection / Stationary Object Detection / Human & Vehicle Detection / Cross Counting / Queue Length Detection / Crowd Density Detection / Heat Map Statistics / License Plate Detection
Image Setting	Day & Night Mode	Hue, Bright, Contrast, Saturation, Sharpness, IR-CUT Mode, IR-CUT Delay, IR-LED, Low Beam Light, Angle Trad, Mirror, Backlight, White Balance, Shutter, Time Exposure, Defog, 3D Noise Reduction
	Full Color Mode	Hue, Bright, Contrast, Saturation, Sharpness, White Light, Light Distance, Angle Trad, Mirror, Backlight, White Balance, Shutter, Time Exposure, Defog, 3D Noise Reduction
Audio Compression		G.711
Audio Support		One-way audio
Hardware Reset		Yes
Network		
Ethernet		RJ45 (10/100 BASE-T)
Video Compression Format		H.265 / H.264
Resolution	Main Stream	5 MP: 2880 x 1620 4 MP: 2592 x 1520 3 MP: 2304 x 1296 1080P: 1920 x 1080 960P: 1280 x 960 720P: 1280 x 720
	Sub Stream	720P: 1280 x 720 VGA: 640 x 480 QVGA: 320 x 240
	Mobile Stream	VGA: 640 x 480 QVGA: 320 x 240
Max. Frame Rate		50 Hz: 25fps at 5MP/4MP/3MP/2MP/960P/720P/VGA/QVGA 60 Hz: 30fps at 5MP/4MP/3MP/2MP/960P/720P/VGA/QVGA
Video Quality Adjustment		8 Kbps ~ 8 Mbps
Bitrate Control Method		CBR / VBR
Streaming Capability		Triple-Stream (Main / Sub / Mobile)
IP		IPv4
Protocol		TCP/IP, HTTP, DHCP, DNS, DDNS, RTP/RTSP, SMTP, NTP, UPnP, SNMP, HTTPS, FTP
Security		-IP address filter -Complicated password -Authenticated username and password
Streaming Method		Unicast / Multicast
Max. User Account		Max 7 (Admin + 6 user)
Application Programming Interface		ONVIF (Profile S / G / T)
Mechanical		
Camera Angle Adjustment	Pan	0° ~ 360°
	Tilt	0° ~ 80°
	Rotate	0° ~ 360°
Connectors	Power	DC Jack
	Ethernet	Ethernet (10/100 Base-T), RJ45 cable
	Audio	1 in (built-in microphone)
	Local Storage	Micro SD card slot, up to 256GB (SD/SDHC/SDXC) *Class 10, UHS-I, UHS-II card type is not supported.
General		
Operating Conditions		-30 ~ +55°C (-22°F ~ 131°F) / less than ≤ 95% RH

Storage Conditions	-30 ~ +60°C (-22°F ~ 140°F) / less than ≤ 95% RH
<b>General</b>	
Power Source	12V DC, 1A / PoE (IEEE 802.3af)
Max. Power Consumption	7W
Color / Material	White / Metal
Dimensions (Ø x H)	Ø100 x 90 mm (Ø 3.94" x 3.54")
Weight	413 g (0.91 lb)
Ingress Protection	IP66
Regulatory	CE, FCC, LVD, RoHS compliant
<b>Web Interface</b>	
Installation Management	Web-based configuration
Maintenance	Firmware upgrade through Web Browser or Utility
Access from Web Browser	Live View, Change Stream, AI Alarm, Play, Color, Stop, Original Proportions, Stretch, Full Screen, Record, Capture, Digital Zoom, Audio, Pixel Counter
Language	English / German / Spanish / French / Japanese / Italian / Portuguese / Russian / Turkish
<b>Software Application</b>	
Software Supported	Coming soon
Smart Device Access	Coming soon
Live Viewing	IE10/11 Safari V12.1 or later Firefox V52 or later Google chrome V57 or later Edge V79 or later

**Note:**

1. It is required to apply files to the supported software.
2. Product design and specifications are subject to change without notice.

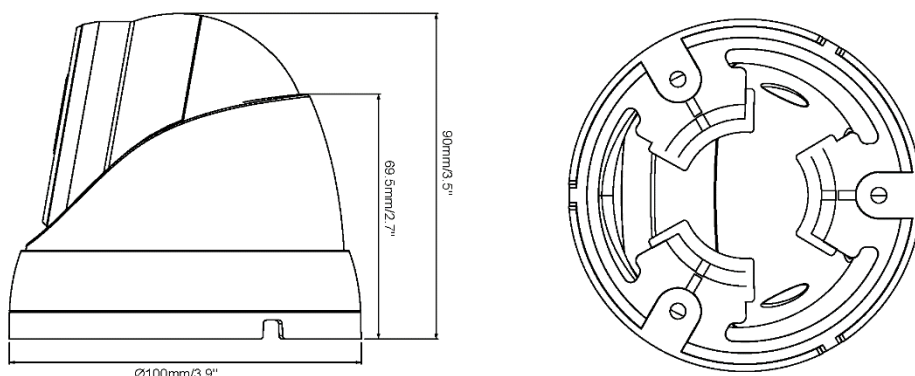
**USA Vision Products Supported**

- Standalone Network Video Recorder: UA-SNVR810-P / UA-SNVR1620-P



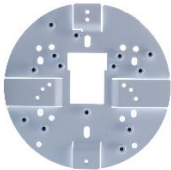

**Packing List**

1. UA-R580F2
2. Waterproof Rubber Set
3. Screw Kit
4. Drill Template Paster
5. Download Guide

**Dimensions**



## Accessories

Model No.	Name		Details
UA-Mount215	Wall Mount Bracket		<p>Dimensions: 155 mm x 75 mm x 132 mm (6.1" x 2.95" x 5.2")</p> <p>Weight: 0.62 kg (1.37 lb)</p>
UA-Mount505	Wall Box Mount		<p>Dimensions: <math>\varnothing</math> 100.5 mm x 56 mm (<math>\varnothing</math> 3.96" x 2.2")</p> <p>Weight: 0.46 kg (1.01 lb)</p>
UA-Mount922	Power Box Mount Bracket		<p>Dimensions: <math>\varnothing</math> 148.00 mm (<math>\varnothing</math> 5.83")</p> <p>Weight: 180 g (0.4 lb)</p>
GV-PA191	Power over Ethernet (PoE) Adapter		<p>GV-PA191 is a Power over Ethernet (PoE) adapter designed to provide power to the IP device through a single Ethernet cable.</p>
GV-POE Switch			<p>The GV-POE Switch is designed to provide power along with network connection for IP devices. The GV-POE Switch is available in various models with different numbers and types of ports.</p>
Power Adapter			<p>Contact our sales representatives for the countries and areas supported.</p>