

# 5MP ColorHunter HD Fixed Turret Analog Camera UAC-T125-AF28(40)M-W



## Overview

UAC-T125-AF28(40)M-W is a 5MP ColorHunter HD fixed turret analog camera with a high-performance 1/2.7-inch CMOS sensor. It supports TVI/AHD/CVI/CVBS, which effectively enhances product adaptability and diversity of networking solutions. With SYV-75-3 or other coaxial cable types, the camera can achieve low-cost, long-distance, and anti-interference mega-pixel HD video transmission without time delay. The camera supports audio input, synchronous transmission of audio and video, and provides 24/7 color images.

## Features

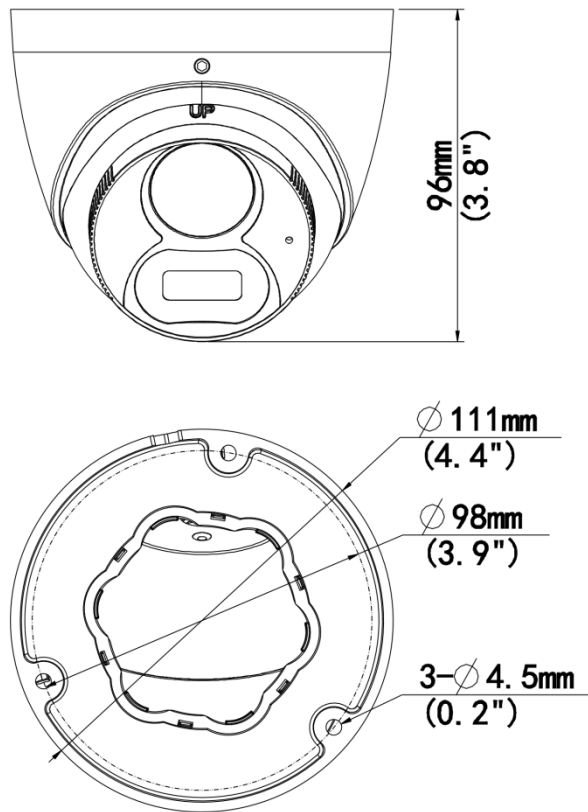
- 5MP high quality imaging
- TVI/AHD/CVI/CVBS
- Supports white light illumination, 24/7 color images
- Supports 180° horizontal flip, 180° vertical flip
- OSD configuration menu, easy to operate
- IP67 waterproof and dustproof design, high reliability
- OSD configuration menu in 11 languages
- Built-in microphone for high quality audio transmission via coaxial cables
- Metal front face and housing
- 3-Axis

## Specifications

Model	UAC-T125-AF28M-W	UAC-T125-AF40M-W
<b>Camera</b>		
Max Resolution	5 MP	
Sensor Size	1/2.7" CMOS	
Min. Illumination	0.005 lux (F1.4, AGC ON) 0 lux (white light on)	
<b>Lens</b>		
Focus	2.8 mm	4.0 mm
Lens Mount	M12	
Angle of View (H)	111.5°	89.6°
Angle of View (V)	58.9°	48.3°
Angle of View (D)	134.8°	106.4°
<b>Illuminator</b>		
Illuminator Number	Two white-light illuminators	
Illumination Distance	40m	
Lifetime	≥ 60000 hours	
<b>Video</b>		
Resolution	5MP@25fps: 2880(H)×1620(V); 5MP@20fps: 2592(H)×1944(V); 5MP@12.5fps: 2592(H)×1944(V) 4MP: 2560(H)×1440(V) 1080P: 1920(H)×1080(V)	
Frame Rate	TVI: 5MP@20fps (default), 5MP@12.5fps, 4MP@25fps, 4MP@30fps, 1080P@25fps, 1080P@30fps AHD: 5MP@20fps, 4MP@25fps, 4MP@30fps, 1080P@25fps, 1080P@30fps CVI: 5MP@25fps, 4MP@25fps, 4MP@30fps, 1080P@25fps, 1080P@30fps CVBS: PAL, NTSC	
Shutter Time	PAL: 1/25s-1/50000s, NTSC: 1/30s-1/50000s	
<b>Image</b>		
Exposure Mode	Four modes: Global (default), BLC, HLC, DWDR	
Day/Night	24/7 color images	
Digital Noise Reduction	2D	
White Balance	Two modes: Auto (default), Manual	
WDR	DWDR	
Flip	Supports 180°horizontal flip, 180°vertical flip	
Digital Defog	N/A	
<b>Audio</b>		
Built-in Mic	Support	
Camera Audio	TVI: 5MP@20fps, 5MP@12.5fps, 4MP@25fps, 4MP@30fps, 1080P@25fps, 1080P@30fps CVI: 5MP@25fps, 4MP@25fps, 4MP@30fps	
<b>Interface</b>		
Power Interface	5.5 mm Power Interface	
Video Output	BNC, supports TVI/AHD/CVI/CVBS	

Operating Environment	
Temperature	-30 °C to 60 °C (-22 °F to 140 °F)
Humidity	≤ 95% RH (non-condensing)
Surge Protection	4 KV for power, 4 KV for video output interfaces
Ingress Protection	IP67
General	
Power	DC 12 V ± 25%
Power Consumption	MAX 3.28W
Mount	Wall Mount, Pole Mount, Corner Mount, Pendant Mount
Dimensions	Φ111mm*96mm (diameter*height)
Material	Metal + Plastic
Weight	356g(0.79lb)

## Dimensions



# Accessories

**TR-JB03-G-IN**

Junction Box for Mini Fix-dome(Support wiring from behind)



TR-CM24-IN

Dome Pendant Mounting Bracket(Indoor)



TR-WM03-D-IN-V2

Wall Mounting Bracket for 32 Fix-dome&Mini Fix-dome&Plastic Turret Camera



PWR-DC1201A-UK

DC12V/1A Wall Plug British Standard Power Adapter



PWR-DC1201B-US

UNV DC12V/1A Wall Plug American Standard Power Adapter(Colorful Bag)



**TR-SE24-A-IN**

Dome Pendant Mounting Pole 500mm



TR-A01-IN

NPT 3/4" Waterproof Cable Gland



TR-UC08-C-V2

Bullet&Dome Corner Mounting Bracket



PWR-DC1201B-UK

UNV DC12V/1A Wall Plug British Standard Power Adapter(Colorful Bag)



PWR-DC1201A-EU

DC12V/1A Wall Plug European Standard Power Adapter



**TR-SE24-IN**

Dome Pendant Mounting Pole 200mm



TR-JB07/WM03-G-IN-V2

Wall Mounting Assembling Bracket For 32 Fix-dome&Mini Fix-dome&Plastic Turret Camera



TR-UP06-C-IN-V2

Pole Mounting Bracket for Bullet Junction Box Only



PWR-DC1201A-US

DC12V/1A Wall Plug American Standard Power Adapter



PWR-DC1201B-EU



UNV DC12V/1A Wall Plug European Standard Power Adapter(Colorful Bag)



PWR-DC1201A-IND  
UNV DC12V/1A Wall Plug Indian  
Standard Power Adapter-Colorful Bag



**Zhejiang Uniview Technologies Co., Ltd.**

-  <http://www.uniview.com>
-  [overseasbusiness@uniview.com](mailto:overseasbusiness@uniview.com); [globalsupport@uniview.com](mailto:globalsupport@uniview.com)
-  No. 369, Xietong Road, Xixing Sub-district, Binjiang District, Hangzhou City, 310051, Zhejiang Province, China



©2023-2025 Zhejiang Uniview Technologies Co., Ltd. All rights reserved.  
\*Product specifications and availability are subject to change without notice.  
\*Despite our best efforts, technical or typographical errors may exist in this document.  
Uniview cannot be held responsible for any such errors and reserves the right to change the contents of this document without prior notice.