

VT-TPTZ32HRAN-8PNS

Transcendent Gen IV NDAA Compliant 8 MegaPixel [4K] 32x IP PTZ with A.I. Powered Facial Detection and Auto-Tracking



KEY FEATURES

- 1/2.8" 8 MegaPixel [4K] SONY STARVIS® Progressive Scan Starlight CMOS Sensor
- NDAA Compliant
- Up to 8.0 MegaPixel [4K] (3840 × 2160) Resolution @ 30fps
- Ultra High-Speed Pan / Tilt / Zoom with 32x Optical Zoom Lens (4.8-154mm Focal Length)
- Smart IR with 650' (200m) IR Range
- Real-Time Auto Zoom Tracking: Transcendent GEN IV IP PTZ Cameras feature the most advanced PTZ Auto-Tracking available, powered by A.I.!
- AI Facial Detection: Transcendent GEN IV Advanced Analytics deliver improved Facial Detection, with up to 95% accuracy!
- Intelligent Tracking: Intelligent tracking is capable of tracking people, cars, and bicycles entering and exiting the camera's view
- True 120dB WDR (Wide Dynamic Range)
- Smart H.265+/H.265/H.264+/H.264/MJPEG Compression
- True Day/Night with ICR Cut Filter with Auto/Manual Gain Control
- 1 Alarm Input + 1 Alarm Output
- 1 Audio Input (MIC in) + 1 Audio Output
- Advanced Starlight Technology Offers Dramatically Higher Sensitivity to Light, Producing Color Images in Very Dark & Night Scenes
- Built-in Micro SD Card Slot, Supporting Local Recording up to 256GB microSD/SDHC/SDXC
- Scalable Video Coding (SVC)
- Stealth Gimbal Driving Technology
- ONVIF Compliant with Zero Configuration + API and SDK
- IP66 Ingress Protection + IK10 Impact (Excludes Glass Window)
- DC24V, 24VAC or PoE++ ***Power Supply Included, PoE Injector Required for PoE Power**
- 1 RJ45 10M/100M Adaptive Ethernet
- Optional Pendant, Semi-Flush, Corner, Pole, and Wall Mounts Available [See rear page]
- 3-Year Warranty

* Please research local, state and federal laws regarding the implementation of audio surveillance



Shown with Optional Universal Gasket Wall VT-TPT25HR-WMG



4K 8MP



SONY STARVIS



TRANSCENDENT SERIES NDAA PTZ IP CAMERA WITH AI POWERED FACIAL DETECTION AND AUTO-TRACKING!

The Transcendent VT-TPTZ32HRAN-8PNS High-Speed IP Pan / Tilt / Zoom (32x Optical) Camera Features Programmable (Smart) Auto-Tracking with Powerful Computer Vision and an Advanced Digital Signal Processor. This enables it to switch among multiple scenarios including Face Detection (FD), and Vehicle / Human Detection. Up to 15 targets (vehicle, human, 2-wheel) can be simultaneously detected with real-time Auto Zoom tracking. It also features IP66 Ingress Protection, IK10, and Smart IR with a range of 650'. Ideally suited to large area perimeter monitoring and intrusion alarm protection, including venues, stadiums, parking lots, ports, and industrial parks.

DC24V/2.5A power supply included in package

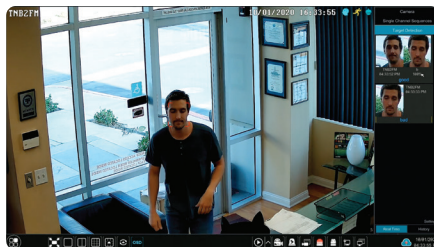


THE TRANSCENDENT "GEN IV" SERIES DELIVERS ADVANCED A.I. TECHNOLOGY:



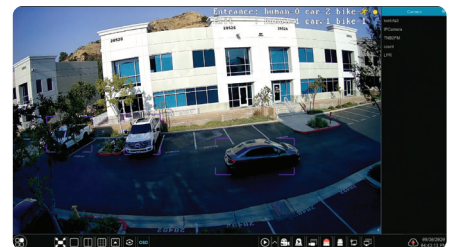
REAL-TIME AUTO ZOOM TRACKING

Transcendent GEN IV IP PTZ Cameras feature the most advanced PTZ Auto-Tracking available, powered by A.I.!



AI FACIAL DETECTION

Transcendent GEN IV Advanced Analytics deliver improved Facial Detection, with up to 95% accuracy!



INTELLIGENT CAR COUNTING

A.I. is also capable of counting people, cars, and bicycles entering and exiting the camera's view

An Eye On Innovation

www.vitekcctv.com





SPECIFICATIONS

Image Sensor	1/2.8" Sony STARVIS® Progressive Scan Starlight CMOS Sensor
Resolution	8.0 MegaPixel (3840 × 2160) Resolution @ 30fps
Min. Illumination	Color: 0.01 Lux @ (F1.2 AGC On) B/W: 0.002 Lux @ (F1.2 AGC On), 0 Lux w/IR
Image setting	Flip, Mirror, Saturation, Brightness, Contrast, Sharpness, AGC, (Adjusted by Client)
Shutter Speed	60Hz: 1/30s - 1/30,000s, 50Hz: 1/25s - 1/25,000s
White Balance	Auto / Manual / Indoor / Outdoor
Day / Night	Auto / Manual + Schedule
Gain Control	Auto / Manual
Iris Control	Auto / Manual
SNR	≥52dB
DNR	XD-DNR (3D-DNR / 2D-DNR) - Auto/Manual
WDR	True WDR (120dB)
IR Range	Up to 656' IR Range (200M), Dual Stack 850nm IR Array
Smart IR	Yes
Image Enhancement	Backlight Compensation (BLC), Highlight Compensation (HLC)
Privacy Mask	4 Programmable Areas, Up to 8 Masks In the Same Frame
Overlay Features	Picture: Custom Logo on video [128×128px], 24bit BMP
On-Screen Display	Max 15 Character / Line, 8 Lines, White or Red Font
Lens / Focal Length	4.8~154mm Lens (32× Optical Zoom)
Zoom Speed	Approx. 4.6s (Optical Zoom, Wide Tele)
Field of View (FOV)	Horizontal: 61.3°~2.18° / Vertical: 36°.9~1.22° / Diagonal: 68.4°~2.5° (Wide-tele) **All listed speeds + / - 5%
Working Distance	Wide: 1.0m ~ INF, Tele: 1.5m ~ INF
Iris	F1.2 ~ F4.4 (wide-tele)
IR Cut type	Removable IR Cut filter
D.O.R.I. f=154mm (US)	Detect (8px/ft): 11575', Observe (19px/ft): 4593', Recognize (38px/ft): 2296', Identify (76px/ft): 1148'
D.O.R.I. f=154mm (Metric)	Detect (25px/M): 3528M, Observe (63px/M): 1400M, Recognize (125px/M): 700M, Identify (250px/M): 350M
D.O.R.I. f=4.8mm (US)	Detect (8px/ft): 453.5', Observe (19px/ft): 179.7', Recognize (38px/ft): 90.8', Identify (76px/ft): 45.4'
D.O.R.I. f=4.8mm (Metric)	Detect (25px/M): 138M, Observe (63px/M): 54.8M, Recognize (125px/M): 27.8M, Identify (250px/M): 13.8M
Pan Range / Speed	360° Endless, Configurable from .5°/s ~ 120°/s; Preset speed: 150°/s
Tilt Range / Speed	-5°~90° [Auto-Flip] / Configurable, from .5°/s ~ 120°/s; Preset speed: 150°/s
PTZ Features	Proportional Zoom, Pwr-Off Memory, 3D Position, PTZ Position Display
Preset / Cruise	360 / 8 Cruises, Up to 16 Presets for Each Cruise
Tracks	4 Tracks, Record Time Over 3 Minutes for Each Track
Scheduled Tasks	Preset / Cruise / Track / Random Scan / Boundary Scanning / Dome Reboot
Max Resolution	3840 × 2160

SPECIFICATIONS (Continued)

Main Stream	60Hz: 30fps:3840 × 2160,2560 × 1440,1920 × 1080,1280 × 960,1280 × 720 50Hz: 25fps: 3840 × 2160,2560 × 1440,1920 × 1080,1280 × 960,1280 × 720
Sub Stream	60Hz: 30fps (704 × 480, 640 × 480, 352 × 240) 50Hz: 25fps: (704 × 576, 640 × 480, 352 × 288)
Third Stream	60Hz: 30fps (1920 × 1080, 1280 × 960, 1280 × 720, 704 × 480, 640 × 480, 352 × 240) 50Hz: 25fps (1920 × 1080, 1280 × 960, 1280 × 720, 704 × 576, 640 × 480, 352 × 288)
Video Compression	H.265+/H.265/H.264+/H.264/MJPEG
Compression Standards	H.265: HEVC Codec MP, Level 5.0, H.264: AVC codec BP/MP/HP, Level 5.1
Video Bit Rate	64Kbps to 16Mbps
Audio Compression / Bit Rate	G.711A/U / 64Kbps
Deep Learning Engine	Supports Face Recognition (FR) up to 15 Human Faces / Sec (max), Human/Vehicle Detection
Smart Auto Tracking	Auto Tracking (supports tracking specified target types such as human and vehicle), Manual Tracking
Basic Event Detection	Motion detection, Video Tampering, Exception (Network Disconnected, IP Address Conflict, SD Card Full / Error)
Smart Event Detection	Trip Wire (+ Bi-Directional), Intrusion / Line Crossing / Region Entering + Exiting, Support Alarm Triggering by Specified Target Types (Human / Vehicle), Un-attended Baggage, Object Removal, Auto / Manual Smart Tracking
Gen. IV Advanced Analytics	Face Detection (15 Faces Simultaneously), Detect, Track, Capture + Vehicle / Non Vehicle Detection & Tracking
Protocols	HTTP, HTTPS, IPv4/IPv6, 802.1x, QoS, FTP, SMTP, UPnP, SNMP, DNS, DDNS, NTP, RTSP, RTCP, RTP, TCP/IP, UDP, DHCP, PPPoE
Audio Interface	1 Audio Input (MIC in), 1 Audio Output, Line Level, Impedance, 600Ω*
Alarm Interface	1 Alarm Input (Dry Contact); 1 Alarm Output
Alarm Linkage	Alarm Actions, Including Preset, Cruise, Track, Memory Card Video Record, Trigger Recording, Upload to FTP/Memory, Card, Send Email
Reset Button	Yes
Live View Connections	Up to 6 Simultaneous Live View Connections
User/Host	Up to 16 users, 3 levels: Administrator, Advanced and Normal Users
Security Measures	User Authentication (ID and PW), Host authentication (MAC address); HTTPS encryption., IEEE802.1x port-based net account control; IP address filtering
Web Browser	Internet Explorer (IE) - Plug-in Required, Edge in IE Mode
Network Interface	1 RJ45 10M/100M Adaptive Ethernet, Support PoE++(802.3.bt)
API	ONVIF, Third-Party Integration
CVBS (BNC), RS485	NA
On-Board Storage	Built-in microSD/SDHC/SDXC card slot, up to 256GB
Thermal Management	Internal Heater and Fan, Hot Air Blows on Glass to Remove Frost, Ice, Remove Water-Droplets w/ Quick Spinning
Lens Wiper	NA
Working Environment	-40°C ~ 65°C (-40°F ~ 149°F), Cold start at - 30°C (0.5 Hour Warm-up Time), ≤90%RH Non-condensing
Weather Rating / Protection	IP66, 6000V (Lightning, Surge, and Voltage Transient Protection)
Impact Protection	IK10 (Excluding Glass Window)
Power	DC24V/24VAC@ 2.5amps, PoE++ (34W with IR on, PTZ Working) Power Supply Included, PoE Injector Required for PoE Power
Dimensions and Weight	7.7" × 12.5" (196mm × 307mm), 8.31lb (3.7kg)

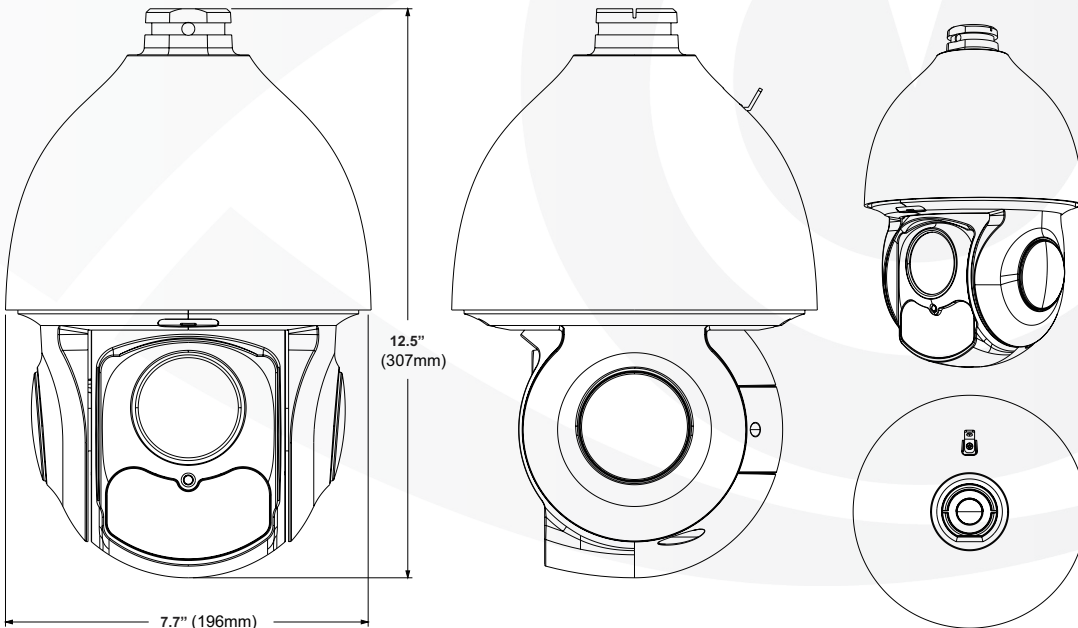
* Please research local, state and federal laws regarding the implementation of audio surveillance

** SONY™ is an independent and wholly owned corporation and has not tested or verified this product's compatibility with this sensor.

VT-TPTZ32HRAN-8PNS



DIMENSIONS



VT-TWM36
Optional 3' (1M) Extended Wall Mount - White



VT-TPT25HR-WMG
Optional Universal Gasket Wall Mount for Transcendent IP PTZs



VT-TPT20HR-PM
Optional Ceiling/Pedestal Mount



VT-TPLMT-W
Transcendent Universal Pole Mount Adapter - White (reqs. VT-TPT25HR-WMG)



VT-TCNMT-W
Transcendent Universal Corner Mount Adapter - White (reqs. VT-TPT25HR-WMG)

VT-TPLM36
Optional 3' (1M) Extended Pole Mount Bracket - White



VT-TCNM36
Optional 3' (1M) Extended Corner Mount Bracket - White



INCLUDED POWER SUPPLY
24VDC 2.5amp Power Supply



VT-POE60
60 Watt POE Mid-Span Injector, 4-Pair Compliant
VT-POE95
95 Watt POE Mid-Span Injector, 4-Pair Compliant



Pair With Transcendent IP NVRs, HDA DVRs, Bridge or Spire Series Recorders!

Pair with one of several VITEK Transcendent Series Network or Digital Recorders offering a Myriad of Advanced Analytic Functions and Applications! See www.vitekccv.com for More!

An Eye On Innovation

www.vitekccv.com

