

VT-TPTZ25HRAN-8PNL

Transcendent Gen. IV 8 MegaPixel [4K] 25x NDAA Compliant IP PTZ with A.I. Powered Facial Recognition and Auto-Tracking



KEY FEATURES

- 1/2.8" Sony STARVIS® 8 MegaPixel [4K] Progressive Scan CMOS STARLIGHT Sensor
- Up to 8 MegaPixel (3840 × 2160) Max Resolution @ 30fps
- Ultra High-Speed Pan / Tilt / Zoom with 25x Optical Zoom Lens (4.8-120mm Focal Length)
- 3.6s Zoom Speed (Optical, Wide-Tele), F1.65~F3.8 Aperture Range
- Smart IR with up to 492' (150m) IR Range
- Smart H.265+/H.265/H.264+/H.264/MJPEG Compression
- Real-Time Auto Zoom Tracking: Transcendent Gen. IV IP PTZ Cameras Feature the Most Advanced PTZ Auto-Tracking Available, Powered by A.I.
- Gen. IV Advanced Analytics: Intrusion Detection, Line Crossing, Region Entrance / Exit, Target Counting [All by Human / Vehicle Classification] Scene Change, Face Detection / Capture
- Backlight / Highlight Compensation, Auto-White Balance, Gain Control, Day / Night
- True 120dB WDR (Wide Dynamic Range)
- 360 Presets, 8 Cruises, up to 16 Presets / Cruise + 4 Tracks (3+ Min. Recording / Track)
- 1 Ch. Audio In + Out*
- 1 Ch. Alarm In + Out
- Advanced Starlight Technology Offers Dramatically Higher Sensitivity to Light, Producing Color Images in Very Dark & Night Scenes
- True Day/Night with ICR Cut Filter with Auto/Manual Gain Control
- 360° Endless Pan Range, Configurable Speed: .1~200°/s + 240°/s Preset
- Built-in MicroSD Card Slot, Supporting Local Recording up to 256GB
- IP66 Ingress Protection + IK10 [Excluding Glass] Impact Rating
- 12VDC Power [12VDC 3Amps Power Supply Included in Package] or PoE+ (802.3.at, class 3) *PoE Injector Required for PoE Power - See Rear Page
- Reset Button, Heater, Fan, Water Removal with Quick Spinning
- 1 RJ45 10M/100M Adaptive Ethernet (Supports PoE 802.3.at)
- Optional Pendant, Semi-Flush, Corner, Pole, and Wall Mounts Available (see rear page)
- Compact Aluminum Alloy + Plastic (Glass Fiber 15%) Housing -- see rear page for full dimensional drawings
- 3-Year Warranty



Shown with Optional Wall Mount VT-TPT25HR-WMG

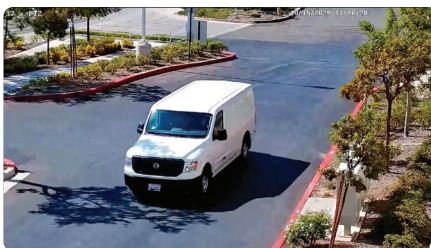


TRANSCENDENT "GEN IV" SERIES PTZ IP CAMERA WITH AI POWERED FACIAL RECOGNITION AND AUTO-TRACKING!

The Transcendent VT-TPTZ25HRAN-8PNL NDAA Compliant High-Speed IP Pan / Tilt / Zoom (25X Optical) Camera with Programmable (Smart) Auto-Tracking, features a Deep-Learning Engine with a powerful Computer Vision and Digital Signal Processor. This supports multiple Advanced Analytic functions including Face Recognition (FR), and Vehicle / Human Detection. Up to 15 targets (vehicle, human, 2-wheel) can be simultaneously detected with real-time Auto Zoom tracking. It also features IP66 Ingress Protection and Smart IR with a range of over 490'. Power supply included in package.

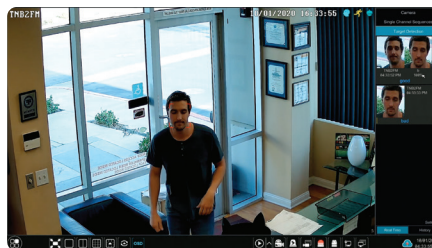


THE TRANSCENDENT "GEN IV" SERIES DELIVERS ADVANCED A.I. TECHNOLOGY:



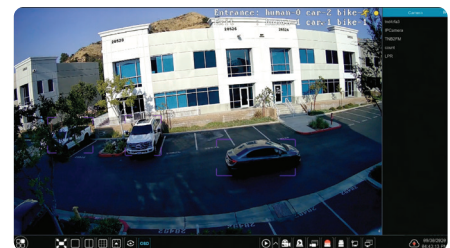
REAL-TIME AUTO ZOOM TRACKING

Transcendent GEN IV IP PTZ Cameras feature the most advanced PTZ Auto-Tracking available, powered by A.I.!



AI FACIAL RECOGNITION

Transcendent GEN IV Advanced Analytics deliver improved Facial Recognition, with up to 95% accuracy!



INTELLIGENT CAR COUNTING

Intelligent tracking is also capable of counting people, cars, and bicycles entering and exiting the camera's view

An Eye On Innovation

www.vitekctv.com



VT-TPTZ25HRAN-8PNL



SPECIFICATIONS

Image Sensor	1/2.8" Sony STARVIS® STARLIGHT Progressive Scan CMOS Sensor
Resolution	8.0 MegaPixel (3840 × 2160) Resolution @ 30fps
Min. Illumination	Color: 0.01 Lux @ (F1.65 AGC On) B/W: 0.002 Lux @ (F1.65 AGC On), 0 Lux w/IR
Image Setting	Flip, Mirror, Saturation, Brightness, Contrast, Sharpness, AGC, (Adjusted by Client)
Shutter Speed	1/1s ~ 1/100,000s
White Balance	Auto / Manual / Indoor / Outdoor
Day / Night	Auto / Manual + Schedule
Gain Control	Auto / Manual
Iris Control	Auto / Manual
SNR	≥55dB
DNR	XD-DNR (3D-DNR / 2D-DNR) - Auto/Manual
WDR	True WDR (120dB)
IR Type / Distance	Smart IR - Up to 492' IR Range (150M)
Smart IR	Yes
Image Enhancement	Backlight Compensation (BLC), Highlight Compensation (HLC)
Privacy Mask	4 Areas, up to 4 Masks in a Single Frame
Overlay Features	Picture: Custom Logo on video [128x128px], 24bit BMP, OSD: Max 15 Character / Line, 8 Lines, White or Red Font
Lens / Focal Length	4.8~120mm Lens (25x Optical Zoom) w/3.6s Zoom Speed, and Digital Zoom
Zoom Speed	Approx. 3.6s (Optical Zoom, Wide Tele)
Field of View (FOV)	Horizontal: 55°~2.4° / Vertical: 33°~1.4° / Diagonal: 61.5°~2.8° (Wide-tele) **All listed speeds + / - 5%
Working Distance	Wide: 1.0m ~ INF, Tele: 1.5m ~ INF
Aperture Range	F1.65 ~ F3.8 (wide-tele)
Iris Type	DC-IRIS(Hall sensor, 16 Stops), F1.65 ~ F3.8 (wide-tele)
IR Cut type	Removable IR Cut filter
D.O.R.I. (US)	Detect (8px/ft): 8930', Observe (19px/ft): 3543', Recognize (38px/ft): 1772', Identify (76px/ft): 886'
D.O.R.I. (Metric)	Detect (25px/M): 2722M, Observe (63px/M): 952M, Recognize (125px/M): 540M, Identify (250px/M): 270M
Pan Range / Speed	360° Endless, Configurable from .1°/s ~ 200°/s; Preset speed: 240°/s
Tilt Range / Speed	-10°~90° [Auto-Flip] / Configurable, from 0.1/s~200°/s, Preset speed: 240°/s
PTZ Features	Proportional Zoom, Pwr-Off Memory, 3D Position, PTZ Position Display
Preset / Cruise	360 / 8 Cruises, Up to 16 Presets for Each Cruise
Tracks	4 Tracks, Record Time Over 3 Minutes for Each Track
Scheduled Tasks	Preset / Cruise / Track / Random Scan / Boundary Scanning / Dome Reboot
Max Resolution	3840 × 2160

Continued on following page ...



SPECIFICATIONS (Continued)

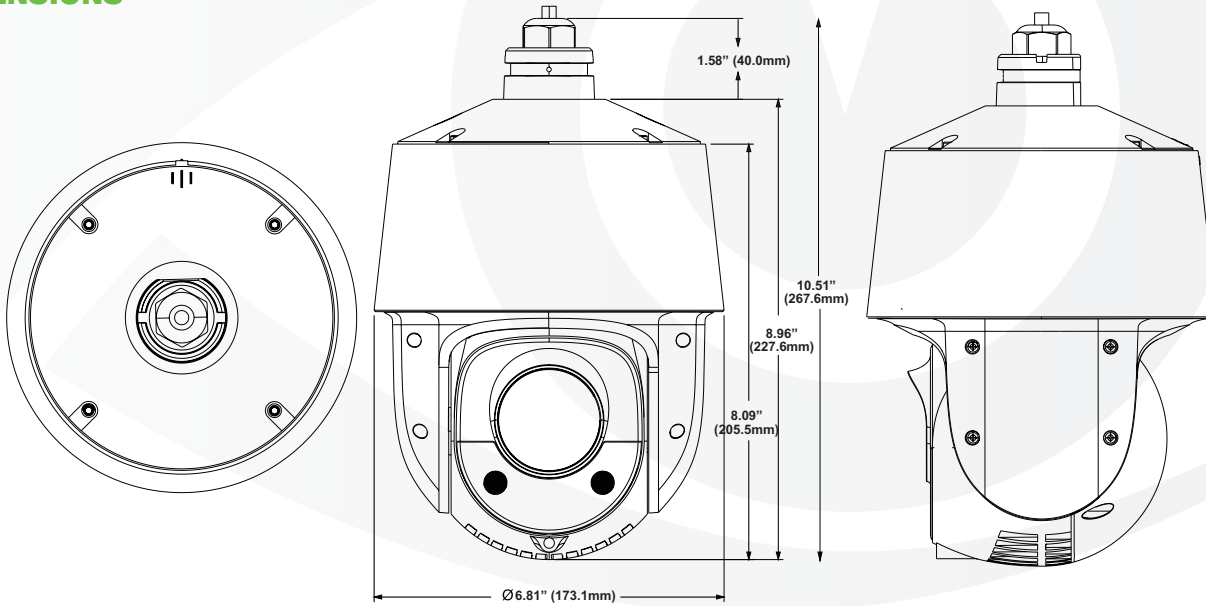
Main Stream	60Hz: 30fps:3840 × 2160,2560 × 1440,1920 × 1080,1280 × 960,1280 × 720 50Hz: 25fps: 3840 × 2160,2560 × 1440,1920 × 1080,1280 × 960,1280 × 720
Sub Stream	60Hz: 30fps (704 × 480, 640 × 480, 352 × 240) 50Hz: 25fps: (704 × 576, 640 × 480, 352 × 288)
Third Stream	60Hz: 30fps (1920 × 1080, 1280 × 960, 1280 × 720, 704 × 480, 640 × 480, 352 × 240) 50Hz: 25fps (1920 × 1080, 1280 × 960, 1280 × 720, 704 × 576, 640 × 480, 352 × 288)
Video Compression	H.265+/H.265/H.264+/H.264/MJPEG
Compression Standards	H.265: HEVC Codec MP, Level 5.0, H.264: AVC codec BP/MP/HP, Level 5.1
Video Bit Rate	64Kbps to 16Mbps
Audio Compression / Bit Rate	G.711A/U / 64Kbps
Deep Learning Engine	Supports Face Recognition (FR) up to 15 Human Faces / Sec (max), Human/Vehicle Detection
Smart Auto Tracking	Auto Tracking (supports tracking specified target types such as human and vehicle), Manual Tracking
Basic Event Detection	Motion detection, Video Tampering, Exception (Network Disconnected, IP Address Conflict, SD Card Full / Error)
Smart Event Detection	Trip Wire (+ Bi-Directional), Intrusion / Line Crossing / Region Entering + Exiting, Support Alarm Triggering by Specified Target Types (Human / Vehicle), Un-attended Baggage, Object Removal, Auto / Manual Smart Tracking
Gen. IV Advanced Analytics	Face Detection (15 Faces Simultaneously), Detect, Track, Capture + Vehicle / Non Vehicle Detection & Tracking
Protocols	HTTP, HTTPS, IPv4/IPv6, 802.1x, QoS, FTP, SMTP, UPnP, SNMP, DNS, DDNS, NTP, RTSP, RTCP, RTP, TCP/IP, UDP, DHCP, PPPoE
Audio Interface	1 Audio Input (MIC in), 1 Audio Output, Line Level, Impedance, 600Ω
Alarm Interface	1 Alarm Input (Dry Contact); 1 Alarm Output
Alarm Linkage	Alarm Actions, Including Preset, Cruise, Track, Memory Card Video Record, Trigger Recording, Upload to FTP/Memory, Card, Send Email
Live View Connections	Up to 6 Simultaneous Live View Connections
User/Host	Up to 16 users, 3 levels: Administrator, Advanced and Normal Users
Security Measures	User Authentication (ID and PW), Host authentication (MAC address); HTTPS encryption., IEEE802.1x port-based net account control; IP address filtering
Web Browser	Internet Explorer (IE) - Plug-in Required, Edge in IE Mode
API	ONVIF, Third-Party Integration
CVBS (BNC), RS485	NA
On-Board Storage	Built-in microSD/SDHC/SDXC card slot, up to 256GB
Network Interface	1 RJ45 10M/100M Adaptive Ethernet (Support PoE+ 802.3.at)
Thermal / Weather Management	Internal Heater and Fan + Quick Spin Water Removal
Reset Button	YES
Working Environment	-40°F~140°F (-40°C~60°C), 90% RH [STORAGE CONDITIONS: -40°F~158°F (-40°C~70°C), 95% RH]
Cold Start	-22F / - 30°C (30 Minutes Waiting Time), 90% RH
Weather / Impact / Protection	IP66 + IK10 (Excl. Glass Window), 6000V (Lightning, Surge, and Voltage Transient Protection)
Power	12VDC @ 3amps (3000mA), PoE+ (24W with IR on, PTZ) *Power Supply Included, **PoE Injector Required for PoE Power
Dimensions and Weight	6.81" × 10.51" (173mm × 268mm), NET: 4.85lb (2.2kg) / SHIPPING: 7.50lb (3.4kg)

*Please research local, state and federal laws regarding the implementation of audio surveillance
www.vitekctv.com

VT-TPTZ25HRAN-8PNL



DIMENSIONS



OPTIONAL MOUNTS & POPULAR ACCESSORIES



VT-TPT20HR-FM
Semi-flush Mount for VT-TPTZ25HRAN-4PNL



VT-TPT25HR-WMG
Optional Universal Gasket Wall Mount for Transcendent IP PTZs



VT-TPT20HR-PM
Optional Ceiling/Pedestal Mount for Transcendent IP PTZs, including VT-TPTZ25HRAN-4PNL



VT-TPLMT-W
Transcendent Universal Pole Mount Adapter - White (reqs. VT-TPT25HR-WMG)



VT-TCNMT-W
Transcendent Universal Corner Mount Adapter - White (reqs. VT-TPT25HR-WMG)



VT-TWM36
Optional 3' (1M) Extended Wall Mount - White



VT-TPLM36
Optional 3' (1M) Extended Pole Mount Bracket - White



VT-TCNM36
Optional 3' (1M) Extended Corner Mount Bracket - White



INCLUDED POWER SUPPLY

12VDC 3amp Power Supply



VT-POE60

60 Watt POE Mid-Span Injector, 4-Pair Compliant

VT-POE95

95 Watt POE Mid-Span Injector, 4-Pair Compliant



Pair With Transcendent IP NVRs, HDA DVRs, Bridge or Spire Series Recorders!

Pair with one of several VITEK Transcendent Series Network or Digital Recorders offering a Myriad of Advanced Analytic Functions and Applications! See www.vitekccv.com for More!

An Eye On Innovation

www.vitekccv.com

