



Explosion Proof      Network

# TNO-X6323EPT1-Z

2MP Network Explosion Proof Zoom Camera



## Key Features

- 2MP (1920 x 1080) resolution
- 4.44 - 142.6mm lens (32x Optical Zoom)
- H.265, H.264, MJPEG codec support
- Multiple streaming, WiseStreamII support
- Day & Night (ICR), WDR (120dB)
- DIS with Built-in Gyro sensor
- SD Memory slots (Maximum 256GB)
- Hazardous Rated for Class I II III Division 1 Groups B, C, D, E, F, G cFMus Approved and II 2 G Ex db IIB+H2 II 2 D Ex tb IIIC IECEx ATEX certified
- Powder-coated aluminum housing

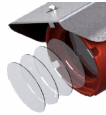
Cameras are supplied with the accessories shown below



**HT-F2XX-GM**  
General Mount



**HT-SF-FP**  
Protection Cable  
supplied with  
camera unit

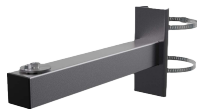


**HT-F2XX-TO**  
Protective Lens  
Film

## Accessories (Optional)

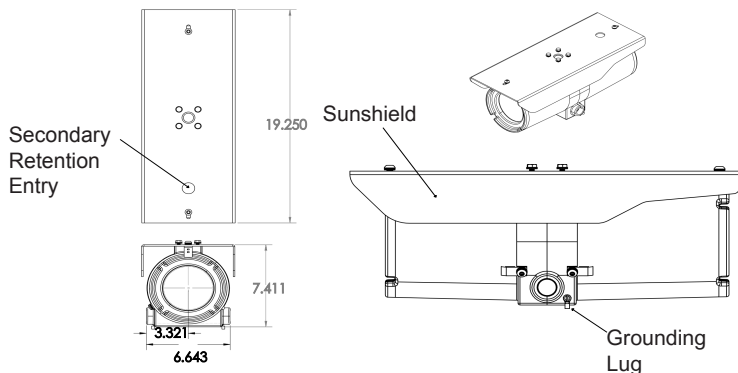


**F2XX-WM**  
Wall Mount Bracket



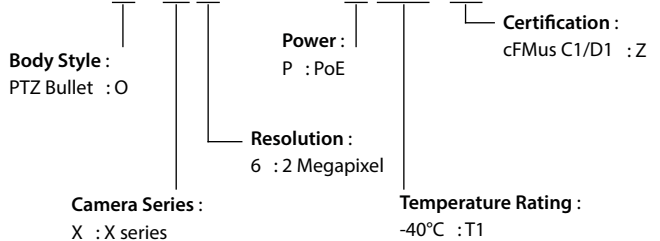
**F2XX-PM**  
Pole Mount Bracket

## Dimensions



## Model Number

# TNO-X6323EPT1-Z



# TNO-X6323EPT1-Z

2MP Network Explosion Proof Zoom Camera

## Specifications

VIDEO	
Imaging Device	1/2.8"2MPCMOS
Total Pixels	1,981(H)x 1,288(V)2.55MP
Effective Pixels	1,944(H)x 1,212(V)2.35MP
Scanning System	ProgressiveScan
Minimum Illumination	Color: 0.05Lux(1/30sec, F1.6), B/W: 0.005Lux(1/30sec, F1.6)
S/N Ratio	50dB
Video Out	CVBS: 1.0Vpp / 75Ω composite, 720x 480, for installation, USB: Micro USB Type B, 1280x720 for installation
LENS	
Focus Control	Auto / Manual / One Shot AF
Lens Type	DC auto Iris, Board in-type
Focal Length / Angular FoV	4.4 ~ 142.6mm (Optical 32x), H: 61.8° (Wide) ~ 2.19° (Tele) / V: 36.2° (Wide) ~ 1.24° (Tele)
OPERATIONAL	
Camera Title	Off/On (Displayed up to 85 characters)- English/ Numeric/ International characters/ Special characters- Common: Multi-line (Max.5), Color (Grey/ Green/ Red/ Blue/ Black/ White), Transparency Auto scale by resolution
Day & Night	Auto (ICR)/ Color/ B/W/ External/ Schedule
Backlight Compensation	Off/ BLC/ HLC (Masking/ Dimming), WDR
Wide Dynamic Range (WDR)	150dB
Contrast Enhancement	SSDR (Off/ On)
Digital Noise Reduction	SSNRV (2D + 3D noise filter) (Off/ On)
Digital Image Stabilization	Off/ On (Built-in Gyro sensor)
Defog	Off/ Auto (Input from fog detection)/ Manual
Motion Detection	Off/ On (8ea, 8 point polygonal zones), Handover
Privacy Masking	Off/ On (32ea, Polygonal)- Color: Grey/ Green/ Red/ Blue/ Black/ White, Mosaic
Gain Control	Off/ Low/ Middle/ High/ Manual
White Balance	ATW/ AWC/ Manual/ Indoor/ Outdoor (Included mercury & sodium)
Contrast	Level adjustment
LDC (Lens Distortion Correction)	Off/ On (5 levels with minimum/ maximum)
Electronic Shutter Speed	Minimum/ Maximum/ Antiflicker (2 ~ 1/12,000sec)
Digital PTZ	24x, Digital PTZ (Preset, Group)
Flip / Mirror	Off/ On, Hallway view: 90° / 270°
Video & Audio Analytics	Tampering, Loitering, Directional detection, Defocus detection, Fog detection, Virtual line, Enter / Exit, (Dis) Appear, Audio detection, Face detection, Motion detection, Digital auto tracking, Sound classification
Alarm I/O	Input 1ea / Output 1ea
Remote Control Interface	RS-485
RS-485 Protocol	Samsung-T/E, Pelco-P/D, Sungjin, Panasonic, Honeywell, AD, Vicon, GE, Bosch
Alarm Triggers	Alarm input, Motion detection, Video & Audio analytics, Network disconnect
Alarm Events	File upload via FTP and E-Mail, Notification via E-Mail, Local storage (SD/SDHC/SDXC) or NAS recording at alarm triggers, External output, DPTZ preset
Pixel Counter	Support

# TNO-X6323EPT1-Z

NETWORK	
Ethernet	RJ-45(10/100BASE-T)
Video Compression Format	H.265/ H.264(MPEG-4part 10/AVC):Main/ Baseline/ High,MJPEG
Resolution	1920x 1080, 1280x 1024, 1280x 960, 1280x 720, 1024x 768, 800x 600, 800x 448, 720x 576, 720x 480, 640x 480, 640x 360, 320x 240
Maximum Framerate	<b>H.264 / H.265</b> : Max.60fpsat all resolutions, <b>MJPEG</b> : Max.30fps
Smart Codec	Manualmode (Area-based)Sea
WiseStream II	Support
Video Quality Adjustment	<b>H.265 / H.264</b> : Targetbitratelevel control, <b>MJPEG</b> : Targetbitratelevel control
Bitrate Control Method	<b>H.265 / H.264</b> : CBRor VBR, <b>MJPEG</b> : VBR
Streaming Capability	MultipleStreaming(Up to 10 profiles)
Audio In	Selectable(Micorphonein / Line in),Maximumoutputlevel:1 Vrms Supplyvoltage:2.5VDC (4mA),Inputimpedance:approx.2K Ohm
Audio Out	Line out,Maximumoutputlevel:1Vrms
Audio Compression Format	G.711 u-law/G.726selectable,G.726(ADPCM)8KHz,G.7118KHz G.726: 16Kbps,24Kbps,32Kbps,40Kbps,AAC-LC: 48Kbpsat 8/16/32/48KHz
Audio Communication	Bi-directional(2-way)
IP	IPv4,IPv6
Protocol	TCP/IP,UDP/IP,RTP(UDP),RTP(TCP),RTCP,RTSP,NTP,HTTP,HTTPS,SSL/TLS,DHCP,PPPoE,FTP,SMTP,ICMP,IGMP,SNMPv1/v2c/v3(MB-2),ARP, DNS,DDNS,QoS,PIM-SM,UPnP,Bonjour
Security	HTTPS(SSL)login authentication,Digestlogin authentication IP addressfiltering,User access log,802.1X authentication(EAP-TLS,EAP-LEAP)
Streaming Method	Unicast/ Multicast
Maximum User Access	20 usersat unicastmode
Edge Storage	SD/SDHC/SDXC2 slots (Up to 512GB)- Continuousrecording(1st slot to 2nd slot)NAS (NetworkAttachedStorage), Local PC for instantrecording
Application Programming Interface	ONVIF ProfileS/G, SUNAPI(HTTPAPI), WisenetOpen Platform
Webpage Language	English,Korean,Chinese,French,Italian,Spanish,German,Japanese,Russian,Swedish,Portuguese,Czech,Polish,Turkish, Dutch,Hungarian,Greek
Web Viewer	<b>Supported OS</b> : Windows7, 8.1, 10, Mac OS X 10.10,10.11,10.12 <b>Plugin-Free Webviewer</b> <b>- Supported Browser</b> : Google Chrome 54, MS Edge 38, MozillaFirefox(49Windows64bit only), MS Internet Explorer11, Apple Safari9 *Mac OS X only
Central Management Software	WisenetWAVE,SmartViewer,SSM

ENVIRONMENTAL	
Operating Temperature PoE only	-50°C ~ +55°C (-58°F ~ +131°F)
Storage Temperature / Humidity	-50°C ~ +60°C (-58°F ~ +140°F) / Less than 90% RH
Ingress Protection	Type 4x / IP66

ELECTRICAL	
Input Voltage	<b>Camera</b> : PoE (IEEE802.3bt)
Power Consumption	<b>Camera</b> : Maximum90W (PoE++)

MECHANICAL	
Color / Material	RAL2000-YellowOrange/ Powder-coatedAluminum
Dimensions (WxHxD)	19.25(L) x 7.41(H) x 6.64(W) in (498 x 188 x 163 mm)
Weight	27 - 29 lbs (12.2 - 13.2 kgs)

Certified Model Number	F203-XNZ-L6320A-01-01
------------------------	-----------------------

**SPECIAL LED IN EXPOSURE PROOF TECHNOLOGY**  
8935 ALMEDA GENSU RD. HOUSTON, TEXAS 77075 USA

**SERIAL:**

Device US/Canada: Class I Division 1 Groups BCD, Type 4X, IP66  
 Class II/III Division 1 Groups EFG, Type 4X, IP66  
 Class I, Zone 1, AEx/Ex db IIB+H2 Gb, Type 4X, IP66  
 Zone 21, AEx/Ex tb IIC D, Type 4X, IP66  
 II 2 G Ex db IIB+H2 Gb, IP66  
 II 2 D Ex tb IIC D, IP66

CERT NO. FM24U0200X & FM24C0056K Ex IMA3 24-0028X & FM24ATEX0028X  
 WARNING: DO NOT OPEN WHEN ENERGIZED OR WHEN AN EXPLOSIVE ATMOSPHERE MAY BE PRESENT. Insuff and with 38 inches.  
 WARNING: SYSTEME A ELECTROSTATIQUE CHARGING HAZARD - SEE INSTRUCTION NOTE FOR BATTERY RECHARGE BY LEAD. SEE INSTRUCTION  
 AVERTISSEMENT: NE PAS OUVRIRE L'APPAREIL ENERGISE OU QUAND UNE ATMOSPHERE EXPLOSIVE PEUT ETRE PRESENTE. Les joints de fermeture  
 sont lubrifies avec une substance de 38 pouces.  
 AVERTISSEMENT: RISQUE DE CHARGE ELECTROSTATIQUE POTENTIEL. VOIR LES INSTRUCTIONS. REMARQUE: POUR LES DETAILS SUR LE  
 RECHARGEMENT DE LA BATTERIE, VOIR LES INSTRUCTIONS.

MADE IN USA

TABLE 1		TABLE 2	
TYPE	TEMPERATURE	TYPE	TEMPERATURE
1	0°C to 55°C	1	0°C to 55°C
2	-50°C to 55°C	2	-50°C to 55°C
3	-50°C to 55°C	3	-50°C to 55°C
4	-50°C to 55°C	4	-50°C to 55°C