



# SLA-F4780A

5MP 4.7mm Lens

## Key Features

- 4.72mm fixed focal
- HFoV: 70°
- Cube type
- 8m cable included
- Compatible with PNM-C20000QB

# SLA-F4780A

5MP 4.7mm Lens



## Specifications

### Video

Imaging Device	Size	1/2.8"
	Type	CMOS
Min. Illumination (Lux)	Color(1/30sec, 30IRE)	0.09
	BW(1/30sec, 30IRE)	0.09

### Lens

Focal Length (mm)		4.72
Max. Aperture Ratio (F number)	Wide	2.07
	Tele	2.07
Angular Field of View	Horizontal	70°
	Vertical	50°
	Diagonal	96°
Mount Type		RJ12 connected with main unit
Focus Control		Fixed

### Environmental & Electrical

Operating Condition	Temperature	-10°C ~ +55°C (+14°F ~ +131°F)
	Humidity	0~95% RH
Storage Condition	Temperature	-50°C~+60°C(-58°F~+140°F)
	Humidity	Less than 90% RH

### Mechanical

Color	Black
Material	Plastic
Product Dimensions	ø24x44.9mm(ø0.94x1.77"), Cable: 8m(26.2ft)
Product Weight	34.2g(0.08lb), Cable: 350g(0.77lb)

### Certification & Standards

EMC	FCC 47 CFR 15 Subpart B Class A, ICES-3(A)/NMB-3(A), CE/UKCA EN 55032 Class A, EN 50130-4, EN 61000-3-2, EN 61000-3-3, VCCI CISPR 32 Class A, RCM AS/NZS CISPR 32 Class A, KS C 9832 Class A, KS C 9835
Safety	UL 62368-1, CAN/CSA C22.2 NO. 62368-1

---

**Certification & Standards****Environment**

IEC 60068-2-1, IEC 60068-2-2, IEC 60068-2-6, IEC 60068-2-14, IEC 60068-2-27, IEC 60068-2-78

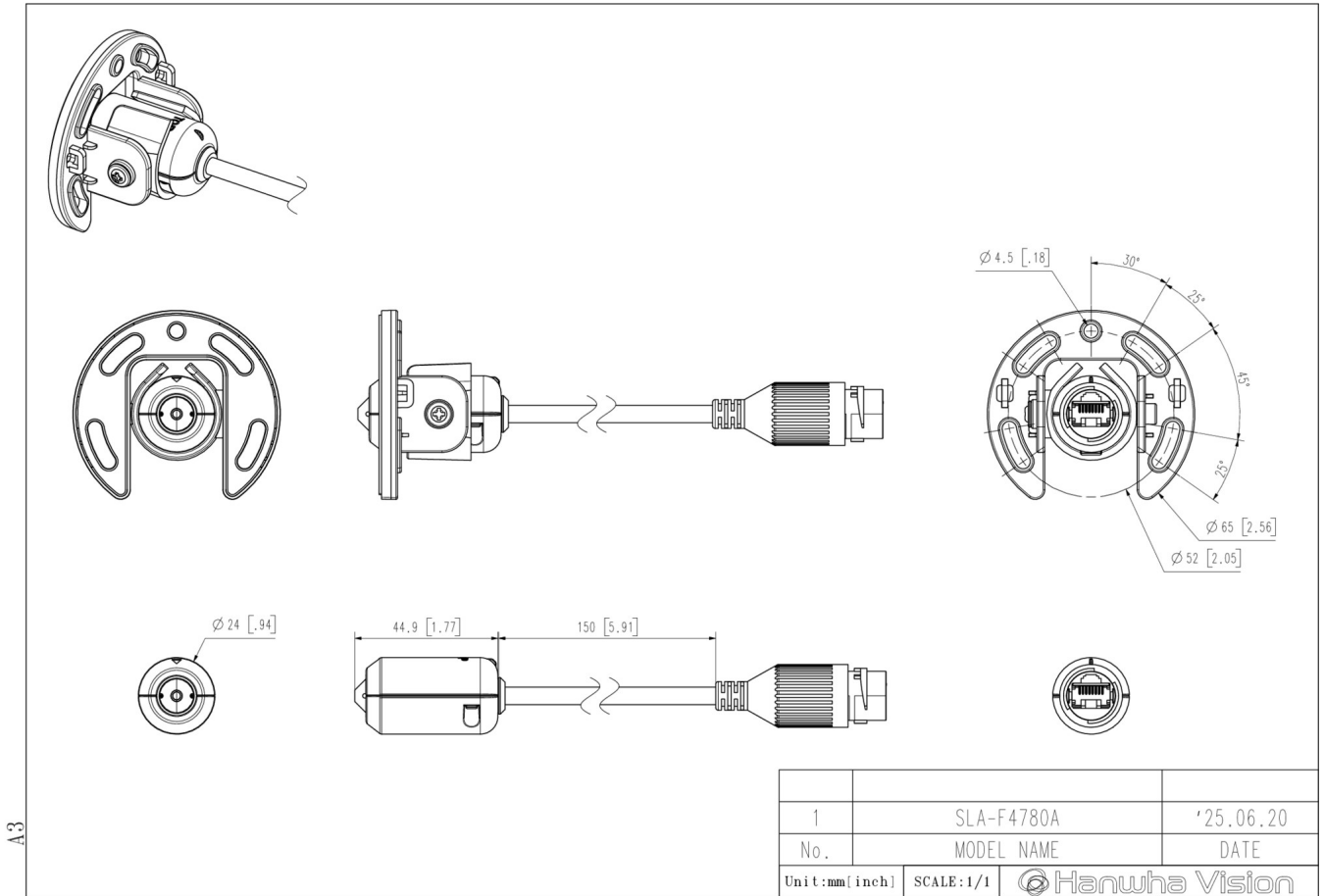
# SLA-F4780A

5MP 4.7mm Lens



CAD

Unit: mm [inch]



A3