

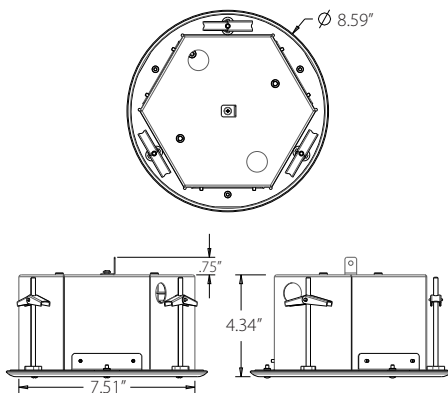
Flush Mounts

			
	SHD-B-3100FP1	SHD-400F	SHD-317F
Description	Plenum rated In-ceiling Flush Mount Accessory	In-ceiling flush mount	In-ceiling flush mount, 2x2 ceiling tile included
Operating Temperature	N/A	-22°F to 131°F (-30°C to 55°C)	N/A
Operating Humidity	N/A	Less than 90% RH	N/A
Materials	Body	Aluminum trim ring, galvanized steel backbox	Aluminum
	Bubble	N/A	N/A
Ingress Protection	N/A	N/A	Support plate: Steel with polyester powder coat Ceiling tile insert: ABS
Vandal Resistance	N/A	N/A	N/A
Dimensions (WxHxD)	External	8.6"x8.6"x4.6"	6.8"x6.8"x4.3" (173x173x109mm)
	Internal	6.5" Hex, various depth	N/A
Weight	2.25 lbs	1.0 lbs	7.3 lbs
Input Voltage	N/A	N/A	N/A
Power Consumption	N/A	N/A	N/A
Color	White trim ring, gray backbox	Ivory	White ceiling tile insert
Applicable Model	SCV-2080/3080/6081R SNV-3082/3120/5080/5080R/5084/6084/6084R/ 7082/7080R/7084/7084R SND-5084/5084R/6083/6084/6084R/7084/7084R	SNV-6013	PNM-9080VQ PNM-9081VQ

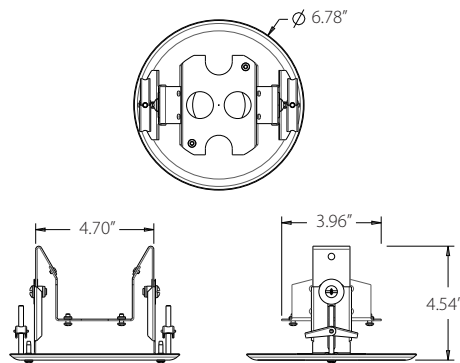
* Design and specifications are subject to change without notice

Dimensions

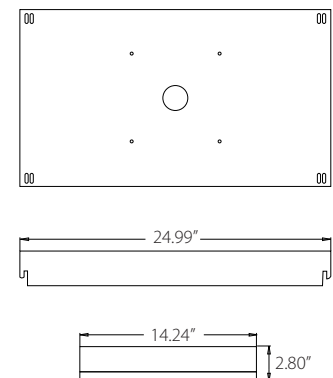
Unit : inch



SHD-B-3100FP



SHD-400F



SHD-317F