



SHD-1200FPW

In-ceiling Mount



Key Features

- Enclosure: Aluminum
- Color : White
- QR installation guide support

SHD-1200FPW

In-ceiling Mount



Specifications

Mechanical	
Color	White
Material	PC(Polycarbonate), Aluminum
RAL code	RAL9003
Product dimensions / weight	ø180x100.7mm(ø7.09x3.96") / 676.4g(1.49lb)
Tile thickness	10~70mm(0.4~2.8")
Mount Screw size	TR20
Max. load	1.5kg(6.61lb) ※ Maximum load of ceiling board: 3kg(3.31lb)
Conduit hole	12.7mm(1/2")(M20) / 19.1mm(3/4")(M25)
Supported products	QNV-C8011R, QNV-C8012, QNV-C9011R

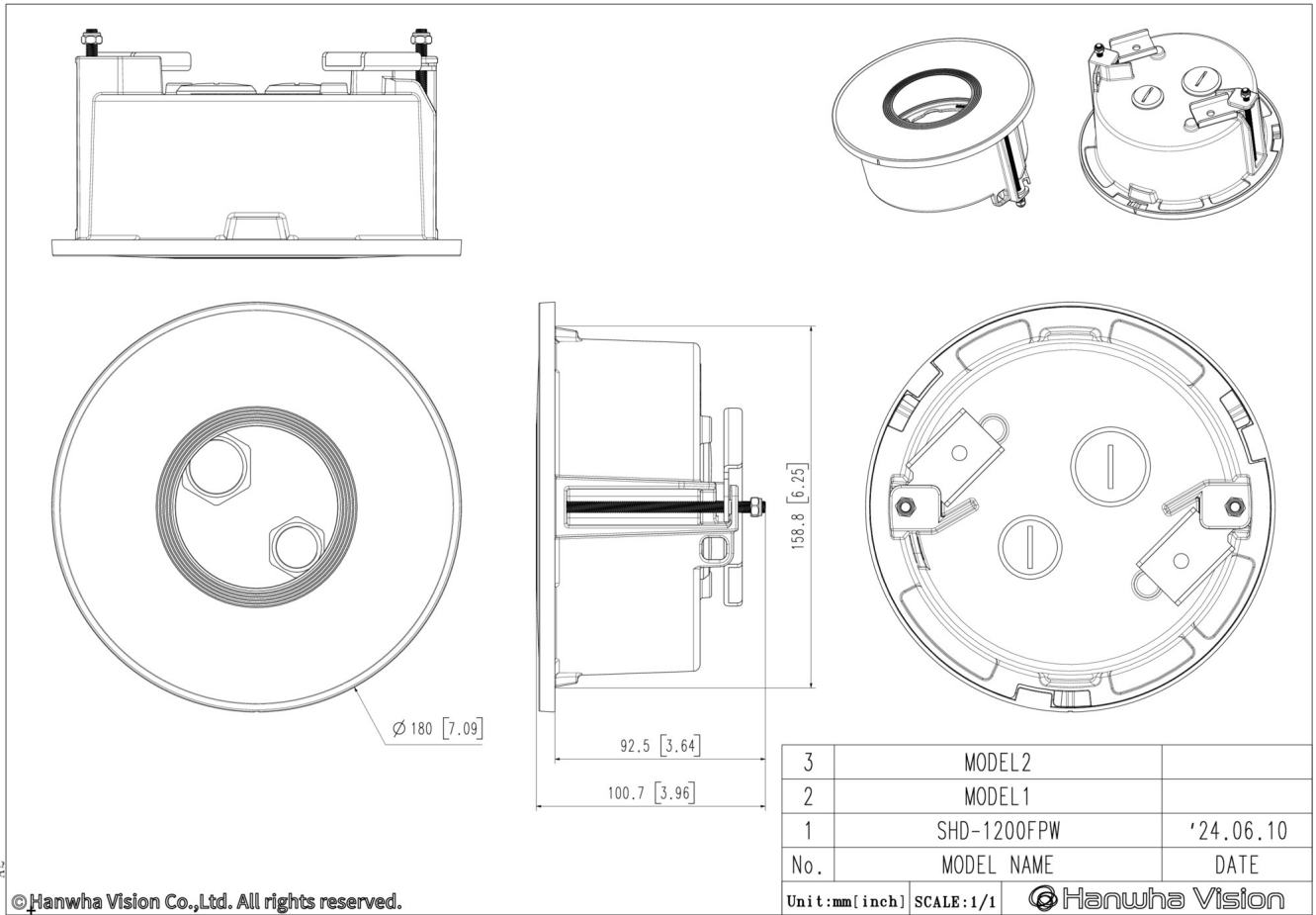
SHD-1200FPW

In-ceiling Mount



CAD

Unit: mm [inch]



© Hanwha Vision Co., Ltd. All rights reserved.