



# SBV-120WCW

## Weather Cap



### Key Features

- Weight : 184g
- Material : PC(Cap), Aluminum(Plate)
- Color : White
- Operation Temp. : -50°C~60°C
- Operation Hum. : 0~100%

# SBV-120WCW

Weather Cap



## Specifications

Mechanical	
Color	White
Material	Aluminum
RAL code	RAL9003
Product dimensions / weight	144.9x131.6x127.7mm / 195g
Supported products	QNV-6012R ※ For further compatible models, please visit our website or use Toolbox

# SBV-120WCW

Weather Cap

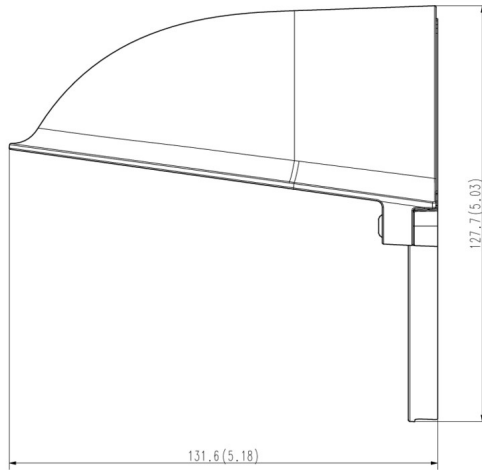
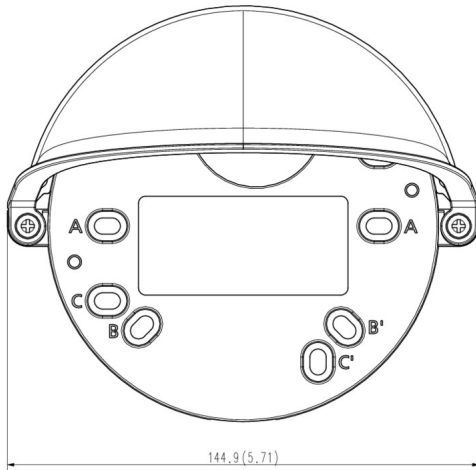


## CAD

Unit: mm [inch]

This parts should not contain any substances which are specified in AH60-0033K

NO	PART NAME	CODE NO.	MATERIAL	Q'TY	REMARK
1	ASSY_120WC	051412	MATERIAL	1	REMARK



mm (inch)

A3  
CHANGE

STANDARD TOLERANCE					
DIV	h1	h2	h3	h4	h5
0-16	+0.05	+0.1	+0.1	+0.2	+0.3
16-63	+0.05	+0.1	+0.2	+0.3	+0.4
63-250	+0.1	+0.2	+0.3	+0.4	+0.4
250-1000	+0.2	+0.3	+0.4	+0.5	+0.6

UNIT	mm	DESIGN	CHECK	APPROVAL
		Design	Check	Approval
SCALE	1/1	15.08.01	15.08.01	15.08.01

PART NAME	ASSY_120WC
MODEL NAME	MODEL NAME
CODE NO.	051412