

Gang Box Plates



SBP-B-100P

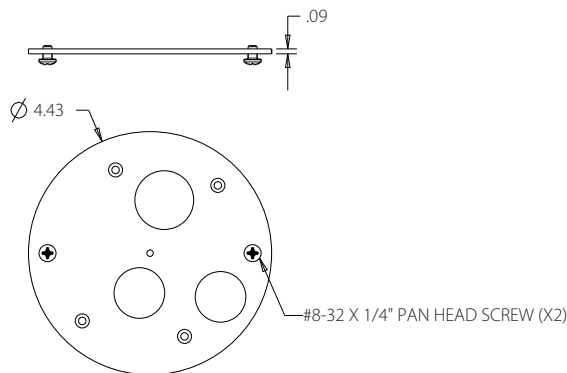
SBP-B-200P

Description	Gang box Plate	
Materials	Body	Aluminum
	Bubble	N/A
Ingress Protection	N/A	
Vandal Resistance	N/A	
Dimensions (WxHxD)	External	4.5" Ø x 0.090"
	Internal	N/A
Weight	0.1 lbs	
Input Voltage	N/A	
Power Consumption	N/A	
Color	Ivory	
Applicable Model	SNV-6013	QND-7080R SCV-6083R PND-9080R SND-5084/6084/7084/6011R SCD-2080/2080B/2080E/2080EB/2082/2080R/2042R/2022R/2020R/3080/3080B/ 3083/5080/5082/5083/5083R

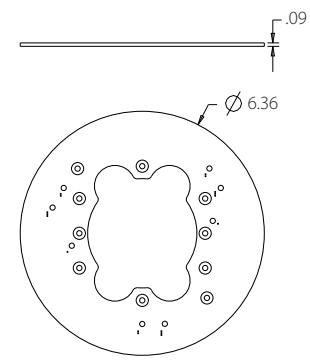
* Design and specifications are subject to change without notice

Dimensions

Unit : inch



SBP-B-100P



SBP-B-200P