

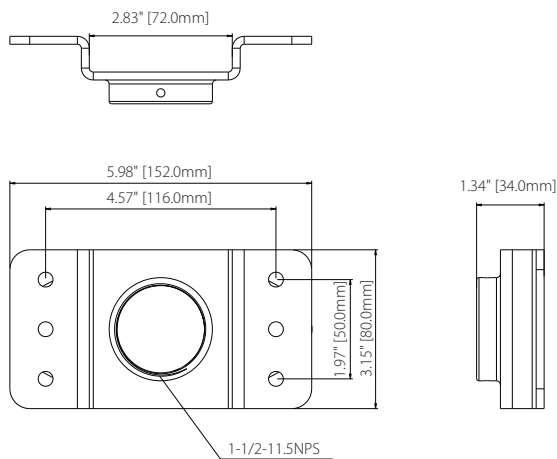
Pendant Mount Accessories

	SBP-302CMA SBP-302CAW Pendant mount single joist adapter	SBP-302CMB / SBP-302CMBW Back box for pendant mount	SBP-302CMS / SBP-302CMSW Swivel adapter for pendant mount
Materials	Steel	Aluminum and steel	Aluminum and steel
Dimensions (WxHxD)	5.98" x 3.15" x 1.34" (152.0 x 80.0 x 34.0mm)	5.9" x 5.9" x 3.15" (150 x 150 x 80mm)	4.57" x 4.57" x 5.05" (116 x 116 x 80mm)
Pipe Thread	1.5" NPT female (bottom)	1.5" NPT female (bottom)	1.5" NPT male (top)
Weight	0.9lb (0.4kg)	1.6lb (0.7kg)	4lb (1.8kg)
Max Load	80lb (36.2kg)	80lb (36.2kg)	30lb (13.6kg)
Pivot Angle	N/A	N/A	±45°
Color	Ivory White	Ivory / White	Ivory White
Applicable Mount	All Hanwha Hanging Mount (1.5" NPT)		
Optional Accessories	SBP-302CM(W) telescopic pendant mount SBP-302CMS(W) swivel mount adapter SBP-302CM(W)-12 extension pipe, 12" SBP-302CM(W)-36 extension pipe, 36"	SBP-302CM(W) telescopic pendant mount SBP-302CMS(W) swivel mount adapter SBP-302CM(W)-12 extension pipe, 12" SBP-302CM(W)-36 extension pipe, 36"	SBP-302CM(W) telescopic pendant mount SBP-302CA(W) single joist ceiling mount adapter SBP-302CMB(W) backbox for pendant and ceiling mount SBP-302CM(W)-12 extension pipe, 12" SBP-302CM(W)-36 extension pipe, 36"
Cable Routing	Cable hole	Side: 2x Cable conduit hole, Back: Cable hole	Cable hole

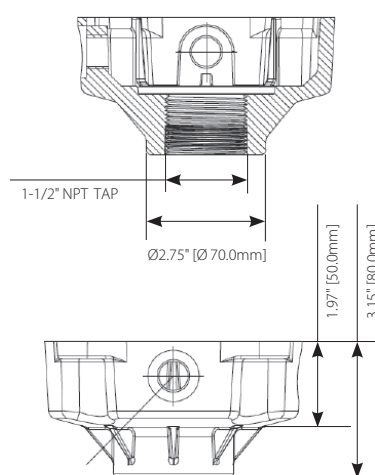
Dimensions

Unit: inch (mm)

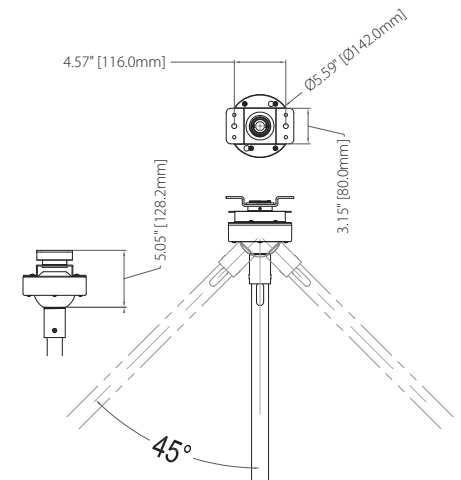
SBP-302CMA SBP-302CAW



SBP-302CMB / SBP-302CMBW



SBP-302CMS / SBP-302CMSW



* Design and specifications are subject to change without notice.