

WISENET

CAMERA BRACKET

SBP-300NM

Product Overview

- This product is a bracket for installing TNB-6030 on monitor.



Hanwha Techwin cares for the environment at all product manufacturing stages, and is taking measures to provide customers with more environmentally friendly products.

The Eco mark represents Hanwha Techwin's devotion to creating environmentally friendly products, and indicates that the product satisfies the EU RoHS Directive.

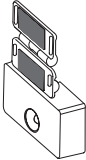

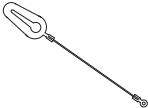
Installation Precautions

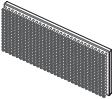

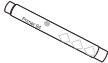

- Follow all cautions in the TNB-6030.
- Follow all cautions in the 3M™ Dual Lock™ SJ3551CF.
- When using 3M™ Primer 94, be sure to follow all cautions for the product.
- Refer to the following URL for precautions.
3M™ Dual Lock™ SJ3551CF :
https://www.3m.com/3M/en_US/company-us/SDS-search/results/?gsaAction=msdsSRA&msdsLocale=en_US&co=ptn&q=SJ3551CF,
3M™ Tape Primer 94 :
https://www.3m.com/3M/en_US/company-us/SDS-search/results/?gsaAction=msdsSRA&msdsLocale=en_US&co=all&q=3M+Primer+94
- The SAFETY WIRE must be hooked to the VESA MOUNT SCREW in order to prevent injury from falling.
- The Dual Lock™ should be attached to a flat surface.
- 3M™ Tape Primer 94 must be applied to the monitor's mounting surface before attaching the Dual Lock™.
- The camera must be installed after 24 hours of Dual Lock™ being attached to the monitor.
- Applying an external force to the attached product or applying a high temperature may cause the product to fall.
- This product may leave permanent marks on the monitor's mounting surface.
- Please take caution for the following items when removing the attached product.
 - Remove it carefully to avoid damage from applying force on the monitor (product).
 - Remove it carefully to avoid tearing the adhesive surface of Dual Lock™.

Table Of Contents

Product Overview	4
Installation	7

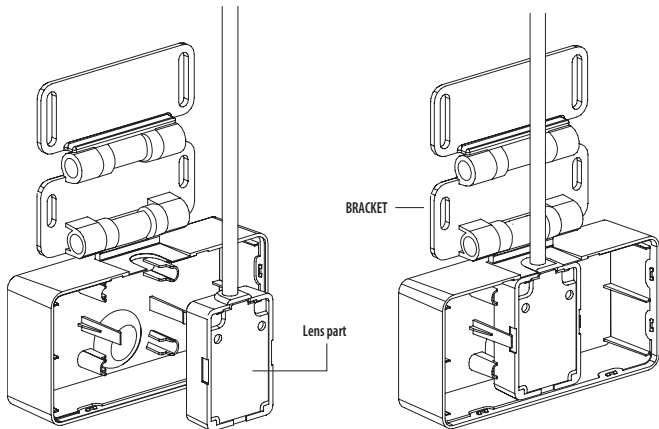
Package

Appearance	Item Name	Quantity
	BRACKET	1
	COVER	1
	SAFETY WIRE	2

Appearance	Item Name	Quantity
	3M™ Dual Lock™ SJ3551CF	4
	SCREW	2
	3M™ Tape Primer 94	1
	Quick Guide	1

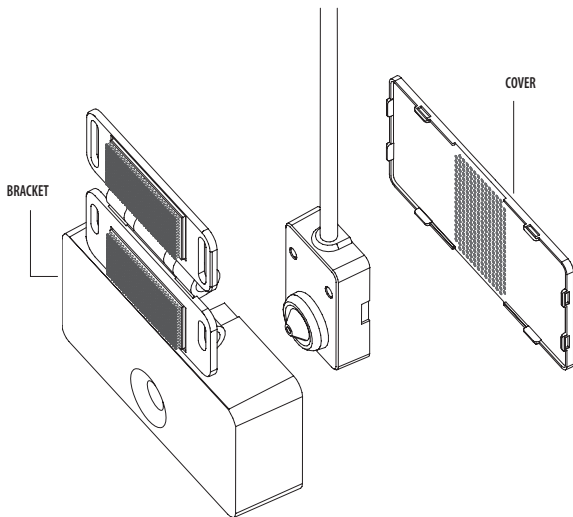
Installation

1. Assemble the lens part to the center hook part of the bracket.

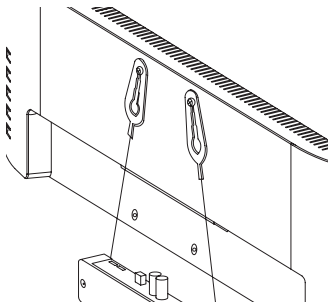
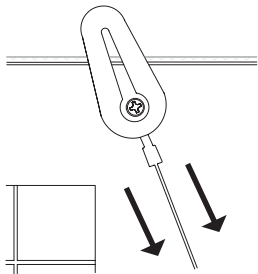


Installation

2. After assembling the lens part to the bracket, assemble connect the cover.

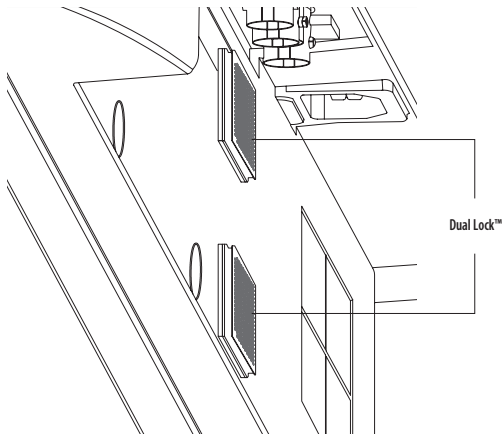


3. Loosen the screws by just 1 mm so that the screws are not removed from the Vesa Mount, connect the safety wires, and tighten the screws again.

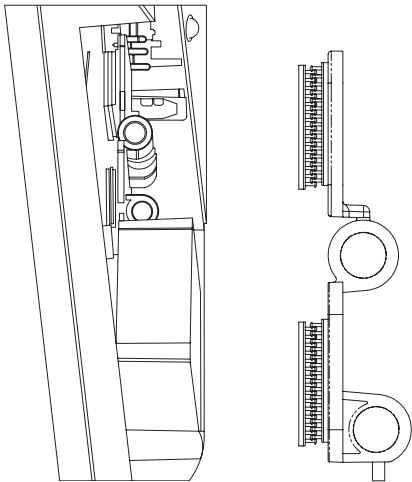


Installation

4. Apply Tape Primer 94 to the location where you want to install the camera and attach the Dual Lock™.
- To use Primer 94, crush at center of ampule.
 - Wear protective gloves to use the Primer 94.
 - Take the contents out of the package and apply the Primer 94 to the desired area.
 - Follow the instructions and precautions on the package.
(If you apply the Primer 94 repeatedly to the same place, it may cause foreign substances to come out due to friction, so apply it once or twice.)

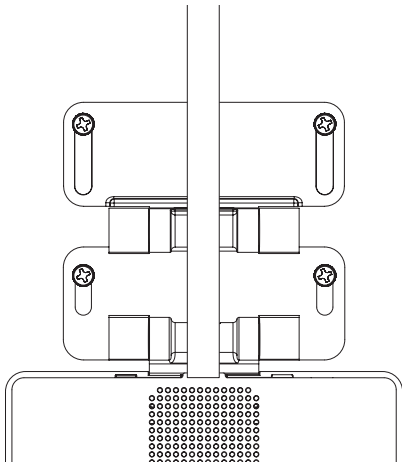


5. After attaching the Dual Lock™ to the monitor, leave it for a certain period of time (more than 24 hours) so that the adhesive is fully bonded to the surface, and then tightly connect it with the Dual Lock™ of the camera part.

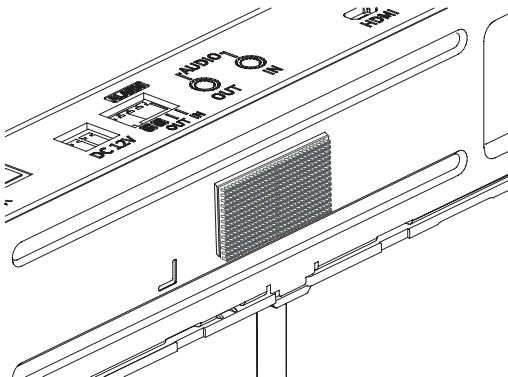


Installation

6. If there are screw holes in the object to be installed, you can install it using screws.

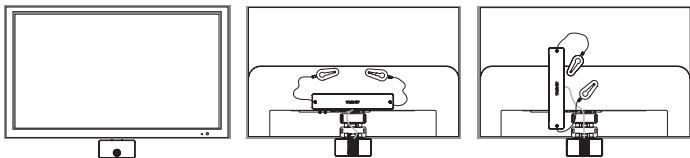


7. When installing on the TNB-6030 body using the Dual Lock™, attach two Dual Lock™ to the center of the body and to the location of the monitor where you want to install, in the same manner as when you attach the Dual Lock™ to the monitor.
- Leave it for a certain period of time (more than 24 hours) after attaching the Dual Lock™.



8. Combine the two attached Dual Locks together so that they are tightly connected.

※ Example installation



Head Office

6, Pangyo-ro 319 beon-gil, Bundang-gu, Seongnam-si,
Gyeonggi-do, 463-400 Rep. of KOREA
Tel : +82.70.7147.8753 Fax : +82.31.8018.3740
www.hanwha-security.com

Hanwha Techwin America

500 Frank W. Burr Blvd. Suite 43 Teaneck, NJ 07666
Toll Free : +1.877.213.1222 Direct : +1.201.325.6920
Fax : +1.201.373.0124
www.hanwhasecurity.com

Hanwha Techwin Europe

Heriot House, Heriot Road, Chertsey, Surrey, KT16 9DT, United Kingdom
Tel : +44.1372.235663 Fax : +44.1932.57.8101
www.hanwha-security.eu
