



SBP-215C

Mounting Hole Cover



Key Features

- Color : White
- Material : PC(Polycarbonate)
- Product dimensions / weight : 225.66(W)x145.66(D)x10(H)/ 65g (0.11lb)

※ Totally 5pcs included on package

SBP-215C

Mounting Hole Cover



Specifications

Mechanical	
Color	White
Material	PC(Polycarbonate)
RAL code	RAL9003
Product dimensions / weight	225.66(W)x145.66(D)x10(H) / 65g
Supported products	PNM-7082RVD, PNM-12082RVD, PNM-C7083RVD, PNM-C12083RVD, SBP-250WMW, SBP-400WMW ※ For further compatible models, please visit our website or use Toolbox

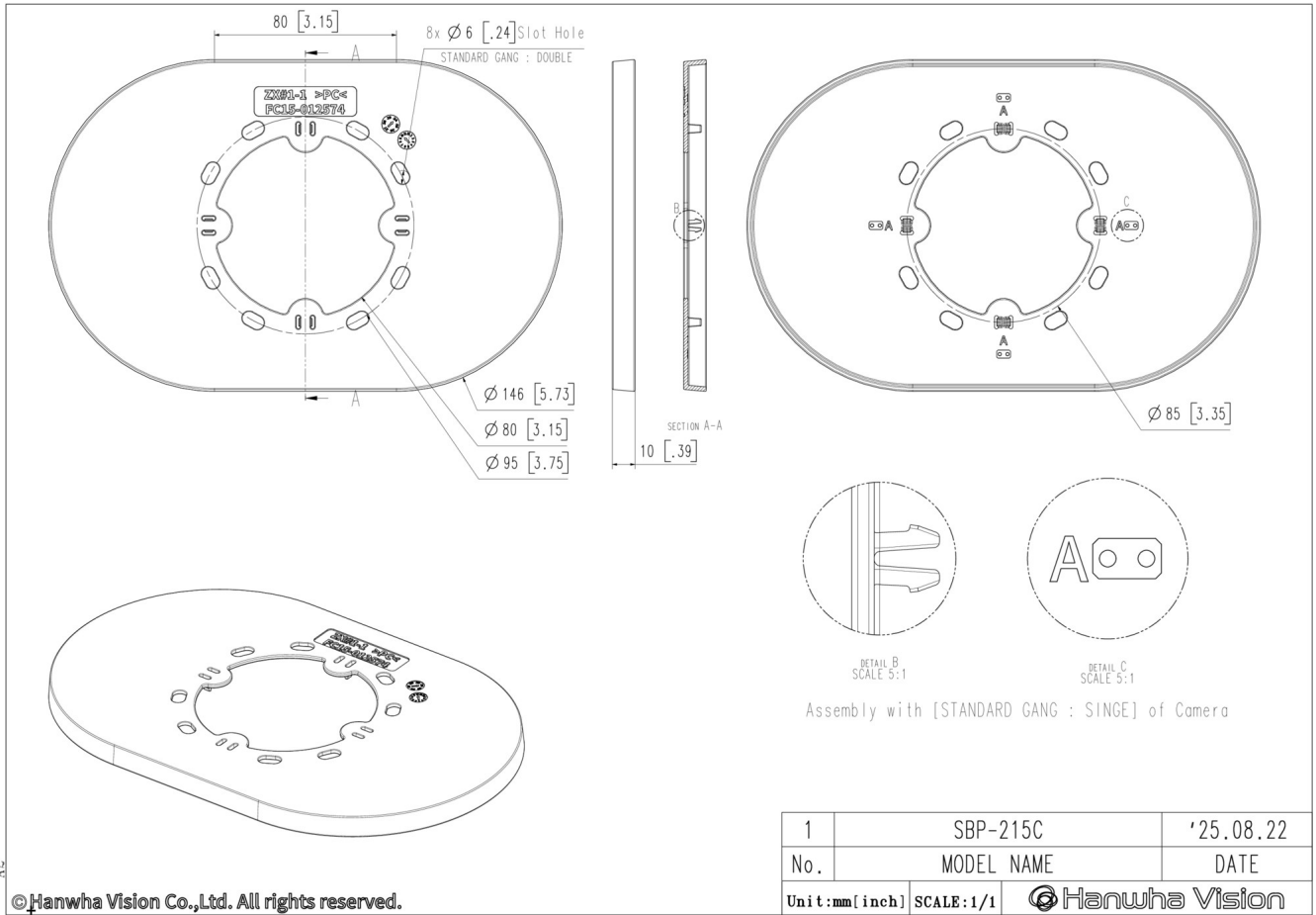
SBP-215C

Mounting Hole Cover



CAD

Unit: mm [inch]



© Hanwha Vision Co., Ltd. All rights reserved.