



SBP-180CMS

Ball Head Ceiling Mount Base



Key Features

- Color : White
- Material : (Plate) Aluminum
- Product dimensions / weight : $\phi 180 \times 86.5 \text{mm} (\phi 7.09 \times 3.41 \text{")}$, 970g(2.14lb)

SBP-180CMS

Ball Head Ceiling Mount Base



Specifications

Mechanical	
Color	White
Material	Aluminum
RAL code	RAL9003
Product dimensions / weight	ø180x86.5mm / 970g
Mount Screw size	TR30
Conduit hole	19.1mm(3/4")(M25)
Supported products	SBP-150CMP, SBP-300CMP, SBP-900CMP, SBP-C15P, SBP-C15H ※ For further compatible models, please visit our website or use Toolbox

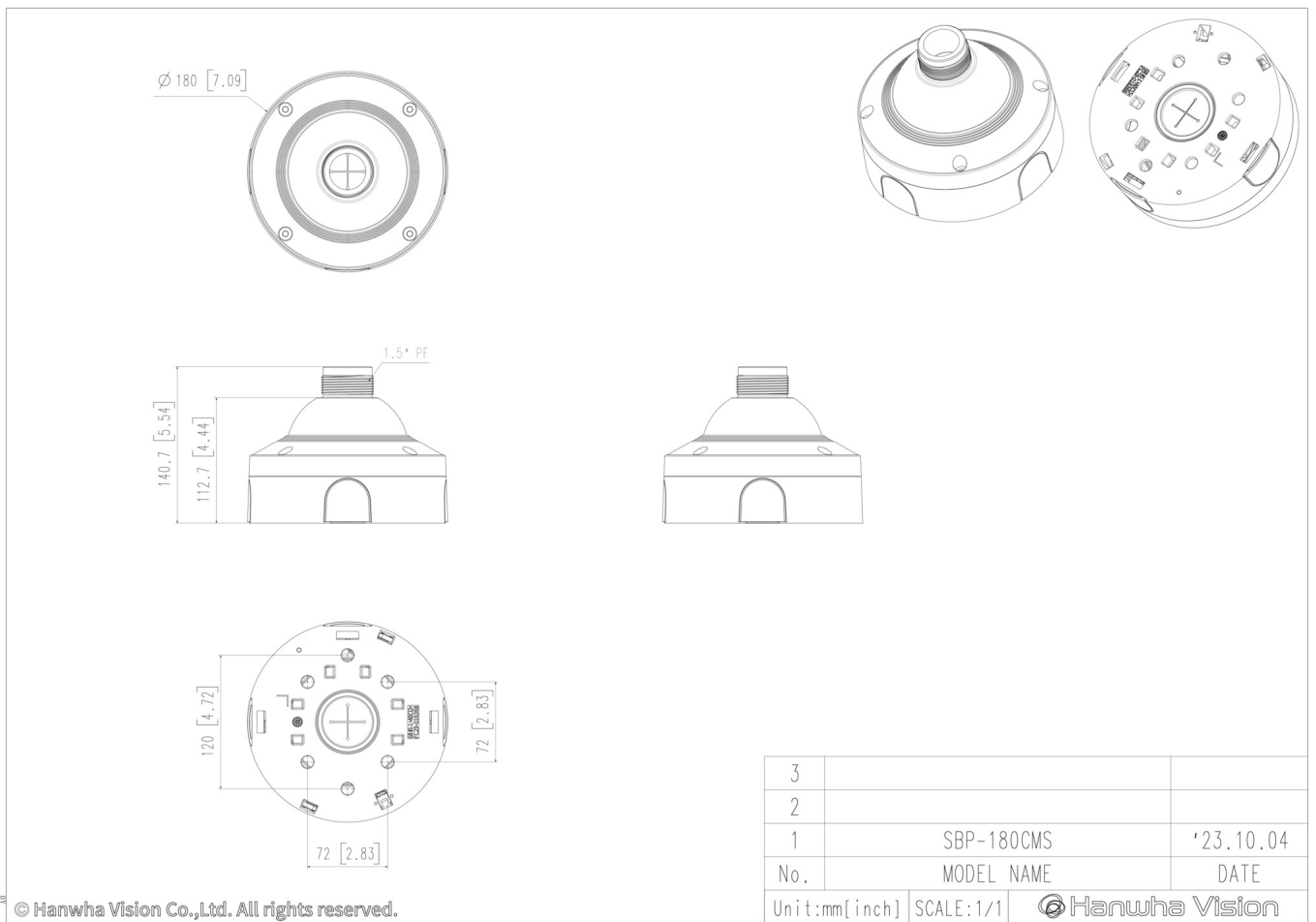
SBP-180CMS

Ball Head Ceiling Mount Base



CAD

Unit: mm [inch]



© Hanwha Vision Co.,Ltd. All rights reserved.