



SBP-160C

Mounting Hole Cover



Key Features

- Color : White
- Material : PC(Polycarbonate)
- Product dimensions / weight : 170.65(W)x170.65(D)x10(H)/ 54g (0.11lb)

※ Totally 5pcs included on package

SBP-160C

Mounting Hole Cover



Specifications

Mechanical	
Color	White
Material	PC(Polycarbonate)
RAL code	RAL9003
Product dimensions / weight	170.65(W)x170.65(D)x10(H)
Supported products	XNV-C6083R, XNV-A8084R, XNO-6083R, XNF-9010RV, PND-A6081RV, SBP-250WMW, SBP-400WMW ※ For further compatible models, please visit our website or use Toolbox

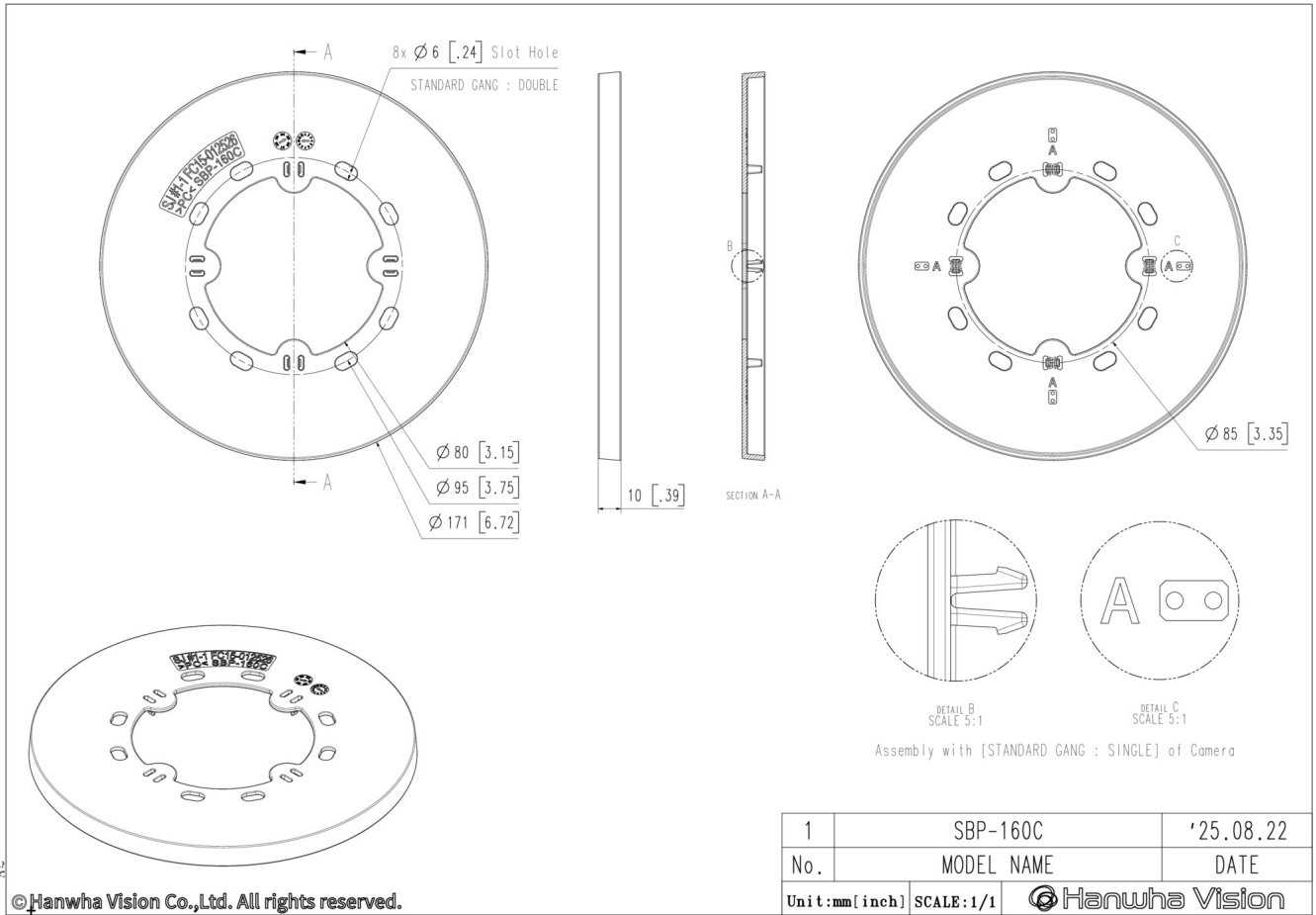
SBP-160C

Mounting Hole Cover



CAD

Unit: mm [inch]



© Hanwha Vision Co.,Ltd. All rights reserved.

1	SBP-160C	'25.08.22
No.	MODEL NAME	DATE
Unit: mm [inch]	SCALE: 1/1	Hanwha Vision