



# SBP-156HMW

Hanging Adaptor



## Key Features

- Material : Aluminum
- Color : White
- Dimensions :  $\Phi 95.5 \times 84.0$  mm (  $\Phi 3.76 \times 3.31$  ")

## Compatible Devices

---



XNP-9300RW



XNP-8300RW



XNP-6400RW

# SBP-156HMW

Hanging Adaptor



## Specifications

| Mechanical                  |   |
|-----------------------------|---|
| Color                       | White   |
| Material                    | Aluminum  |
| RAL code                    | RAL9003   |
| Product dimensions / weight | ø95.5x84mm / 200g   |
| Mount Screw size            | TR30  |
| Max. load                   | 5kg   |
| Supported products          | XNP-C9310R, XNP-C9303RW, XNP-C9253R, XNP-C9253 ※ For further compatible models, please visit our website or use Toolbox |

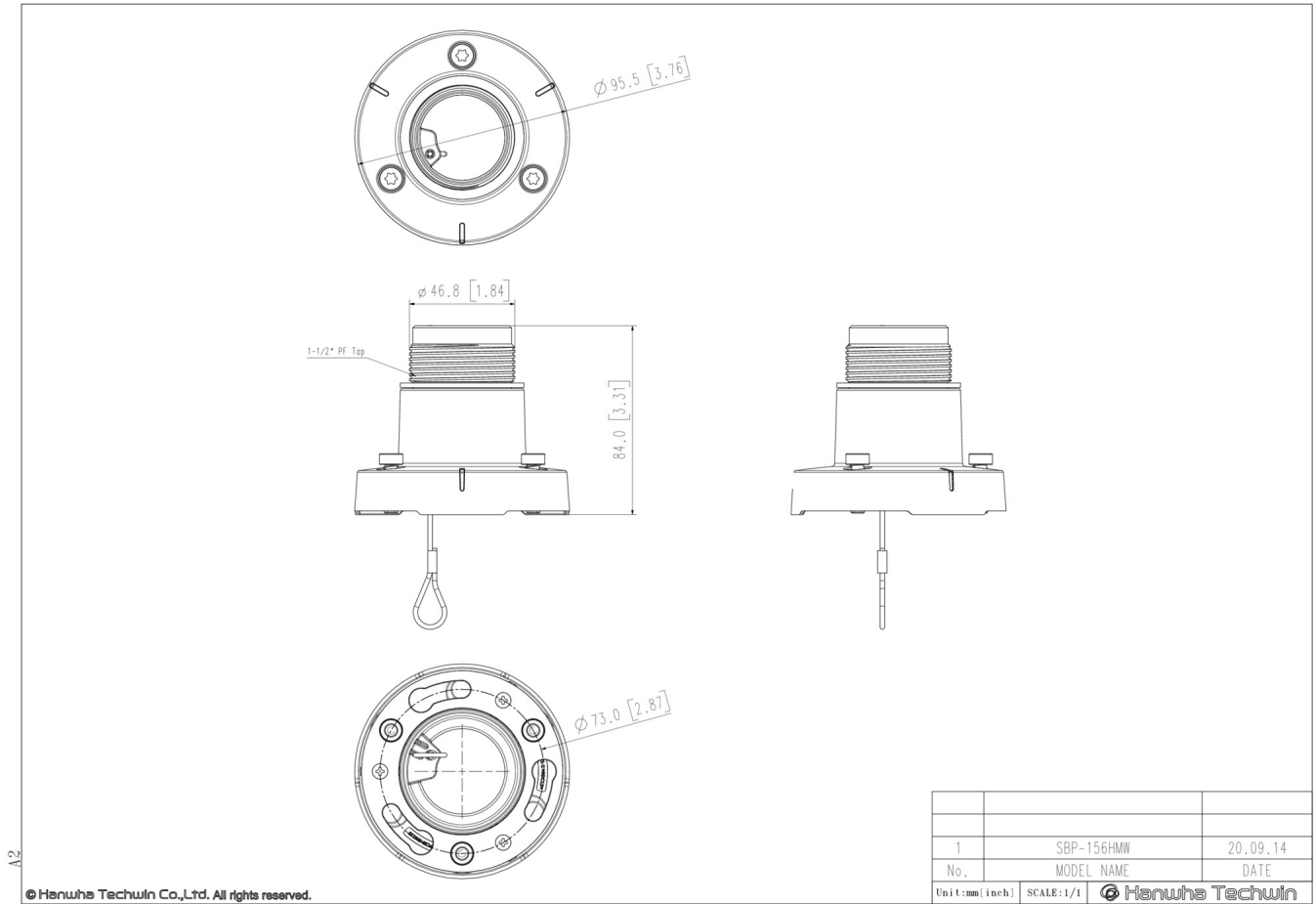
# SBP-156HMW

Hanging Adaptor



CAD

Unit: mm [inch]



A2

© Hanwha Techwin Co.,Ltd. All rights reserved.