



# SBP-142CMW

## Hanging Adaptor



### Key Features

- Color : White
- Material : Aluminum
- Product dimensions / weight : 74.3x58x19.8mm(2.93x2.29x0.78") / 380g (0.84lb)

# SBP-142CMW

Hanging Adaptor



## Specifications

| Mechanical                  |                                                                                       |
|-----------------------------|---------------------------------------------------------------------------------------|
| Color                       | White                                                                                 |
| Material                    | Aluminum                                                                              |
| RAL code                    | RAL9003                                                                               |
| Product dimensions / weight | 74.3x58x19.8mm / 380g                                                                 |
| Mount Screw size            | Hexagon(6mm)                                                                          |
| Max. load                   | 3.5kg                                                                                 |
| Supported products          | TNM-C3620TDR ※ For further compatible models, please visit our website or use Toolbox |

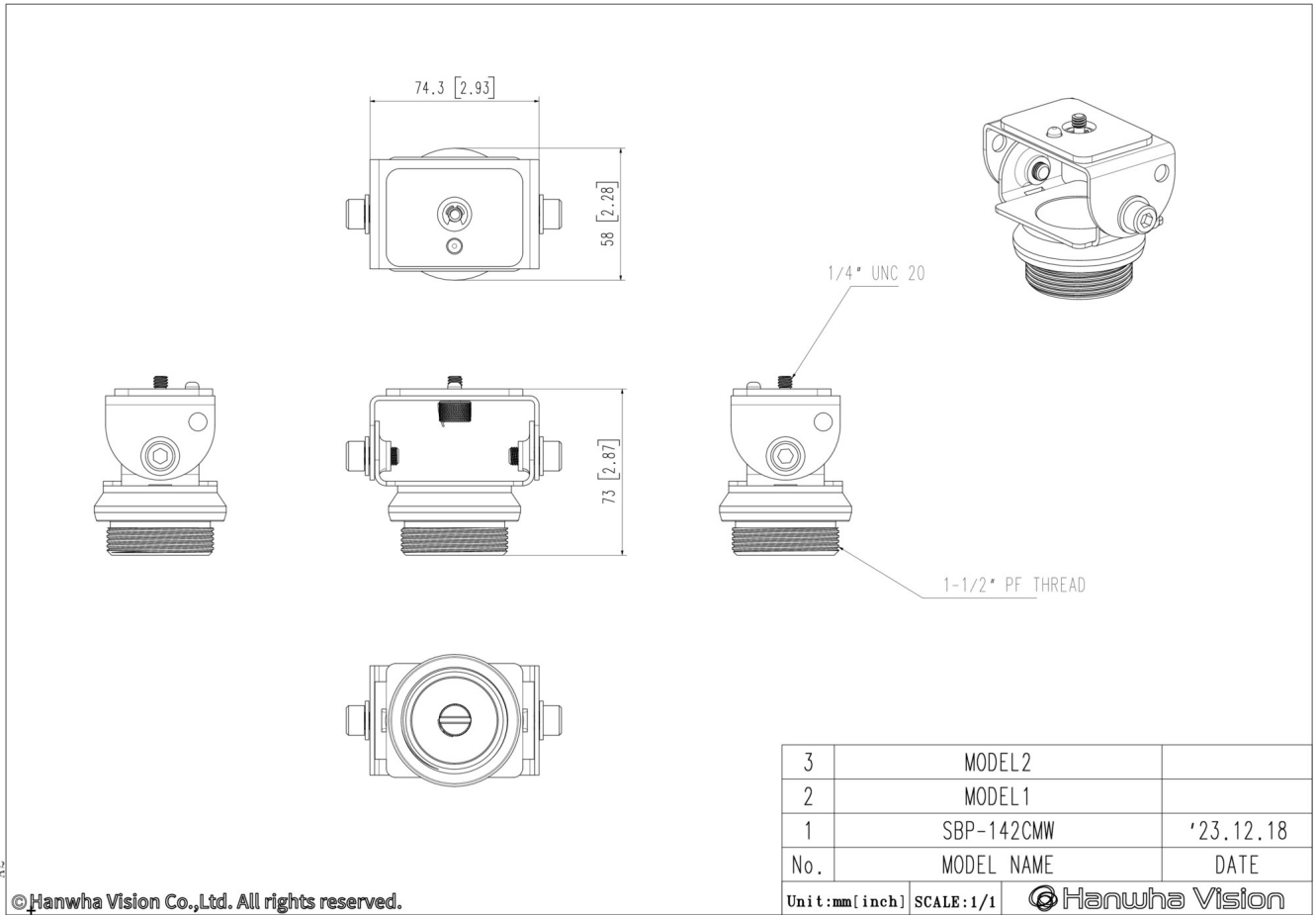
# SBP-142CMW

Hanging Adaptor



## CAD

Unit: mm [inch]



A2

© Hanwha Vision Co., Ltd. All rights reserved.