



SBP-140C

Mounting Hole Cover



Key Features

- Color : White
- Material : PC(Polycarbonate)
- Product dimensions / weight : 150.65(W)x150.65(D)x10(H) / 40g (0.08lb)

※ Totally 5pcs included on package

SBP-140C

Mounting Hole Cover



Specifications

Mechanical	
Color	White
Material	PC(Polycarbonate)
RAL code	RAL9003
Product dimensions / weight	150.65(W)x150.65(D)x10(H) / 40g
Supported products	QNV-C6083R, QNV-C8083R, QNV-C9083R, QNE-C8013RL, QNE-C9013RL, SBP-250WMW, SBP-400WMW

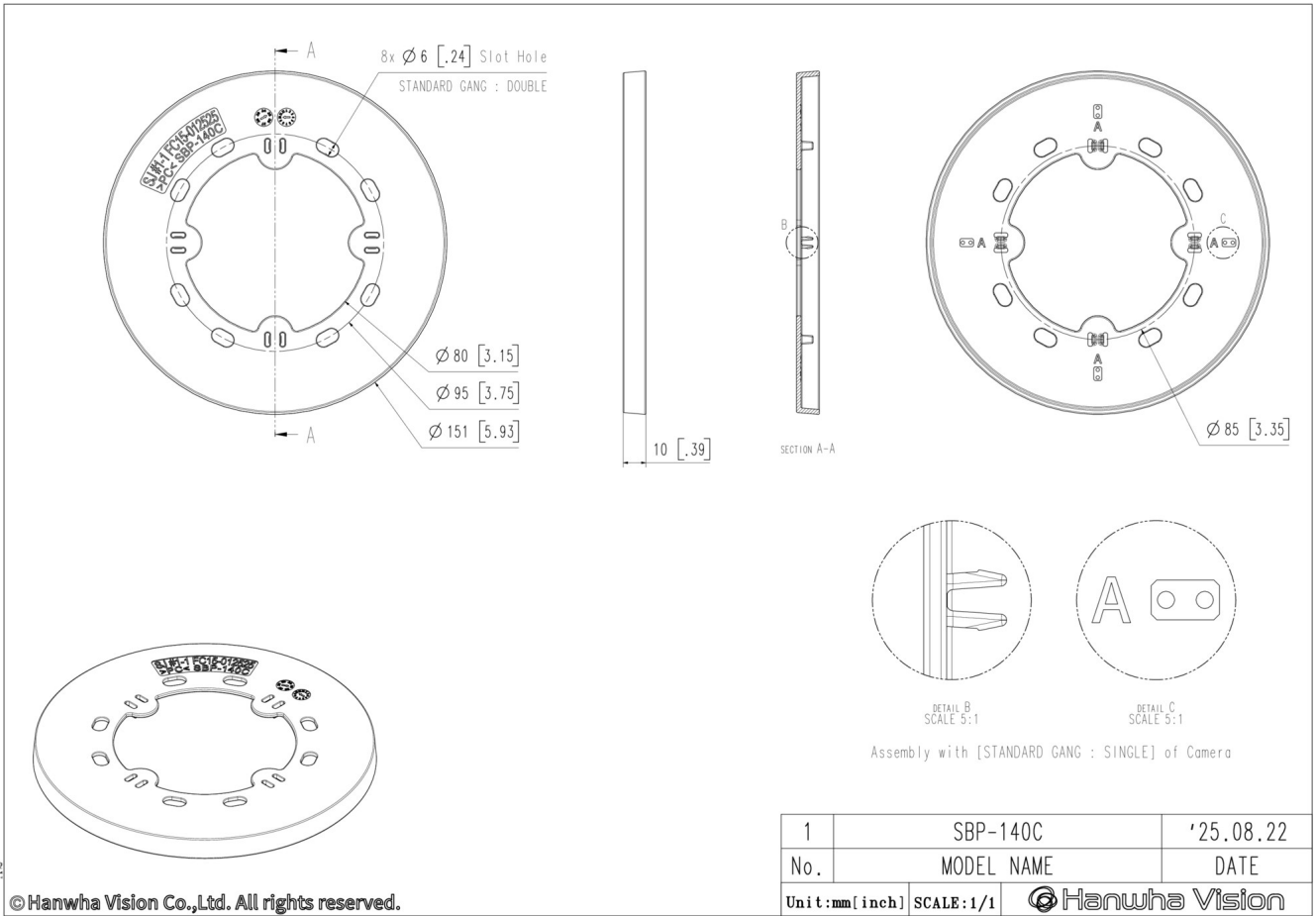
SBP-140C

Mounting Hole Cover



CAD

Unit: mm [inch]



© Hanwha Vision Co., Ltd. All rights reserved.