



SBP-125WMW1

Wall&Pole Mount



Key Features

- Weight : 505g (1.11lb)
- Material : Body- Aluminum, Cover- Polycarbonate (PC)
- Dimension: 174.4x128.5x118.3mm (6.87x5.06x4.66")
- Color: White

Compatible Devices



QND-6011



QND-6021



QND-8011



QND-8021



QND-6012R



QND-6022R



QND-6072R



QND-6082R



QNE-8011R



QNE-8021R



LND-6012R



LND-6022R



LND-6072R



QND-7012R



QND-7022R



QND-7082R

SBP-125WMW1

Wall&Pole Mount



Specifications

Mechanical	
Color	White
Material	PC(Polycarbonate), Aluminum
RAL code	RAL9003
Product dimensions / weight	174.4x128.5x118.3mm / 505g
Mount Screw size	TR20
Max. load	5kg
Conduit hole	19.1mm(3/4")(M25)
Supported products	QNV-C8011R, QNV-C8012, QNV-C9011R ※ For further compatible models, please visit our website or use Toolbox

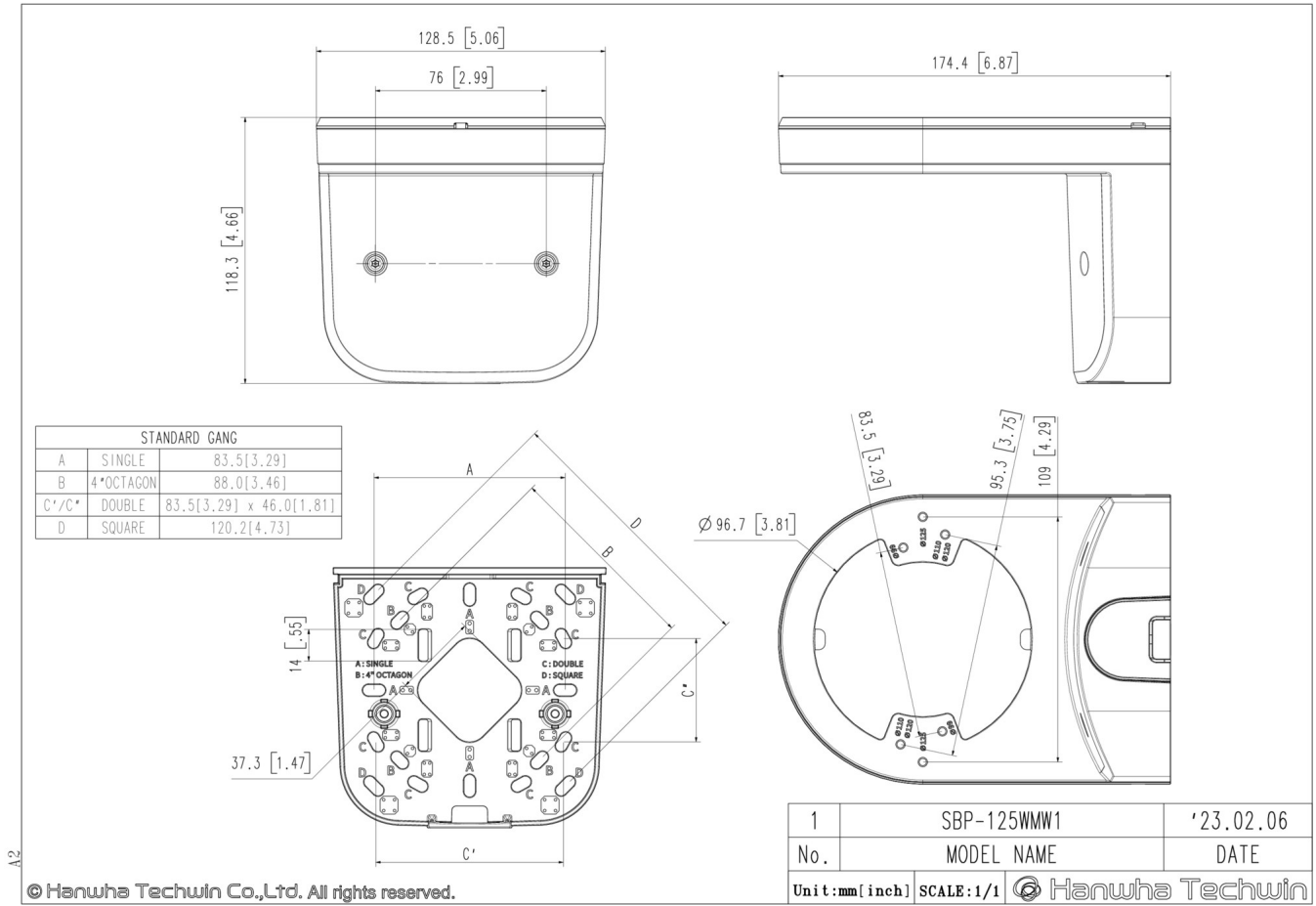
SBP-125WMW1

Wall&Pole Mount



CAD

Unit: mm [inch]



A2

© Hanwha Techwin Co., Ltd. All rights reserved.