



SBD-150GP

Box Adapter Plate



Key Features

- Color: White
- Material: Aluminum
- Dimensions/ Weight: $\phi 150 \times 10 \text{mm} (\phi 5.91 \times 0.39") / 120 \text{g} (0.26 \text{lb})$
- Mount Screw size: TR20

SBD-150GP

Box Adapter Plate



Specifications

Mechanical	
Color	White
Material	Aluminum
RAL code	RAL9003
Product dimensions / weight	ø150x10mm (5.91x0.39"), 120g (0.26lb)
Mount Screw size	TR20
Supported products	ANV-L7082R/L6082R, QNV-8080R/7082R/6072R/6072R1/6082R/6082R1, QNV-C9083R/C8083R/C6083R, XNP-6040HW ※ For further compatible models, please visit our website

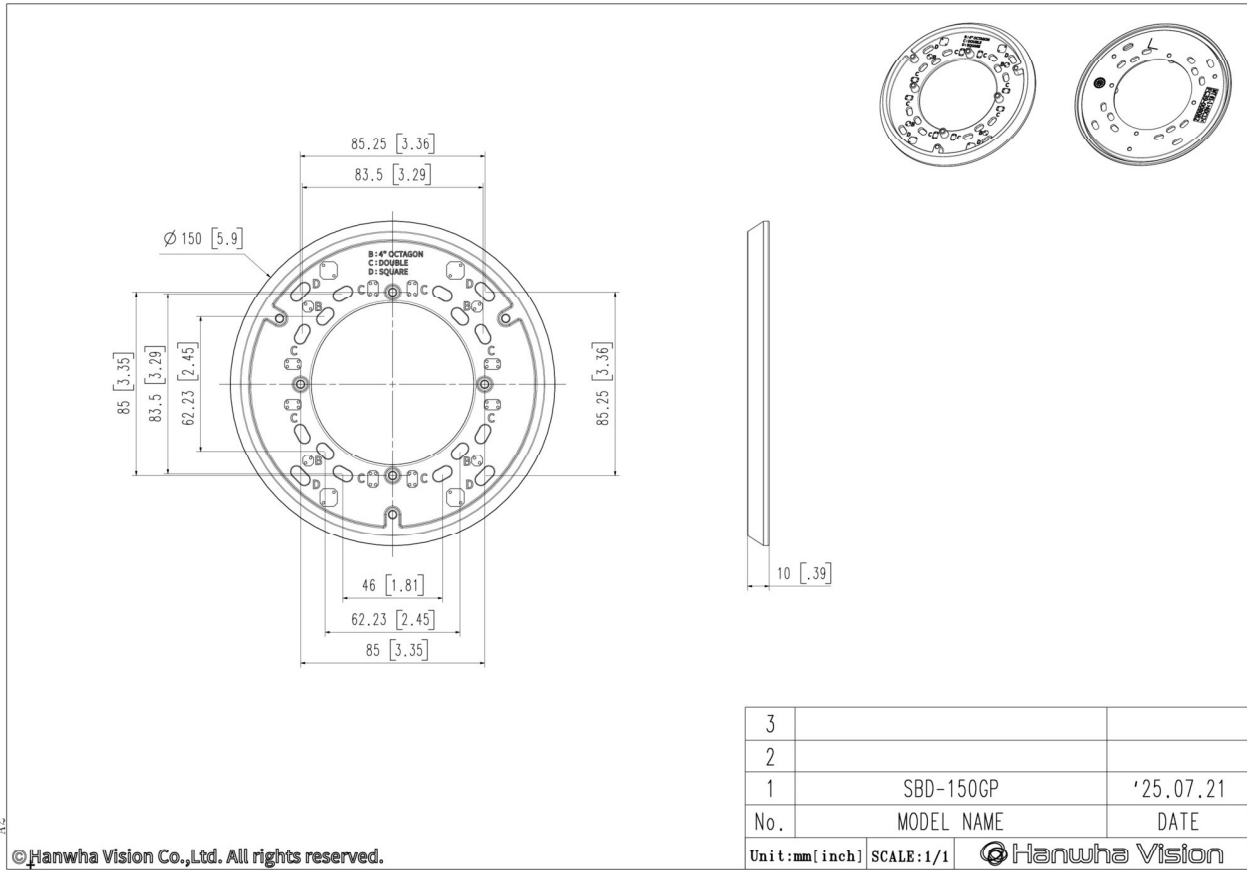
SBD-150GP

Box Adapter Plate



CAD

Unit: mm [inch]



A2

© Hanwha Vision Co., Ltd. All rights reserved.