

SBC-170C

Skin Cover



Key Features

- Dimensions : 172(W)x160(D)x54.9(H)mm (6.77"x6.30"x2.16")
- Weight : 50g(0.11lb)
- Material : Poly Carbonate
- Color : Silver

Compatible Devices



TNV-8011C



SBC-170CW



SBC-170CB

SBC-170C

Skin Cover



Specifications

Environmental

Operating Temperature / Humidity	-10°C~+55°C(+14°F~+131°F) / Less than 95% RH
Storage Temperature / Humidity	-50°C~+60°C(-58°F~+140°F) / Less than 95% RH

Mechanical

Color	Silver
Material	PC(Polycarbonate)
Product dimensions / weight	172(W)x160(D)x54.9(H)mm (6.77x6.30x2.16"), 50g(0.11lb)
Supported products	TNV-8011C ※ For further compatible models, please visit our website or use Toolbox

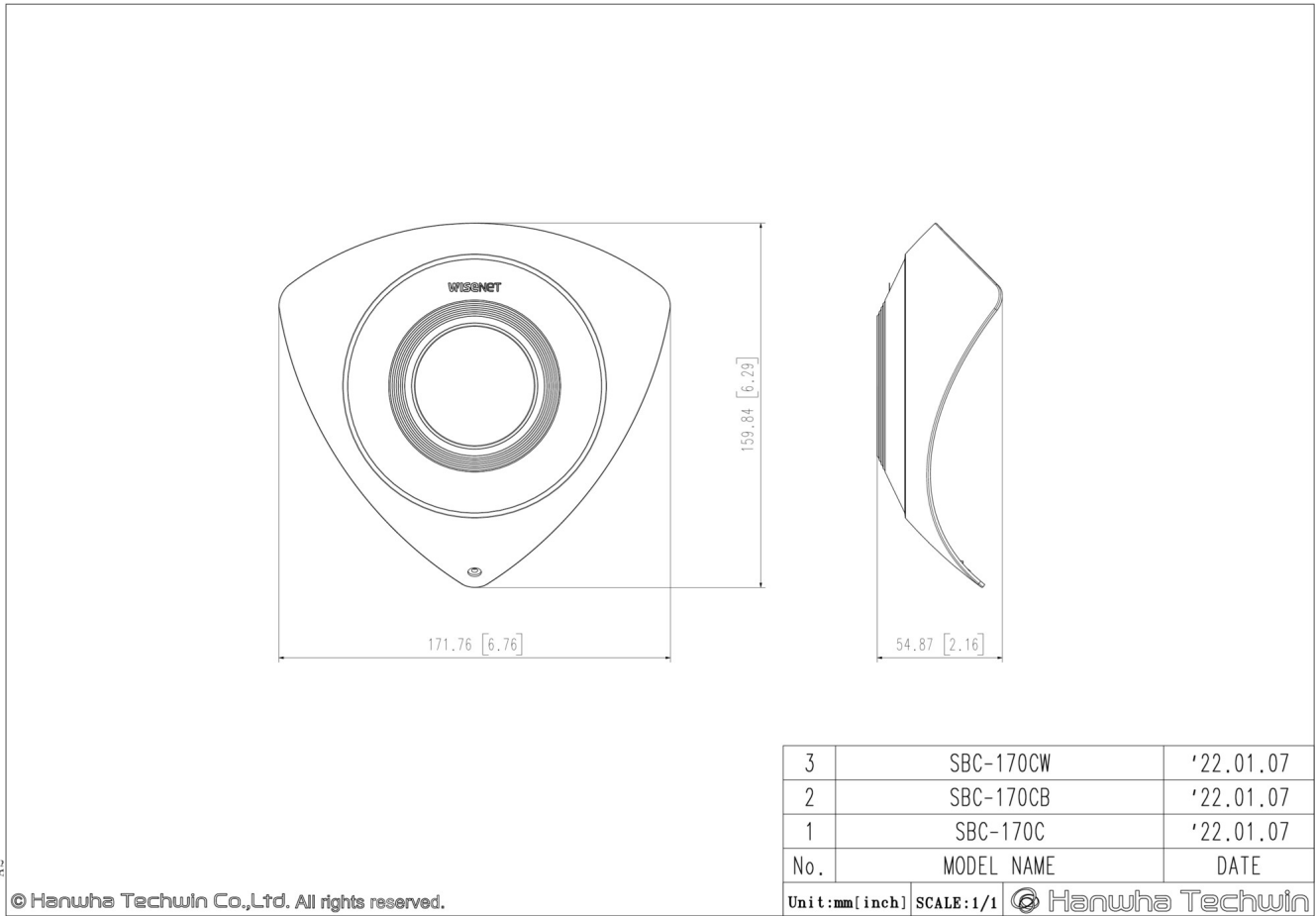
SBC-170C

Skin Cover



CAD

Unit: mm [inch]



A2

© Hanwha Techwin Co., Ltd. All rights reserved.