



17 Inch / Rear Mount Projected Capacitive PCAP Touch

R17ZH-OB-45P0

REAR MOUNT



GVision's line of rear mount projected capacitive displays are purpose built for system builders who require a rugged and durable touch screen solution that can easily be integrated into any embedded application.

Flexible mounting options makes it easy to mount the product into a custom enclosure. It is completely sealed to protect against the elements, which means it can be used either inside or out, and in high-traffic public facing applications.



DVI-D Digital Input



PCAP Touch



VGA Analog Input



LED Backlight Unit



170° / 160° Viewing Angle



IP65 Front Protection



3-Year Warranty

17-Inch / REAL MOUNT PCAP Touch Monitor

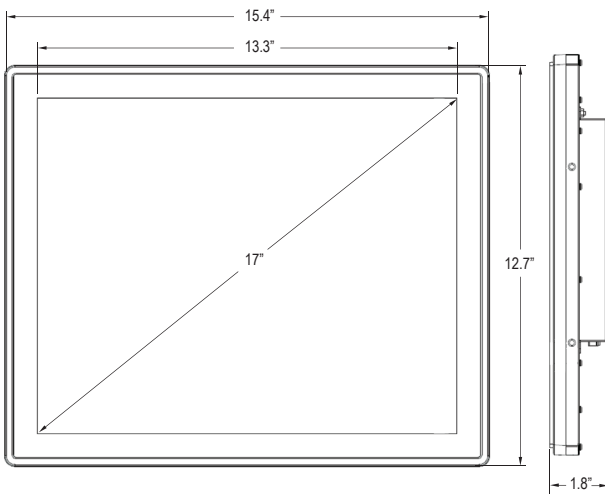


Multi Inputs

Gvision's KISOK Open Frame monitor supports both DVI digital and VGA analog inputs to use as normal office desktop monitors or commercial digital signage.

DIMENSIONS

Unit: Inch



FEATURES

- 17-Inch Screen Size
- 1280 x 1024 Resolution
- Video Signal: **VGA / DVI**
- **10-Points** Projected Capacitive **PCAP** Touch
- **IP65** on the Front (Optional)
- **Zero Pressure** Touch Activation
- **LED** Backlight Unit
- **Metal** Enclosure Material
- **3-Year** Warranty

SPECIFICATIONS

DISPLAY	R17ZH-OB-45P0
Screen Size	17 In
Resolution	1280 x 1024
Backlight	LED
Aspect Ratio	5 : 4
Viewing Angle	170° / 160°
Response Time	5ms
Brightness	250cd/m ²
Contrast Ratio	1000 : 1
Color Depth	16.7 M
Display Area (mm)	337.9 x 270.3mm
INTERFACE	
DVI	1
HDMI	0
VGA (15 Pin D-Sub)	1
Audio	1
TOUCH TECHNOLOGY	
Glass	2mm Tempered Glass
Type	10 Points Projective Capacitance Touch
Support OS	Windows / Linux
AUDIO	
Speakers	Option
CABINET	
Material	Metal
Black	Black
POWER	
Consumption	< 18W
Electrical Ratings	12V DC ± 5% (AC 100V ~ 240V, 50/60Hz)
TEMPERATURE	
Operating	32° F ~ 104° F (0° C ~ 40° C)
DIMENSIONS (WxHxD)	
Inch (in) w/o Stand	15.4 x 12.7 x 1.8
Millimeter (mm) w/o Stand	391.5 x 323.5 x 47
WEIGHT	
Net Weight (w/ Stand)	8 lbs (4 kg)
COMPLIANT	
Certification	CE / FCC
VESA™	
Mount Size (mm)	100 x 100

Specifications subject to change without any notice