

QNO-6012R/6022R/6032R

2 MP Network IR Bullet Camera

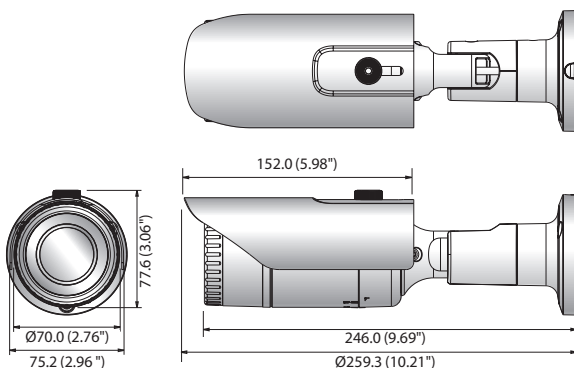


Key Features

- 2 Megapixel (1920 x 1080) resolution
- 0.1Lux (Color), 0Lux (B/W, IR LED on)
- 2.8mm/4mm/6mm fixed lens
- 30fps@2 MP (H.265/H.264)
- H.265, H.264, MJPEG codec supported, Multiple streaming
- Defocus detection, Directional/Virtual Line detection, Motion detection, Enter/Exit, Tampering
- Hallway view (90°/270°), LDC support, WiseStream II support
- Micro SD/SDHC/SDXC memory slot (Maximum 128GB)
- IR viewable length 20m/25m/30m
- IP66, IK10, PoE, 12VDC

Dimensions

Unit: mm (inch)



Accessories (Optional)



SBO-100B1



SBP-302PM

	QNO-6012R	QNO-6022R	QNO-6032R
VIDEO			
Imaging Device	1/2.8" 2 MP CMOS	1/2.8" 2 MP CMOS	1/2.8" 2 MP CMOS
Effective Pixels	1920(H) x 1080(V)	1920(H) x 1080(V)	1920(H) x 1080(V)
Minimum Illumination	Color : 0.1Lux (F2.0, 1/30sec) BW : 0Lux (IR LED on)	Color : 0.1Lux (F1.6, 1/30sec) BW : 0Lux (IR LED on)	Color : 0.1Lux (F2.0, 1/30sec) BW : 0Lux (IR LED on)
Video Out	CVBS : 1.0 Vp-p / 75Ω composite, 720 x 480 for installation		
LENS			
Focal Length (Zoom Ratio)	2.8mm fixed focal	4mm fixed focal	6mm fixed focal
Maximum Aperture Ratio	F2.0	F1.6	F2.0
Angular Field of View	H : 113.74 V : 61.5° D : 134.45°	H : 87.6 V : 46.4° D : 104.5°	H : 52.8 V : 30.3° D : 60.4°
Focus Control	Fixed	Fixed	Fixed
OPERATIONAL			
IR Viewable Length	20m (65.62ft)	25m (82.02ft)	30m (98.42ft)
Camera Title	Displayed up to 85 characters, 5 lines, English / Numeric / Special & International characters, 6 colors, Transparency, Auto scale by resolution		
Day & Night	Auto (ICR)		
Backlight Compensation	BLC, WDR, SDR		
Wide Dynamic Range	120dB		
Digital Noise Reduction	SSNR		
Motion Detection	4ea, polygonal zones		
Privacy Masking	6ea, rectangular zones		
Gain Control	Support		
White Balance	ATW / AWC / Manual / Indoor / Outdoor		
LDC	Support		
Electronic Shutter Speed	Minimum / Maximum / Anti flicker (1/5~1/12,000sec)		
Video Rotation	Flip, Mirror, Hallway view (90°/270°)		
Analytics	Defocus detection, Directional/Virtual Line detection, Motion detection, Enter/Exit, Tampering		
Alarm I/O	Input 1ea / Output 1ea		
Alarm Triggers	Analytics, Network disconnect, Alarm input		
Alarm events	File upload via FTP and e-mail, Notification via e-mail, SD/SDHC/SDXC or NAS recording at event triggers Alarm output, Handover		
Audio In	Selectable (mic in/line in) Supply voltage : 2.5VDC (4mA), Input impedance : 2K Ohm		
NETWORK			
Ethernet	RJ-45 (10/100BASE-T)		
Video Compression	H.265/H.264 : Main/High, MJPEG		
Resolution	1920 x 1080, 1280 x 960, 1280 x 720, 800 x 600, 800 x 448, 720 x 576, 720 x 480, 640 x 480, 640 x 360		
Maximum Framerate	H.265/H.264 : Maximum 30fps MJPEG : Maximum 15fps		
Smart Codec	Manual (5ea area), WiseStream II		
Video Quality Adjustment	H.264/H.265 : Target bitrate level control MJPEG : Quality Level control		
Bitrate Control	H.264/H.265 : CBR or VBR MJPEG : VBR		
Streaming	Unicast (6 users) / Multicast Multiple streaming (Up to 3 profiles)		
Audio Compression	G.711 u-law /G.726 Selectable G.726 (ADPCM) 8KHz, G.711 8KHz G.726 : 16Kbps, 24Kbps, 32Kbps, 40Kbps		

	QNO-6012R	QNO-6022R	QNO-6032R
Protocol	IPv4, IPv6, TCP/IP, UDP/IP, RTP(UDP), RTP(TCP), RTCP, RTSP, NTP, HTTP, HTTPS, SSL/TLS, DHCP, FTP, SMTP, ICMP, IGMP, SNMPv1/v2c/v3(MIB-2), ARP, DNS, DDNS, QoS, UPnP, Bonjour, LLDP		
Security	HTTPS (SSL) login authentication, Digest login authentication, IP address filtering, User access log, 802.1X authentication (EAP-TLS, EAP-LEAP)		
Edge Storage	Micro SD/SDHC/SDXC 1 slot maximum 128GB		
Application Programming Interface	ONVIF Profile S/G/T SUNAPI (HTTP API) Wisenet open platform		
Webpage Language	English, Korean, Chinese, French, Italian, Spanish, German, Japanese, Russian, Swedish, Portuguese, Czech, Polish, Turkish, Dutch, Hungarian, Greek		
Web Viewer	Supported OS : Windows 7, 8.1, 10, Mac OS X 10.12, 10.13, 10.14 Recommended Browser : Google Chrome Supported Browser : MS Explorer 11, MS Edge, Mozilla Firefox (Windows 64-bit only), Apple Safari (Mac OS X only)		
Memory	512MB RAM, 256MB Flash		
ENVIRONMENTAL			
Operating Temperature / Humidity	-30°C ~ +55°C (-22°F ~ +131°F) / Less than 90% RH * Start up should be done at above -20°C		
Storage Temperature / Humidity	-30°C ~ +60°C (-22°F ~ +140°F) / Less than 90% RH		
Certification	IP66, IK10		
ELECTRICAL			
Input Voltage	PoE (IEEE802.3af, Class3), 12VDC		
Power Consumption	PoE : Maximum 7W, typical 5.2W 12VDC : Maximum 6.1W, typical 4.5W		
MECHANICAL			
Color / Material	Dark grey / Aluminum		
Product dimensions / weight	Ø70.0 x 246.0mm (Ø2.76 x 9.69"), 700g (1.543 lb)		

* The latest product information / specification can be found at hanwhasecurity.com

* Design and specifications are subject to change without notice.

* Wisenet is the proprietary brand of **Hanwha Techwin**.