

QND-8011/8021

5 MP Network Dome Camera

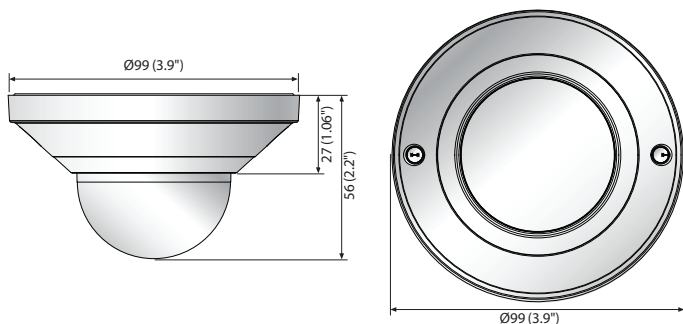


Key Features

- 5 Megapixel (2592 x 1944) resolution
- 2.8mm/4mm fixed lens
- 0.15Lux (Color), WDR (120dB)
- 30fps@5 MP (H.265 / H.264)
- H.265, H.264, MJPEG codec support, Multiple streaming
- Tampering detection, Motion detection, Defocus detection, People Counting
- Micro SD / SDHC / SDXC memory slot (Maximum 128GB)
- Hallway view, WiseStream II support
- LDC, PoE

Dimensions

Unit: mm (inch)



Accessories (Optional)



SBP-120MMW



SBV-116BW

	QND-8011	QND-8021
VIDEO		
Imaging Device	1/2.8" 5 MP CMOS	
Effective Pixels	2592(H) x 1944(V)	
Minimum Illumination	Color : 0.15Lux (F2.0, 1/30sec)	Color : 0.15Lux (F1.6, 1/30sec)
Video Out	Micro HDMI (Type D) : 1080p@30fps	
LENS		
Focal Length (Zoom Ratio)	2.8mm fixed focal	4mm fixed focal
Maximum Aperture Ratio	F2.0	F1.6
Angular Field of View	H : 104.4° / V : 76.7° / D : 136.1°	H : 80.1° / V : 58.0° / D : 105.8°
Focus Control	Fixed	
PAN / TILT / ROTATE		
Pan / Tilt / Rotate Range	0°~350° / 0°~69° / 0°~355°	
OPERATIONAL		
Camera Title	Displayed up to 85 characters, 5 lines, English / Numeric / Special & International characters, 6 colors, Transparency, Auto scale by resolution	
Day & Night	Auto (Electrical)	
Backlight Compensation	BLC, WDR, SDR	
Wide Dynamic Range	120dB	
Digital Noise Reduction	SSNR	
Motion Detection	4ea, polygonal zones	
Privacy Masking	6ea, rectangular zones	
Gain Control	Support	
White Balance	ATW / AWC / Manual / Indoor / Outdoor	
LDC	Support	
Electronic Shutter Speed	Minimum / Maximum / Anti flicker (1/5~1/12,000sec)	
Video Rotation	Flip, Mirror, Hallway view (90°/270°)	
Analytics	Defocus detection, Motion detection, Tampering	
Business Intelligence	People counting	
Alarm Triggers	Analytics, Network disconnect	
Alarm events	File upload via FTP and e-mail, Notification via e-mail, SD/SDHC/SDXC or NAS recording at event triggers, Handover	
NETWORK		
Ethernet	RJ-45 (10/100BASE-T)	
Video Compression	H.265/H.264 : Main/High, MJPEG	
Resolution	2592 x 1944, 1920 x 1080, 1280 x 960, 1280 x 720, 800 x 600, 800 x 448, 720 x 576, 720 x 480, 640 x 480, 640 x 360	
Maximum Framerate	H.265/H.264 : Maximum 30fps MJPEG : Maximum 15fps	
Smart Codec	Manual (5ea area), WiseStream II	
Video Quality Adjustment	H.264/H.265 : Target bitrate level control MJPEG : Quality Level control	
Bitrate Control	H.264/H.265 : CBR or VBR MJPEG : VBR	
Streaming	Unicast (6 users) / Multicast Multiple streaming (Up to 3 profiles)	
Protocol	IPv4, IPv6, TCP/IP, UDP/IP, RTP(UDP), RTP(TCP), RTCP, RTSP, NTP, HTTP, HTTPS, SSL/TLS, DHCP, FTP, SMTP, ICMP, IGMP, SNMPv1/v2c/v3(MIB-2), ARP, DNS, DDNS, QoS, UPnP, Bonjour, LLDP	
Security	HTTPS (SSL) login authentication, Digest login authentication, IP address filtering, User access log, 802.1X authentication (EAP-TLS, EAP-LEAP)	
Edge Storage	Micro SD/SDHC/SDXC 1 slot maximum 128GB	
Application Programming Interface	ONVIF Profile S/G/T SUNAPI (HTTP API) Wisenet open platform	

	QND-8011	QND-8021
Webpage Language	English, Korean, Chinese, French, Italian, Spanish, German, Japanese, Russian, Swedish, Portuguese, Czech, Polish, Turkish, Dutch, Hungarian, Greek	
Web Viewer	Supported OS : Windows 7, 8.1, 10, Mac OS X 10.12, 10.13, 10.14 Recommended Browser : Google Chrome Supported Browser : MS Explorer 11, MS Edge, Mozilla Firefox (Windows 64-bit only), Apple Safari (Mac OS X only)	
Memory	512MB RAM, 256MB Flash	
ENVIRONMENTAL		
Operating Temperature / Humidity	-10°C ~ +40°C (+14°F ~ +104°F) / Less than 90% RH	
Storage Temperature / Humidity	-30°C ~ +60°C (-22°F ~ +140°F) / Less than 90% RH	
Certification	IP42, IK08	
ELECTRICAL		
Input Voltage	PoE (IEEE802.3af, Class2)	
Power Consumption	PoE : Maximum 5W, typical 4W	
MECHANICAL		
Color / Material	White / Plastic	
RAL Code	RAL9003	
Gangbox Compatibility	Direct mount to single gang	
Product dimensions / weight	Ø99 x 56mm (Ø3.9 x 2.2"), 165g (0.364 lb)	

* The latest product information / specification can be found at hanwhasecurity.com

* Design and specifications are subject to change without notice.

* Wisenet is the proprietary brand of **Hanwha Techwin**.