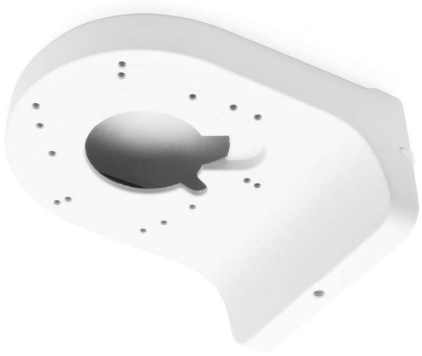


MNT-IPMINIDOME-WALL-V2

Waterproof Wall mount bracket

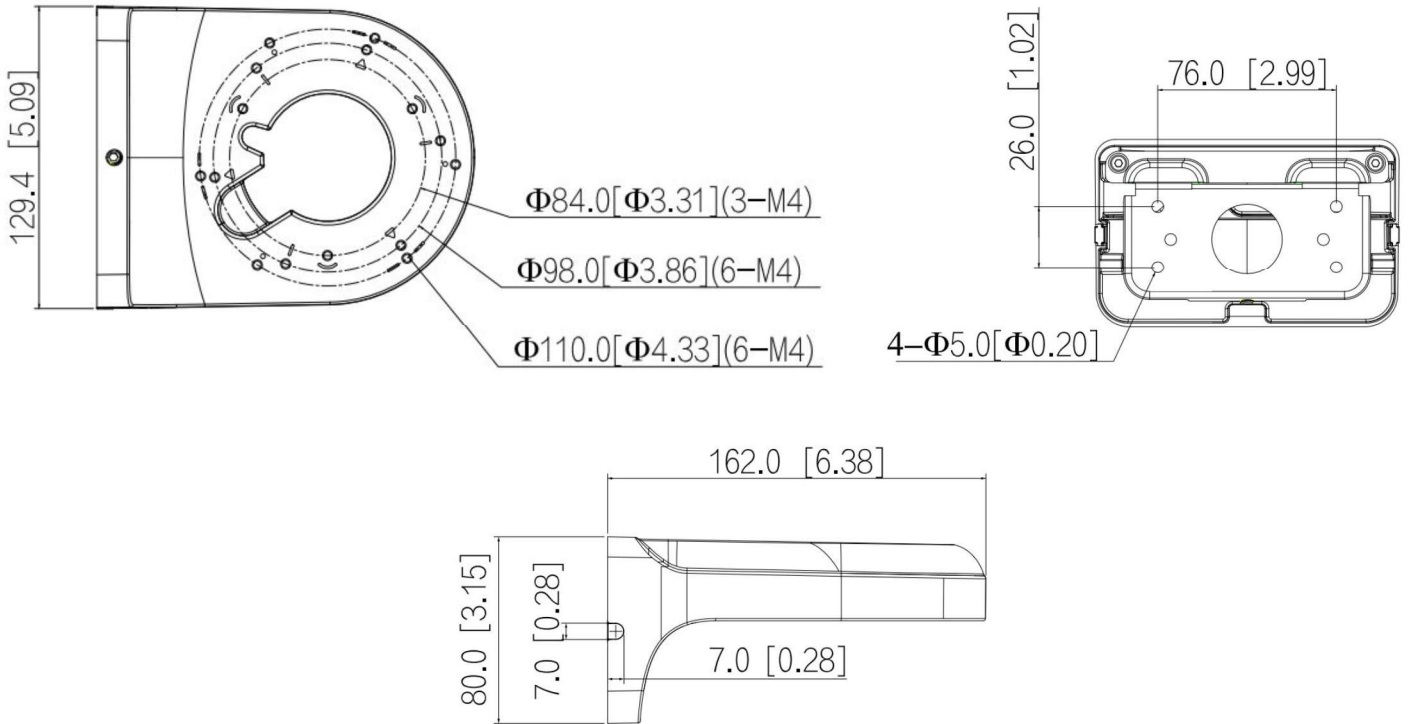


- Aesthetic design
- Material: Aluminum & SECC
- Waterproof wall mount bracket

Technical Specification

| | |
|----------------------------|---|
| Model | MNT-IPMINIDOME-WALL-V2 |
| Physical Properties | |
| Material | Aluminum & SECC |
| Installation | Wall mount |
| Dimension(W xH xD) | 6.38" × 5.09" × 3.15" (162.0 mm × 129.4 mm × 80.0 mm) |
| Net Weight | 1.06 lb (0.48 kg) |
| Gross Weight | 1.23 lb (.56 kg) |
| Load Bearing | 2.20 lb(1 kg) |
| Color | White |
| Operating Temperature | -40°F~-140°F (-40°C~-60°C) |
| Humidity | <90% RH |

Dimensions (mm/in)



Application

