

PFA138

Water-proof Junction Box



Features

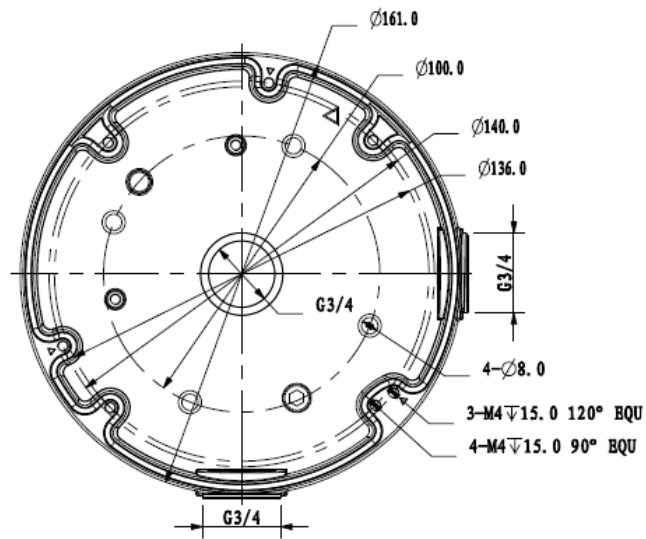
- Material: Aluminum
- Junction Box
- Neat & Integrated design

Specifications

Model	PFA138
General	
Material	Aluminum
Dimension	φ161x38mm
Inch Thread	G3/4"
Operating Temperature	-40°C ~60°C
Humidity	0~90% RH
Load Bearing	3.0Kg
Weight	0.45Kg
Color	White
Applicable Model	Please see "Accessory Selection"

PFA138

Dimensions (mm)



Application

