

Angled Junction Box

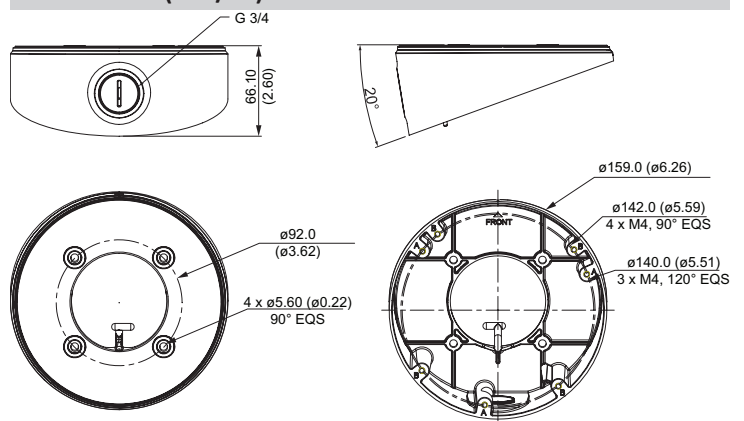


- Aluminum Alloy Construction
- 20° Offset Angle
- Side and Bottom Cable Entry
- 3.0 kg (6.61 lb) Load Bearing Capacity

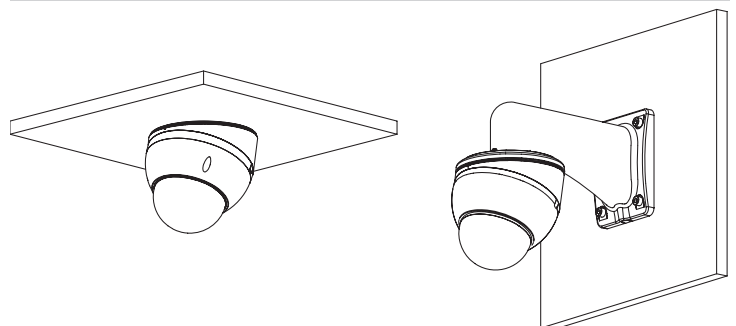
Technical Specifications

| | |
|------------------------|--------------------------------------------------------------------------------------------------------------------------------------------------------|
| Material | Aluminum Alloy |
| Dimensions (W x H x D) | ∅159.0 mm × 66.10 mm (∅6.26 in. x 2.60 in.) |
| Pipe Thread | G3/4 in. |
| Weight | 0.36 kg (0.81 lb) |
| Load Bearing Capacity | 3.0 kg (6.61 lb) |
| Angle | 20° |
| Color | White |
| Operating Temperature | -40 °C to 60 °C (-40 °F to 140 °F) |
| Humidity | 0% to 90% RH |
| Compatibility | PFA101 Mount Adapter PFB302S Wall Mount Bracket with Junction Box PFB303W Waterproof Wall Mount Bracket (both wall mounts require the PFA101) |

Dimensions (mm/in.)



Application



Ordering Information

| Type | Part Number | Description |
|-------------------|-------------|-------------------------------------------------------------------------------------|
| Junction Box | DH-PFA133-E | Angled Junction Box |
| Hardware Included | | 4 x M4 x 25 Screws 4 x ST4 x 25 Screws 4 x Plastic Anchors 1 x S3.0 Wrench |