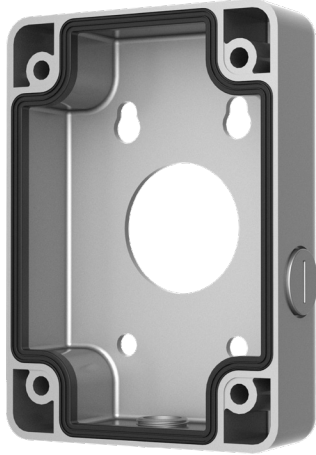


Junction Box

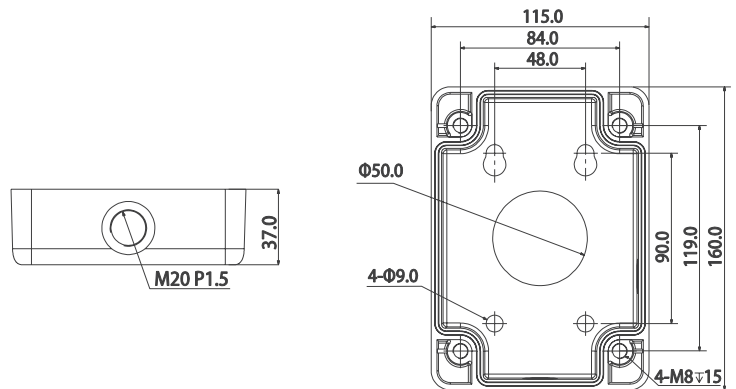


- Aluminum Construction
- 7.0 kg (15.43 lb) Load Bearing Capacity
- Compatible with DH-IPC-PFW8840N-A180

Technical Specifications

Material	Aluminum
Dimensions (W x H x D)	115.0 mm x 160.0 x 38.80 mm (4.53 in. x 6.30 x 1.53 in.)
Pipe Thread	M20 (G1/2 in.)
Weight	0.53 kg (1.17 lb)
Load Bearing Capacity	7.0 kg (15.43 lb)
Color	Silver-gray
Operating Temperature	-40 °C to 60 °C (-40 °F to 140 °F)
Humidity	< 90% RH
Compatibility	DH-IPC-PFW8840N-A180

Dimensions (mm)



Ordering Information

Type	Part Number	Description
Junction Box	DH-PFA120-SG	Junction Box, silver-gray