

PFA100

Mount Adapter



Features

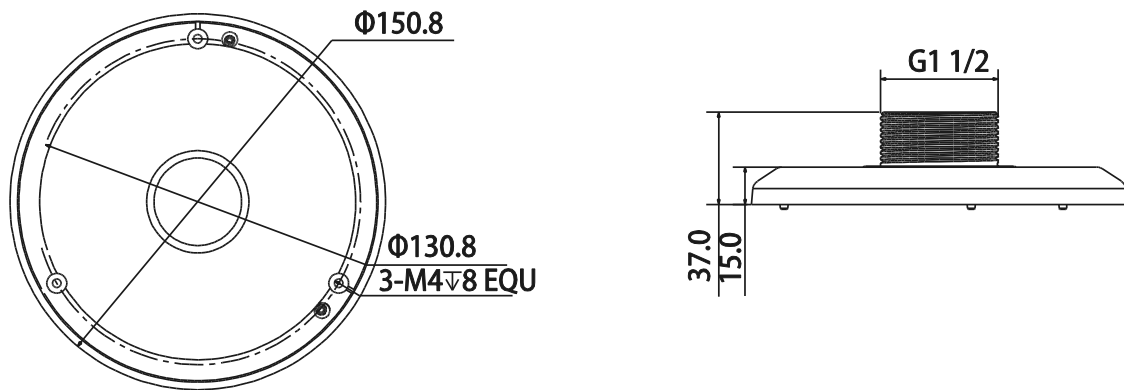
- Material: Aluminum
- Mount Adapter
- Neat & Integrated design

Specifications

Model	PFA100
General	
Material	Aluminum
Dimension (W x H x D)	φ150.8mm x 37mm
Pipe Thread	G1 1/2"
Operating Temperature	-40°C ~60°C
Humidity	0~90% RH
Load Bearing	3.0Kg
Weight	0.21Kg
Applicable Model	Please see "Accessory Selection"

PFA100

Dimensions (mm)



Application

