

4MP Network LumiNightKing Pan-Tilt Camera

P32-4NA16D



Key Features

- 4MP Full-Color Pan-Tilt Camera
- 16x Maximum Digital Zoom
- LumiNightKing: White-Light LEDs for Full-Color Video and Deterrence
- Video Content Analytics: Line Crossing, Intrusion
- Max. White-Light Illumination Distance: 30.5 m (100.0 ft)
- Two-Way Audio With Built-in Microphone and Speaker
- iMD, LumiTracking People

Certifications and Compliance

- NDAA Compliant
- FCC
- IC

Learn More



Learn more about this product's key technologies.



View all compatible accessories for this product.

Overview

The **P32-4NA16D** is part of Luminys's starter series of security devices. Starter series devices are designed with a curated selection of technologies and features to provide high-quality security without unnecessary or complicated add-ons.

Key Technologies

LumiNightKing technology provides flexible and reliable full-color video in near-dark conditions. These cameras support two modes: covert monitoring with no LEDs or dusk-to-dawn white-light LEDs for deterrent monitoring.

LumiTracking (People) technology enhances security and efficiency by automating tracking of people. It uses advanced AI algorithms to monitor and predict the direction and speed of moving targets, enabling quick response to potential issues for enhanced security and smooth operation.

Video Content Analytics (VCA) is the umbrella for line crossing and intrusion analytics. Line Crossing identifies when a person or object crosses a defined line. Intrusion detects when a person or object breaches the boundaries of a defined area or enters a restricted area. VCA is available on most Luminys network cameras.

Intelligent Motion Detection (iMD) technology accurately detects and filters humans and vehicle in a monitoring area. Using an advanced algorithm, iMD can accurately detect humans and vehicles while reducing false alarms caused by other objects, animals, or lighting. Users can be alerted to iMD events for timely security. iMD events can be saved for future reference and easily searched for at a later time for forensic analysis and to assist in investigations.

Specifications

Camera

Luminys Series	Starter
Image Sensor	1/1.8-in. 4MP Progressive CMOS
RAM/ROM	256 MB/256 MB
Maximum Resolution	2560 × 1440
Minimum Illumination	Color: 0.0005 Lux at F1.0 0 Lux With Illuminator On Supports LumiNightKing
Illuminators	Four (4) White-Light LEDs
Illuminator Control	Manual, Auto, Off
Maximum Illumination Distance	30.5 m (100.0 ft)
Electronic Shutter Speed	1/1 s to 1/30,000 s
Pan/Tilt	Pan: 0° to 345° Tilt: 0° to 90°
S/N Ratio	> 55 dB
Speed Adjustment	Supported
Power-Off Memory	Supported

Lens

Focal Length	3.6 mm
Aperature	F1.0
Field of View	Horizontal: 97° Vertical: 52° Diagonal: 114°
Close Focus Range	2.6 m (8.5 ft)
DORI Distance	Detect: 70.1 m (230.0 ft) Observe: 28.0 m (91.9 ft) Recognize: 14.0 m (45.9 ft) Identify: 7.0 m (23.0 ft)

Pan/Tilt

Range	Pan: 0° to 345° Tilt: 0° to 90°
Pan Speed	Manual Control: 0.1° to 34.5°/s Preset: 0.1° to 33.8°/s
Tilt Speed	Manual Control: 0.1° to 36.4°/s Preset: 0.1° to 36.3°/s
Preset	300
Scheduled Modes	Preset, Tour
Idle Modes	Preset, Tour

Video

Compression	Smart Encoding H.265+, H.265, Smart Encoding H.264+, H.264, MJPEG (Sub Stream Only)
Stream Capability	Two (2) Streams
Resolution	4MP (2560 × 1440), 1080p (1920 × 1080), 720p (1280 × 720), D1(704 × 480), VGA (640 × 480), CIF (352 × 240)
Maximum Frame Rate	Main Stream: 4MP/1080p/720p at 30 fps Sub Stream 1: D1/VGA/CIF at 30 fps
Video Bit Rate	H.265: 1,280 kbps to 9,216 kbps H.264: 3,072 kbps to 15,104 kbps
Bit Rate Control	CBR/VBR
Day/Night	Color, Black and White
Light Balancing	True WDR (120 dB), BLC, HLC

Video

White Balance	Automatic, Indoor, Outdoor, Tracking, Manual, Sodium Lamp, Natural Light, Street Lamp
Gain Control	Automatic, Manual
Noise Reduction	3D NR
Image Rotation	180°
Defog	Electronic
OSD Overlay	Channel, Time, Preset, PTZ Coordinates, Location, Custom
Digital Zoom	16x

Analytics

Video Content Analytics	Line Crossing, Intrusion
Intelligent Motion Detection	Supported with Alarms for Vehicles and Humans
LumiTracking (People)	Automatically Tracks a Target in Motion for an Allotted Amount of Time or Until the Target Exits the Scene

Audio

Compression	G.711a, G.711Mu, PCM, AAC
Interface	Input: Built-In Microphone Output: Built-In Speaker

Alarm

Event	Motion/Tampering Detection, Audio Detection, Network Disconnection Detection, IP Conflict Detection, Memory Card State Detection, Memory Space Detection
Linkage	Capture, Recoding, Send Email, Preset, Tour, Pattern, Alarm Digital Output, Audio

Network

Protocol	RJ-45 (10/100 Base-T)
Protocol	HTTP, HTTPS, TCP/IP, IPv4, RTSP, SMTP, NTP, DHCP, DNS, DDNS, IPv6, 802.1x, SSL, QoS, FTP, UPnP, SNMP, ARP, RTCP, RTP, PPPoE, RTMP, Bonjour, NFS, IEEE802.1x
Security	Username and Password, MAC Address, Allowlist and Blocklist, Firewall
Interoperability	ONVIF (Profile S/M/G/T), CGI, SDK, P2P, API
Browser	Chrome, Firefox, Safari, Edge
Client	LumiViewer, LumiViewer Mobile App
Storage	FTP/SFTP, NAS, Micro SD Card (Max. 512 GB)

Electrical

Power Supply	12 VDC 1A ± 10%, PoE (802.3af)
Power Consumption	PoE: 3.6 W (Basic), 9.5 W (Max. With Illuminator On)
Power Cable Length	0.4 m (0.9 ft)
Power Adapter	Optional



Construction

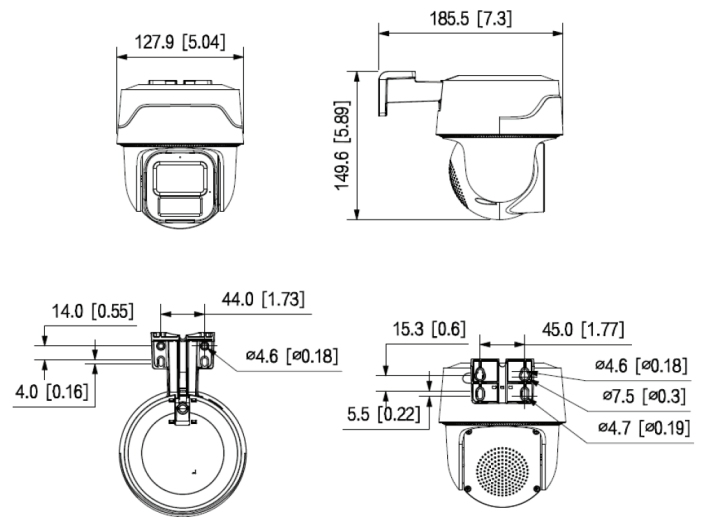
Net Weight	0.7 kg (1.5 lb)
Gross Weight	1.0 kg (2.2 lb)
Operating Temperature	-30 °C to +55 °C (-22 °F to +131 °F)
Protection Ratings	IP66
Product Dimensions	153.5 mm × Φ129.3 mm (6.0 in. × Φ5.1 in.)
Packaging Dimensions	173.0 mm × 171.0 mm × 213.0 mm (6.8 in. × 6.7 in. × 8.4 in.)
Material	Metal

Certifications and Compliance

Certifications	FCC
Compliance	NDAA

Dimensional Drawing

mm [in.]



Packaging Information

Included Components

Below are the included components when purchasing the product.

Quantity	Component
1	4MP Network LumiNightKing Pan-Tilt Camera (Luminys SKU: P32-4NA16D)
1	Wall Mount Bracket
1	Ceiling Mount Template
1	Wall Mount Template
1	Package of Mounting Components
1	Set of Screws (4)
1	Quick Start Guide
1	Regulatory Information