

Serial

I/O Interface

NOP-IO168S

Access Control DownStream I/O Panel



NOP-IO168S

Downstream Input/Output Panel (16 Supervised Inputs & 8 Outputs)

The NOP-IO168S is a downstream expansion board designed to enhance access control systems by providing seamless control over additional outputs, an extensive monitoring zone, or control elevator operations. The NOP-IO168S connects to the controller via serial communication and supports Offline Modes, ensuring essential access control functions and event reporting continue even during communication disruptions.



Device Key Features

- Highly Secure
 - Secure Boot
 - Firmware & Data Encrypted-at-rest
 - Fully encrypted communications
- Offline Mode with event buffer
 - Maintain access-control functionality when offline from controller
- 16 Supervised Alarm Inputs
 - Supervised high-precision inputs with hardware and software filtering to eliminate false alarms
- 8 Relay Outputs
- Status and Diagnostic LEDs

Access Control Characteristics

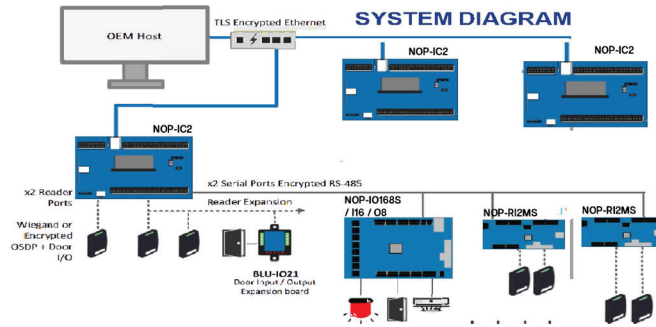
- Occupancy Management
- Elevator Control (Up to 128 Floors)
- Host-Controlled Access Request

NOP-IO168S

NOP-IO168S

Access Control Downstream Input/Output Panel

Specifications



GENERAL	
Operating Temperature	-40°C~+80°C (-40°F~+176°F)
Weight	0.4lbs (181.5 Grams)
Dimensions	8" x 6" x .88" (203.2mm x 152.4mm x 22.35mm)
Regulatory Compliance	CE Compliant, UL 294, 294B, 2610, 1076, ULC / ORD C1076 & 60839-11-1, FCC Part 15 Class A RoHS
SECURITY	
Security	<ul style="list-style-type: none"> Secure Boot Firmware & Data Encrypted-at-rest OSDP Secure Channel with custom keys AES 128/256 - SHA256
ONBOARD I/O	
Outputs	8 - Form-C Relay Outputs 2A @ 30VDC MAX rating
Expandable I/O Port	1 - Plug-in Module Port for +8 relay expansion module
Unsupervised Inputs	2 - Unsupervised Inputs for Cabinet Tamper & Power Failure
Supervised Inputs	16 - Supervised or Unsupervised Configurable Inputs <ul style="list-style-type: none"> Supervised high-precision inputs with hardware and software filtering to eliminate false alarms
Serial Port	1 - Upstream, RS485 Serial Comm Ports <ul style="list-style-type: none"> Multi-drop up to 16 IO and/or Reader Interface Boards 9,600 to 115,200 baud rate 2-Wire Interface
Dip Switches	1 - Dip Switch Bank for configuring Hardware Interfaces & Serial Comms
POWER	
Input Power (VIN)	12-24VDC; Operating current: 240mA max <ul style="list-style-type: none"> 350mA max with relay expansion module