

MNT-IPMINIDOME-WALL-B-V2

Waterproof Wall mount bracket

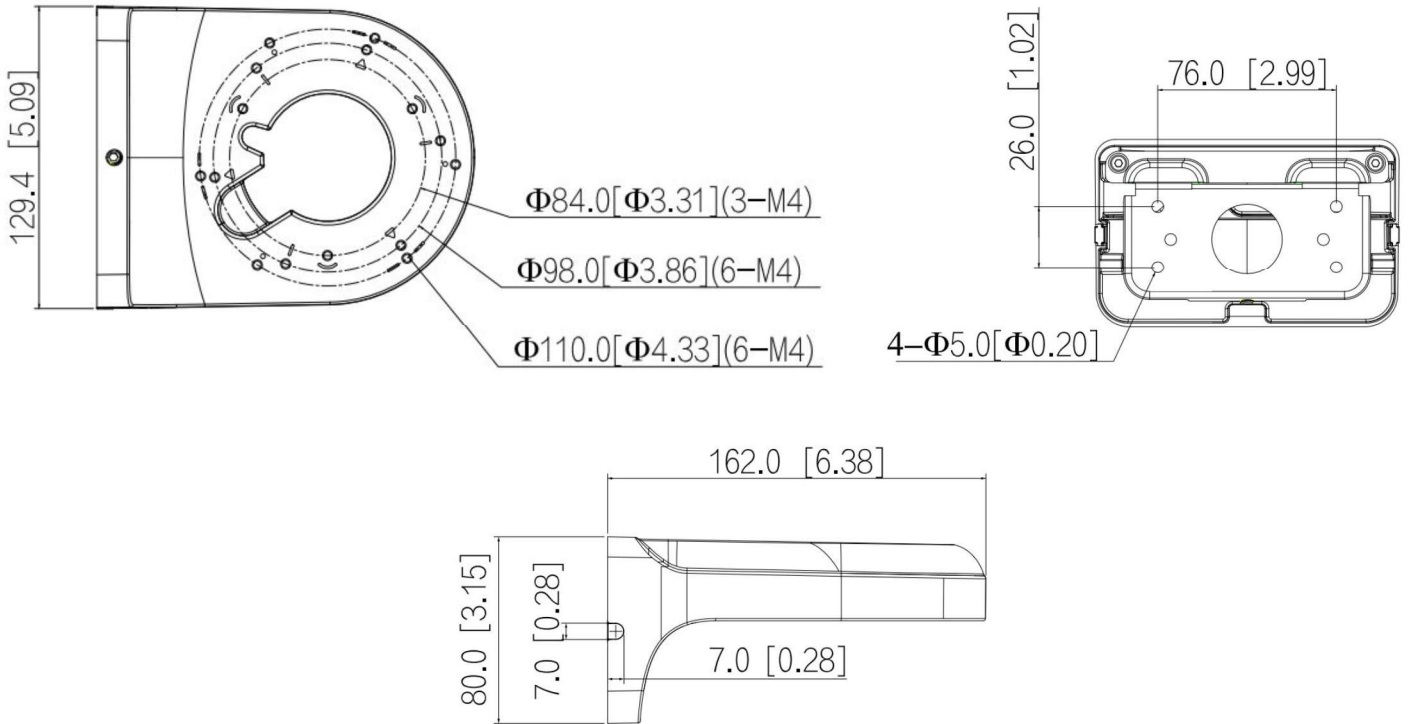


- Aesthetic design
- Material: Aluminum & SECC
- Waterproof wall mount bracket

Technical Specification

Model	MNT-IPMINIDOME-WALL-B-V2
Physical Properties	
Material	Aluminum & SECC
Installation	Wall mount
Dimension(W xH xD)	6.38" × 5.09" × 3.15" (162.0 mm × 129.4 mm × 80.0 mm)
Net Weight	1.06 lb (0.48 kg)
Gross Weight	1.23 lb (.56 kg)
Load Bearing	2.20 lb(1 kg)
Color	Black
Operating Temperature	-40°F~-140°F (-40°C~-60°C)
Humidity	<90% RH

Dimensions (mm/in)



Application

