

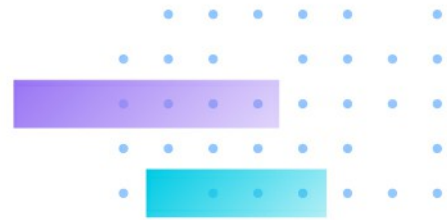
MD9584-H

Mobile Dome Network Camera

H.265 • 5MP 30fps • WDR Pro • 50M IR • IP6K9K • IK10+ • EN50155 • -40°C ~ 70°C

- Designed for Vehicle Exterior Monitoring
- Support High Resolution up to 30 fps @ 2560x1920
- Support High Frame Rate up to 60 fps @ 1920x1080
- H.265 Compression Technology with Smart Stream III
- WDR Pro for Unparalleled Visibility in High Contrast Environments
- Built-in IR Illuminators, Effective up to 50 Meters
- Weather-proof IP6K9K/IP68-rated, Vandal-proof IK10+ and NEMA 4X-rated Housing
- De-icing Function with Front Glass
- EN50155 2017 OT4 Compliance for Professional Mobile Surveillance
- Cyber Protection via Trend Micro IoT Security





Technical Specifications

System Information

Model	MD9584-H(3.6mm) MD9584-H(6mm)
CPU	Multimedia SoC (System-on-Chip)
Flash	8 GB
RAM	2 GB

Camera Features

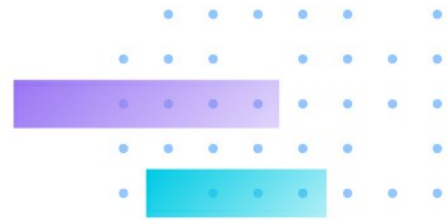
Image Sensor	1/2.7" Progressive CMOS
Max. Resolution	2560x1920 (5MP)
Lens Type	Fixed-focal
Focal Length	MD9584-H(3.6mm): f = 3.6 mm MD9584-H(6mm): f = 6 mm
Aperture	MD9584-H(3.6mm): F2.0 MD9584-H(6mm): F2.0
Iris Type	Fixed Iris
Field of View	MD9584-H(3.6mm): 83° (Horizontal) 61° (Vertical) 111° (Diagonal) MD9584-H(6mm): 50° (Horizontal) 37° (Vertical) 63° (Diagonal)
Shutter Time	1/5 sec. to 1/32,000 sec.
WDR Technology	WDR Pro
Day/Night	Yes
Removable IR-cut Filter	Yes
IR Illuminators	Built-in IR illuminators, effective up to 50 meters with Smart IR II, IR LED*4
Minimum Illumination	MD9584-H(3.6mm): 0.1 lux @ F2.0 (Color) 0.01 lux @ F2.0 (B/W) 0 lux with IR illumination on MD9584-H(6mm): 0.1 lux @ F2.0 (Color) 0.01 lux @ F2.0 (B/W) 0 lux with IR illumination on
Tilt Range	0~30°
Rotation Range	± 90°
Pan/Tilt/Zoom Functionalities	ePTZ: 48x digital zoom (4x on IE plug-in, 12x built-in)
Storage	Seamless Recording to MicroSD/SDHC/SDXC card slot and recording to network-attached storage (NAS)

Video

Video Compression	H.265, H264, MJPEG
Maximum Frame Rate	30 fps @ 2560x1920 60 fps @ 1920x1080
Maximum Streams	3 simultaneous streams (Up to 8 configurable profiles)
S/N Ratio	MD9584-H(3.6mm): 55 dB MD9584-H(6mm): 80 dB
Dynamic Range	120 dB
Video Streaming	Adjustable resolution, quality and bit rate, Smart Stream III
Image Settings	General settings: video title and time stamp overlay, video orientation (flip, mirror, rotation), day/night settings; Illuminators: illuminators, anti-overexposure; Image settings: white balance, image adjustment (brightness, contrast, saturation, sharpness, gamma curve), defog, 3DNR, HLM, EIS, scene mode (SignalLight,RailTrack); Exposure: BLC, HLC, exposure control (exposure level, iris adjustment, exposure time, gain control, iris mode), AE speed adjustment, WDR; Privacy mask; Scheduled profile settings

Audio

Audio Capability	Two-way audio (Full duplex)*
------------------	------------------------------



Audio Compression	G.711, G.726
-------------------	--------------

Audio Interface	External microphone input* External line output* * Requires optional cable
-----------------	--

Network

Users	Live viewing for up to 10 clients
-------	-----------------------------------

Security	Access list, digest authentication, HTTPS , IEEE 802.1x, Password protection, secure boot, signed firmware, Trend Micro IoT Security (brute force attack event, cyberattack event, quarantine event), user access log, user account management
----------	--

Protocols	802.1X, ARP, Bonjour, CIFS/SMB, CoS, DDNS, DHCP, DNS, FTP/SFTP, HTTP, HTTPS, ICMP, IGMPv3, IPv4, IPv6, NTCIP, NTP, PPPoE, QoS, RTSP/RTP/RTCP, SMTP, SNMP, SSL, TCP/IP, TLS, UDP, UPnP
-----------	---

Interface	10Base-T/100 BaseTX Ethernet (M12, Female, 4pin D-coded)
-----------	--

ONVIF	Profile G, S, T supported, specification available at www.onvif.org
-------	--

Solution Integration

Smart Motion Detection	Five-window video motion detection, people detection, time filter
------------------------	---

VADP Package	Smart Motion Detection, Trend Micro (3-year free trial)
--------------	---

Alarm and Event

Event Trigger	Audio detection, camera tampering detection, cybersecurity events (brute force attack event, cyberattack event, quarantine event), digital input, manual trigger, motion detection, periodical trigger, recording notification, SD card life expectancy, shock detection, system boot
---------------	---

Event Action	Event notification via audio clip, camera link, digital output, email, HTTP, FTP/SFTP, NAS server, SD card, push notification File upload via email, HTTP, FTP/SFTP, NAS server, SD card
--------------	---

General

Connectors	M12 4pin D-coded, Female connector for 10/100Mbps Network/PoE connection M12 5pin A-coded, Male connector for DC 24V heater
------------	--

Connectors	External Microphone input * External line output * Digital input * Digital output* * Requires optional cable
------------	--

LED Indicator	System power and status indicator
---------------	-----------------------------------

Power Input	Camera: IEEE 802.3af PoE Class 0 Heater: DC 24V
-------------	--

Power Consumption	Camera: Max. 10.26 W/ 6.08 W (IR on/off) Heater: 24 W
-------------------	--

Dimensions	122 x 180 x 59 mm
------------	-------------------

Weight	812 g
--------	-------

Casing	IP68, IP6K9K, NEMA 4X, IK10+ casing with AR-coated glass
--------	--

Certifications	EMC: CE (EN 55035, EN 55032 Class A), FCC (FCC Part 15 Subpart B Class A), RCM (AS/NZS CISPR 32 Class A), VCCI (VCCI-CISPR 32 Class A); Safety: UL (UL 62368-1), CB (IEC/EN 62368-1, IEC/EN 60950-22, IEC/EN 62471); Environment: IK10+ (IEC 62262), IP68/6K9K (IEC 60529), NEMA (NEMA 250 Type 4X); Railway: EN 50155: 2017 (OT4/ST1) , EN 50121-3-2:2016, EN 60068-2-1:2007, EN 60068-2-2:2007, EN 61373:2010, EN 45545-2, IEC 60571 Ed 3.0, IEC 62236-3-2 Ed 3.0); Vehicles: ECE R118; BI: BSMI (EMC: CNS 13438, Safety: CNS 14336-1)
----------------	--

Operating Temperature	Starting Temperature: -40°C ~ 70°C (-40°F ~ 158°F) Working Temperature: -40°C ~ 60°C (-40°F ~ 140°F) (IR on) -40°C ~ 70°C (-40°F ~ 158°F) (IR off)
-----------------------	--

Humidity	98% RH (non-condensing)
----------	-------------------------

Warranty	36 months
----------	-----------

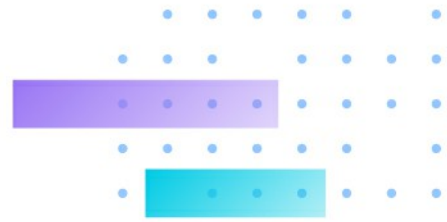
System Requirements

Operating System	Microsoft Windows 10/8/7 Mac 10.12 (Chrome only)
------------------	---

Web Browser	Chrome 58.0 or above Internet Explorer 10/11
-------------	---

Other Players	VLC: 1.1.11 or above
---------------	----------------------

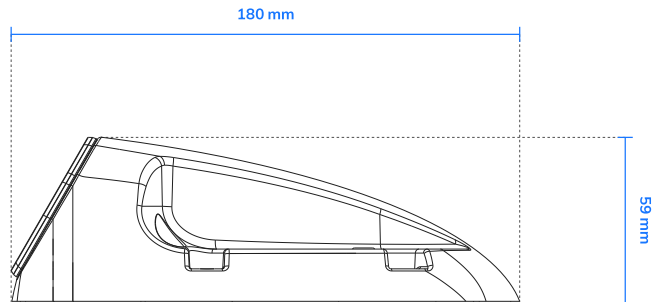
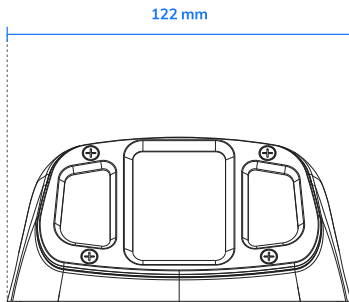
Included Accessories



Packing Contents

Quick installation guide, alignment sticker, screwdriver, accessories bag

Dimensions



VIVOTEK

All specifications are subject to change without notice. Copyright©VIVOTEK INC. All rights reserved. Ver. 3

6F, No.192, Lien-Cheng Rd., Chung-Ho, New Taipei City, 235, Taiwan, R.O.C. | T: +886-2-82455282 | F: +886-2-82455532 | E: sales@vivotek.com | W: www.vivotek.com